

[54] MOUNTING STAND FOR ATTACHING AN ACCESSORY TO AN ENGINE

[76] Inventor: James J. Feuling, 686 Ash Ave., Chula Vista, Calif. 92010

[\*\*] Term: 14 Years

[21] Appl. No.: 959,433

[22] Filed: Nov. 9, 1978

[51] Int. Cl. .... D15-01

[52] U.S. Cl. .... D15/5

[58] Field of Search ..... D15/5; 123/198 R; 248/676

[56] References Cited

U.S. PATENT DOCUMENTS

3,363,616 1/1968 Baumgarten ..... 123/198 R

Primary Examiner—James M. Gandy  
Attorney, Agent, or Firm—Frank D. Gilliam

[57] CLAIM

The ornamental design for a mounting stand for attaching an accessory to an engine, substantially as shown and described.

DESCRIPTION

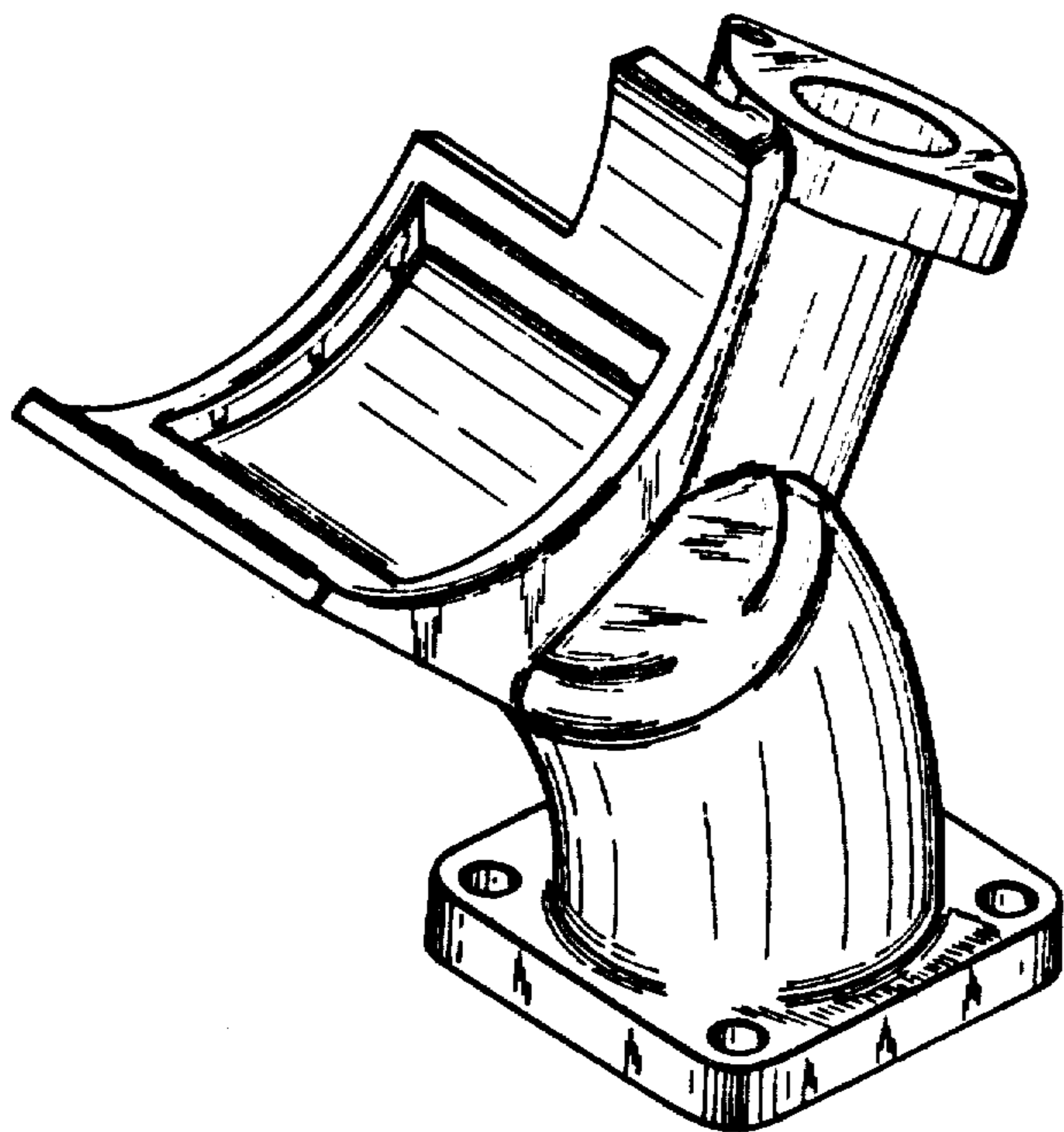
FIG. 1 is a front perspective view of the mounting stand for attaching an accessory to an engine showing my design;

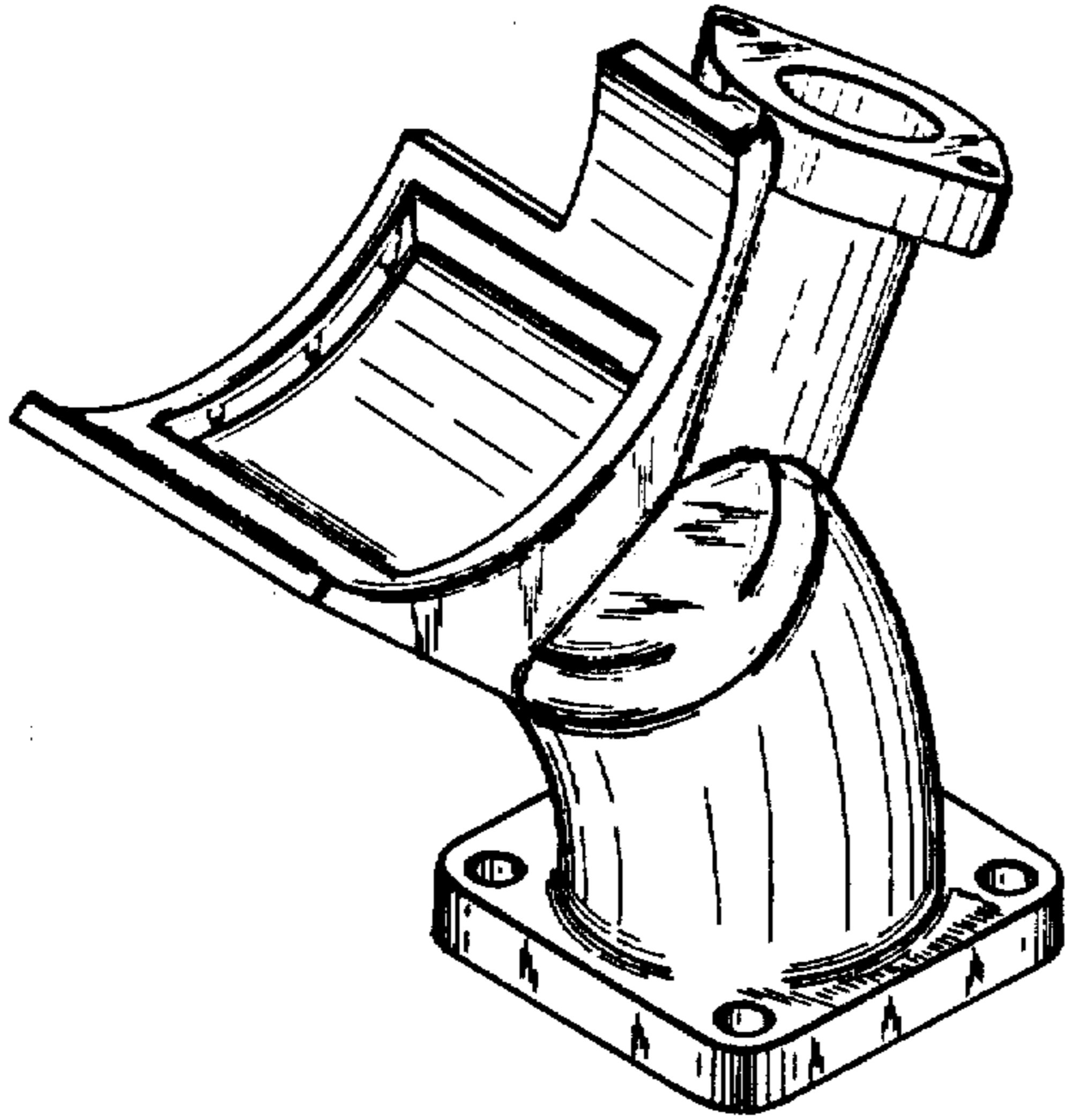
FIG. 2 is an end elevation view thereof;

FIG. 3 is a side elevation view thereof;

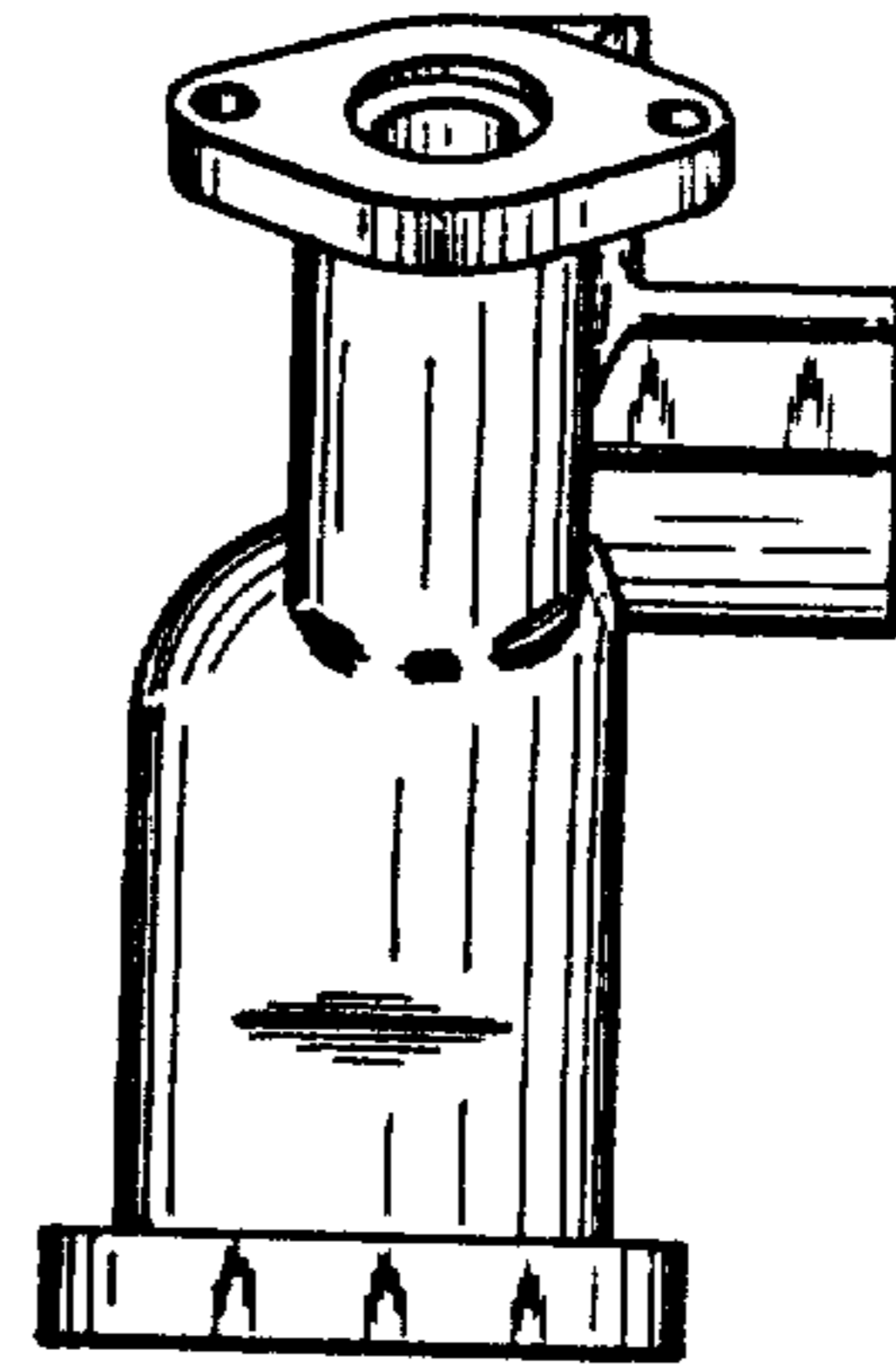
FIG. 4 is a bottom plan view thereof; and

FIG. 5 is a perspective view of a mounting stand for attaching an accessory to an engine showing a second embodiment of my new design, it being understood that the difference resides in the concave upper support surface being smooth.

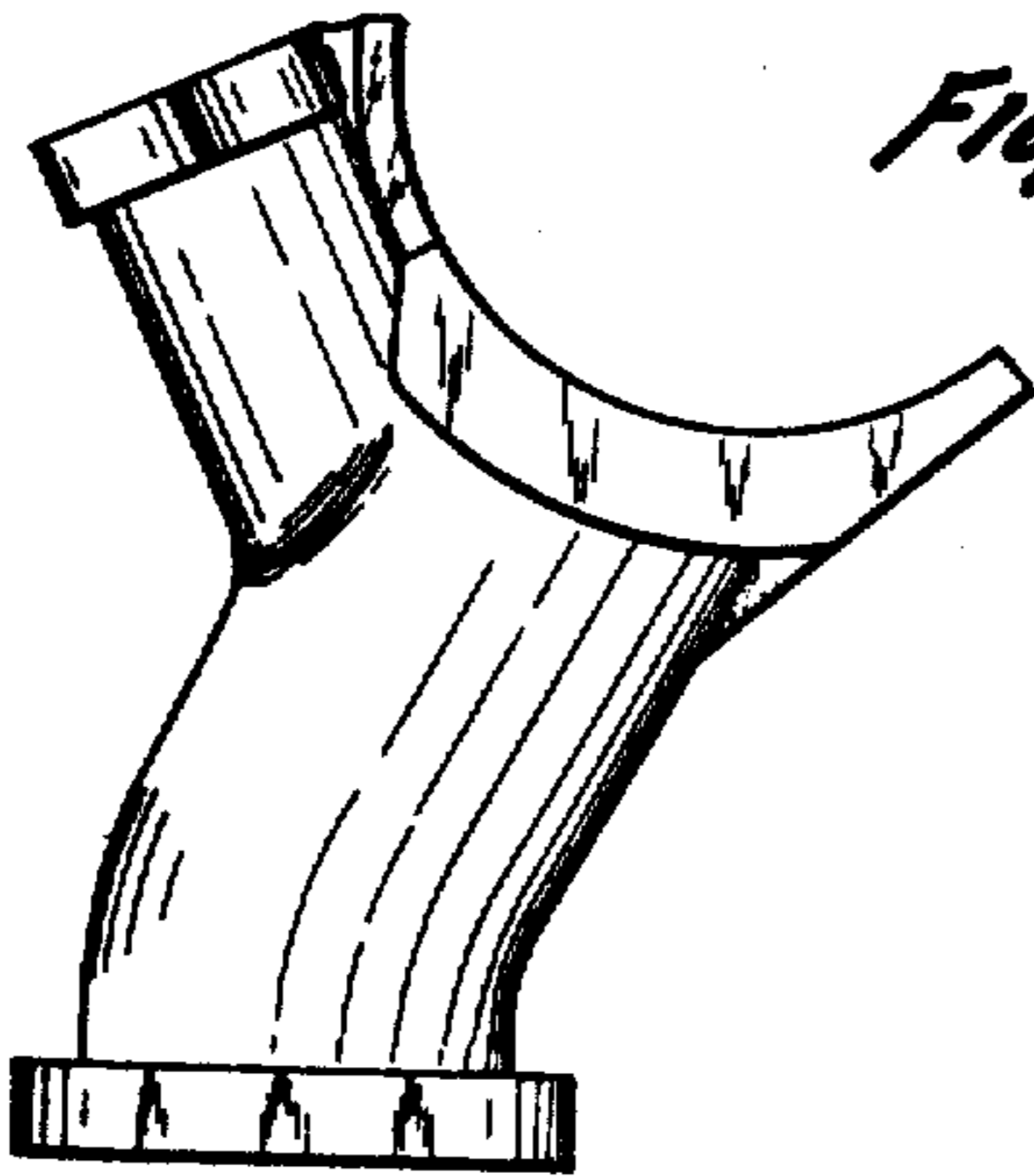




*Fig. 1*

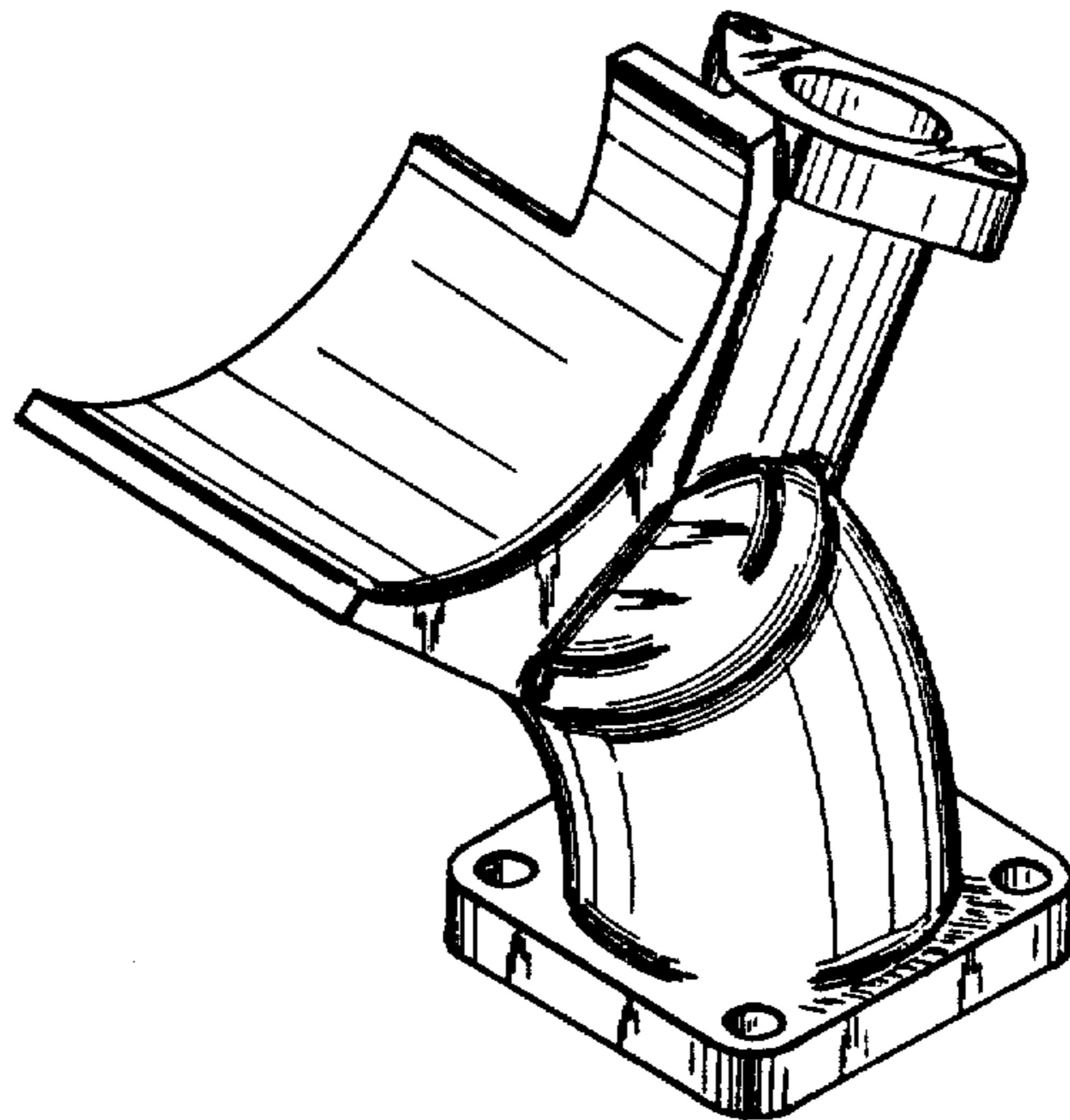


*Fig. 2*



*Fig. 3*

*Fig. 5*



*Fig. 4*

