

[54] SHEET FEEDER

[75] Inventor: Loren D. Stirling, Pleasanton, Calif.

[73] Assignee: Qume Corporation, San Jose, Calif.

[\*\*] Term: 14 Years

[21] Appl. No.: 897,658

[22] Filed: Apr. 18, 1978

[51] Int. Cl. .... D14-02

[52] U.S. Cl. .... D14/114; D14/111

[58] Field of Search ..... D14/40-50;  
D18/11, 13, 18, 22, 23; 400/599, 596, 600, 604,  
606, 625, 629, 642, 645, 647

[56] References Cited

FOREIGN PATENT DOCUMENTS

2606697 1/1977 Fed. Rep. of Germany ..... 400/625

Primary Examiner—Susan J. Lucas  
Attorney, Agent, or Firm—I. Keschner

[57] CLAIM

The ornamental design for a sheet feeder, as shown and described.

DESCRIPTION

FIG. 1 is a perspective view of a sheet feeder showing my new design;

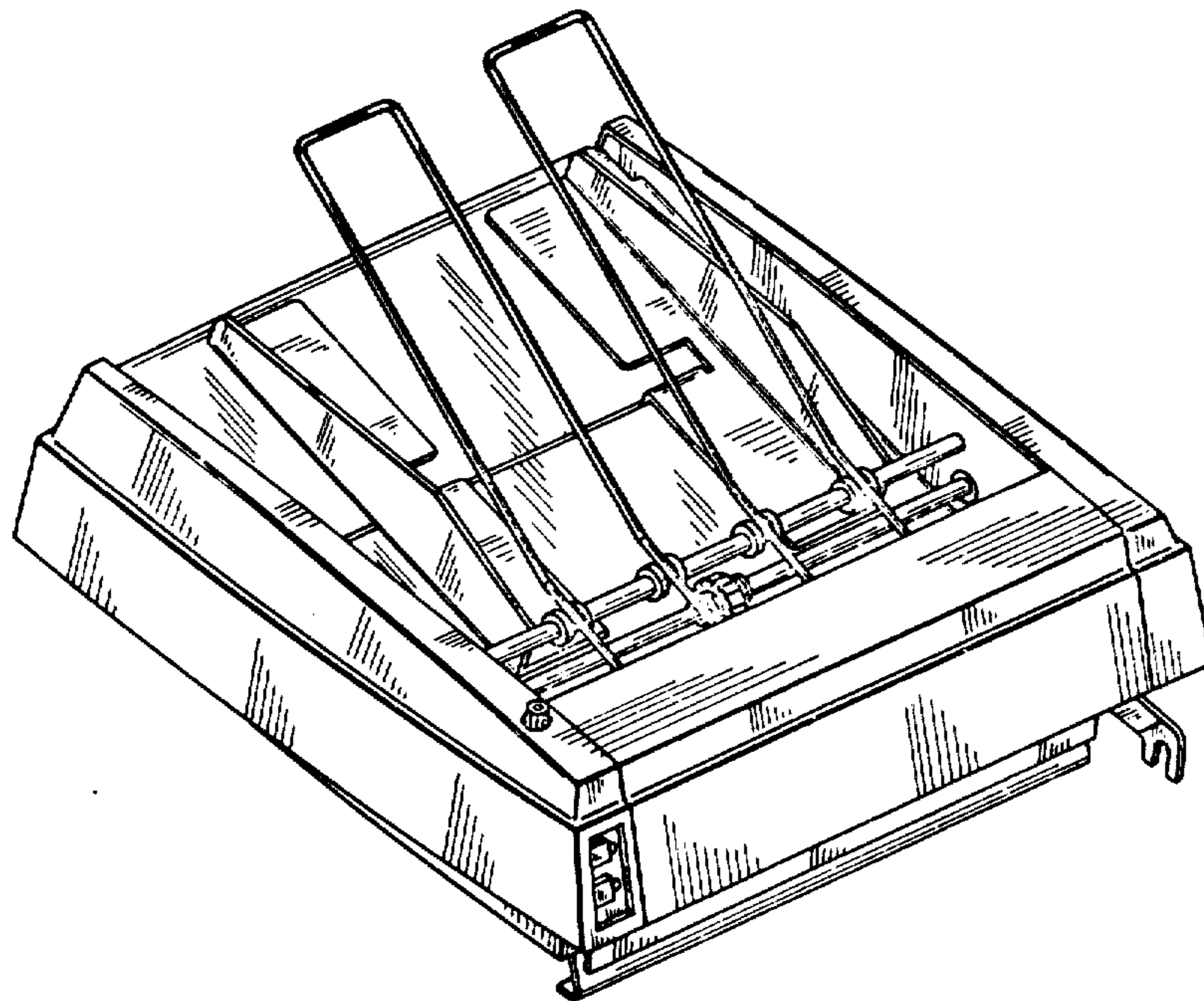
FIG. 2 is a side view of the sheet feeder on a large scale with respect to FIG. 1;

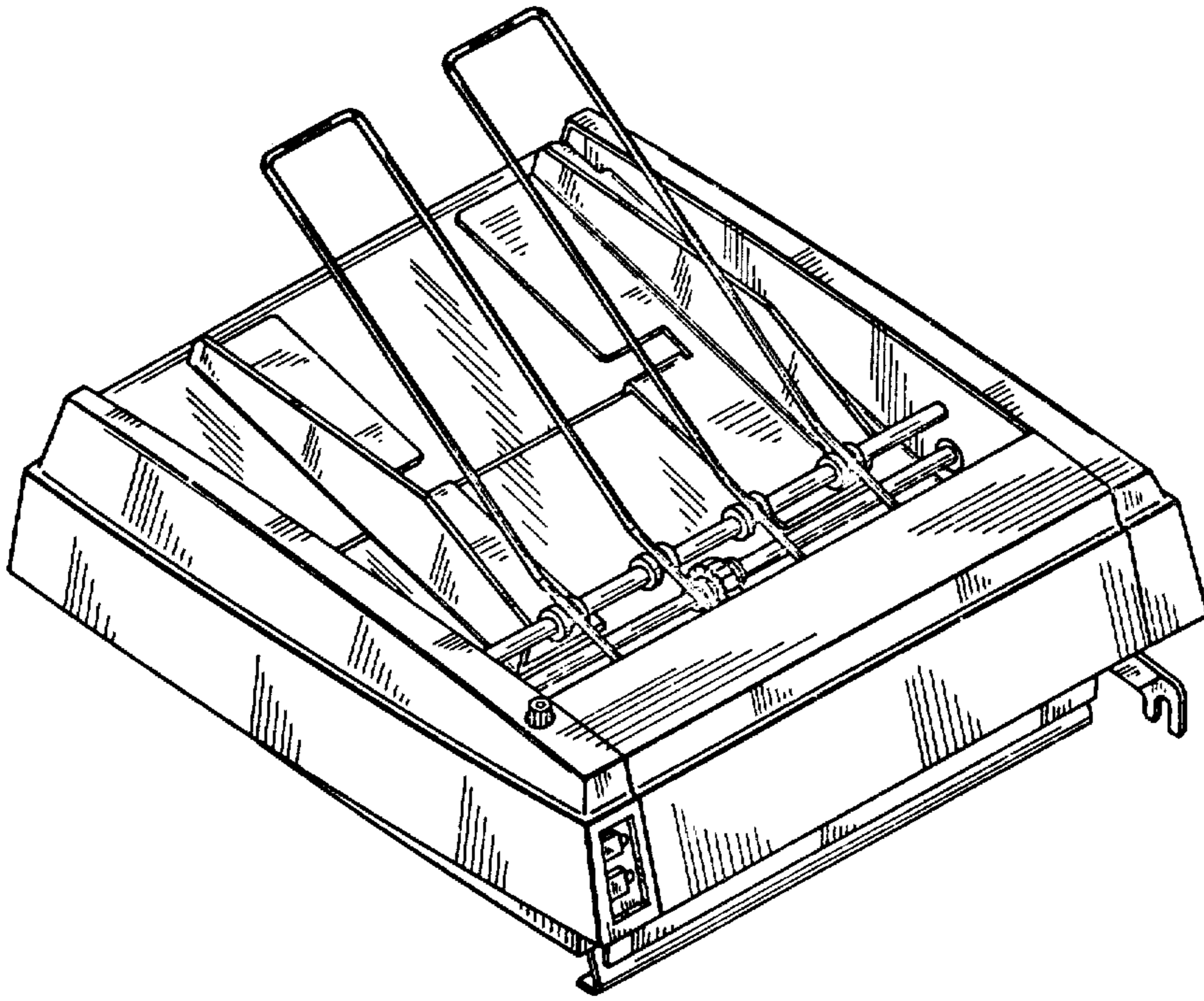
FIG. 3 is a top view of the sheet feeder on a large scale with respect to FIG. 1;

FIG. 4 is a front view of the sheet feeder on a large scale with respect to FIG. 1;

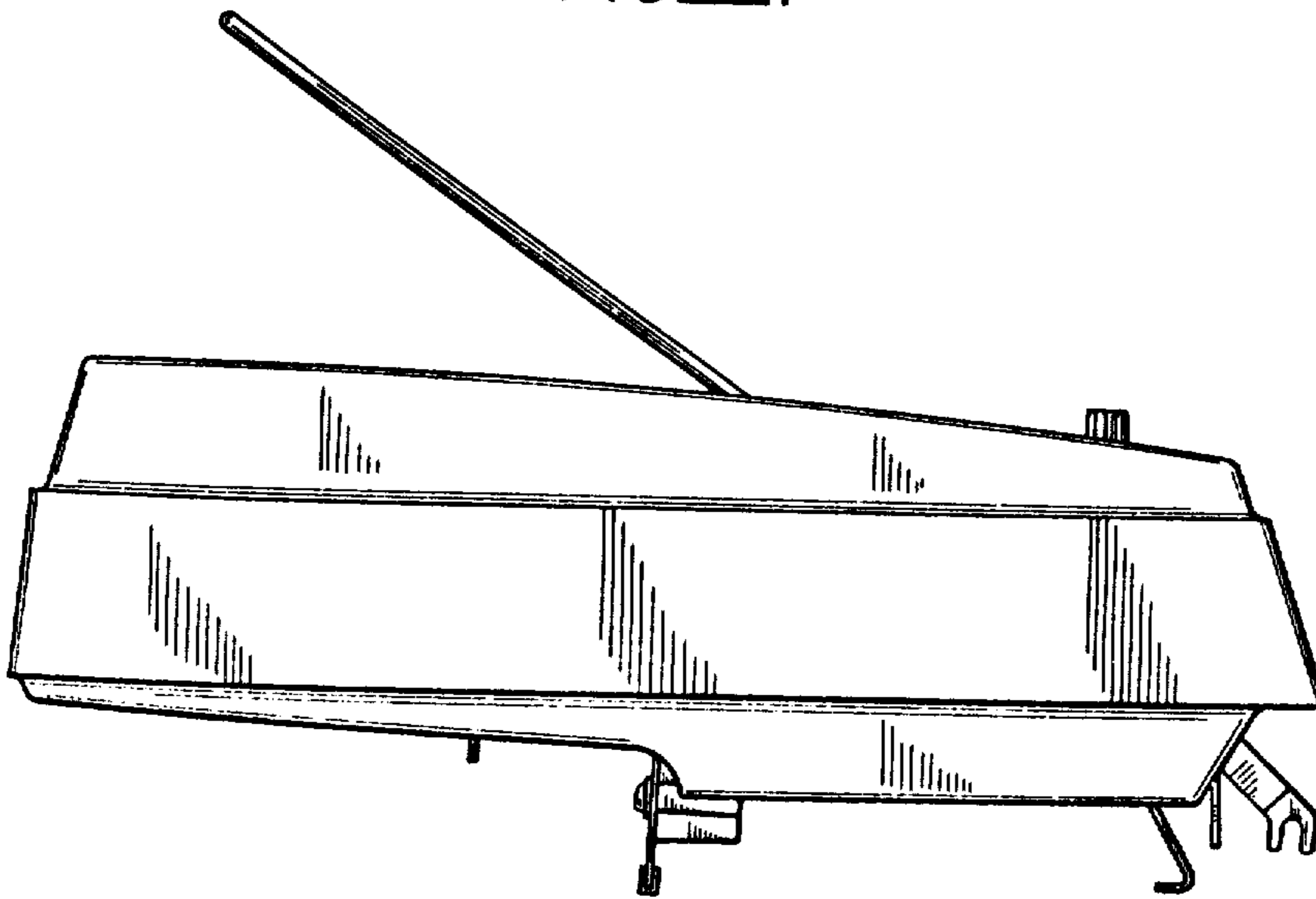
FIG. 5 is a rear view of the sheet feeder on a large scale with respect to FIG. 1; and

FIG. 6 is a bottom view of the sheet feeder on a large scale with respect to FIG. 1.

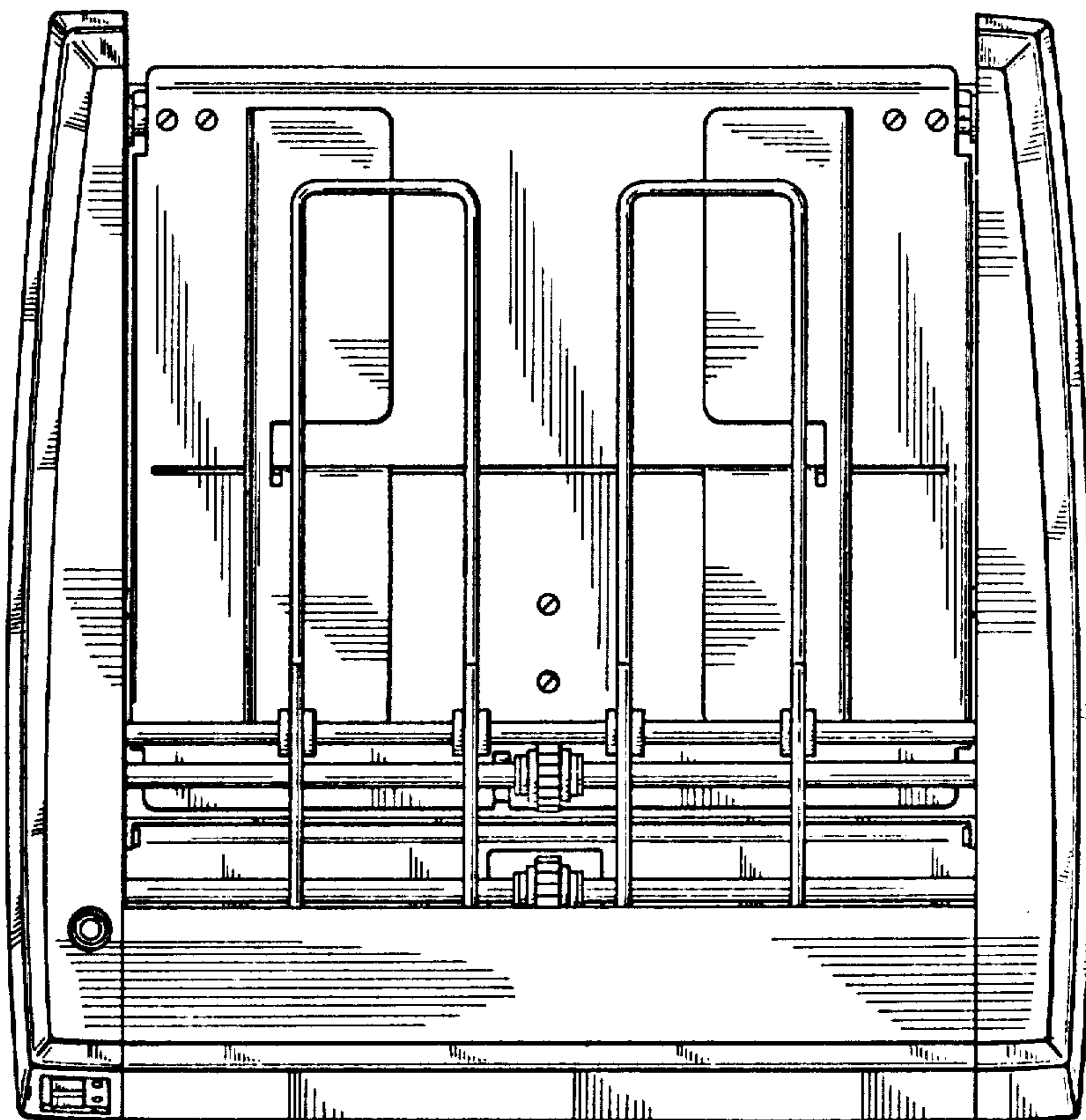




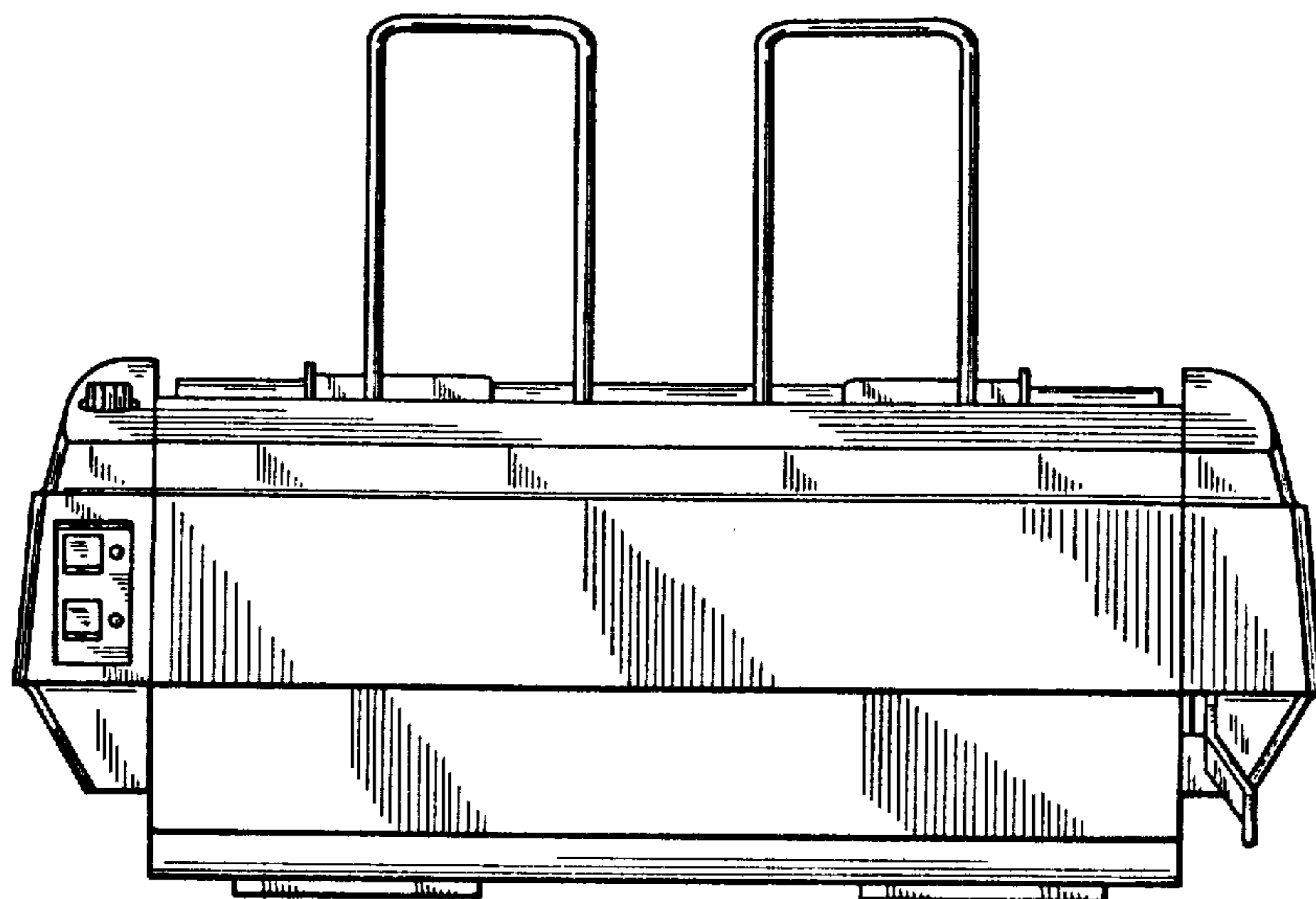
FIG\_1



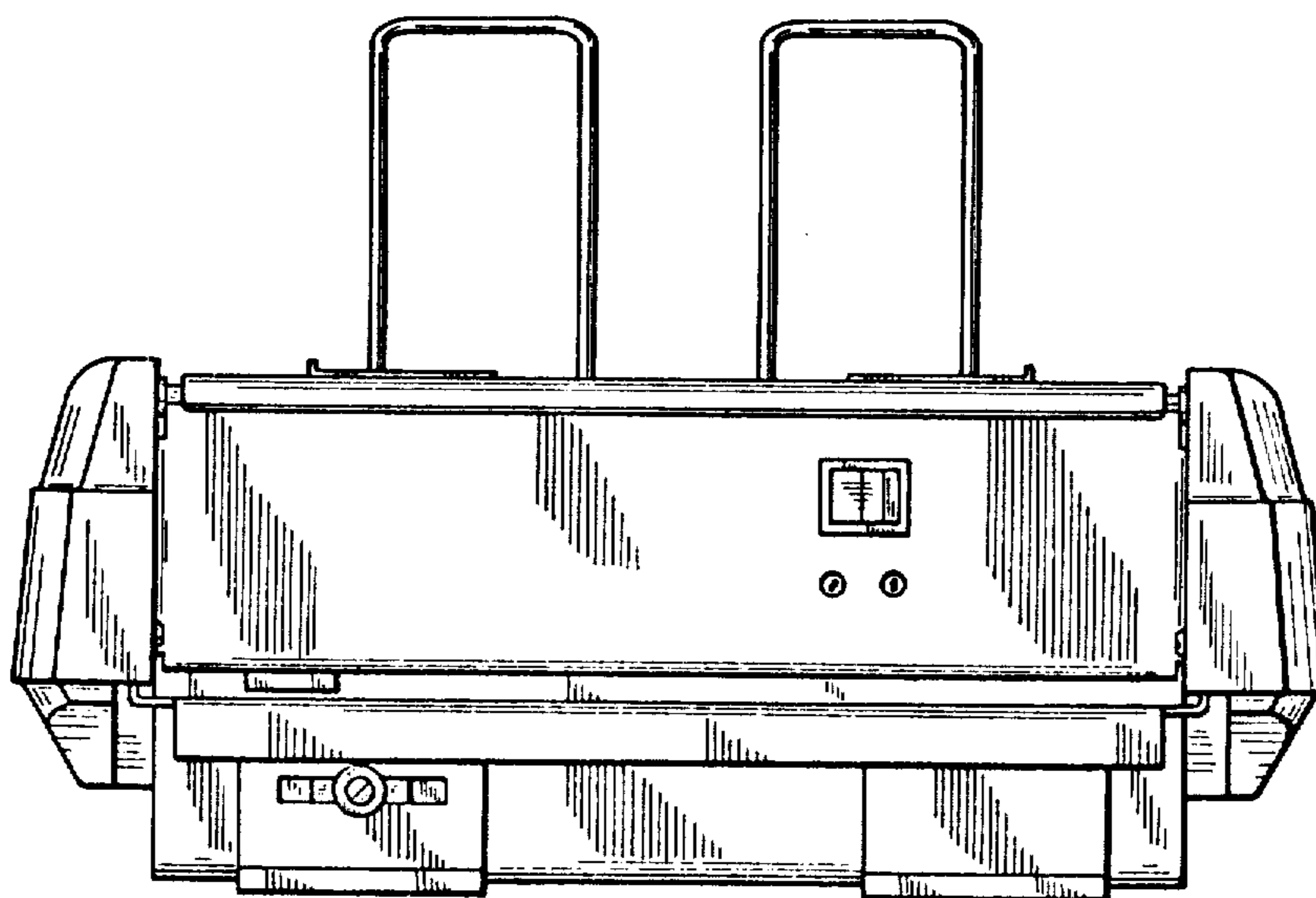
FIG\_2



FIG\_3

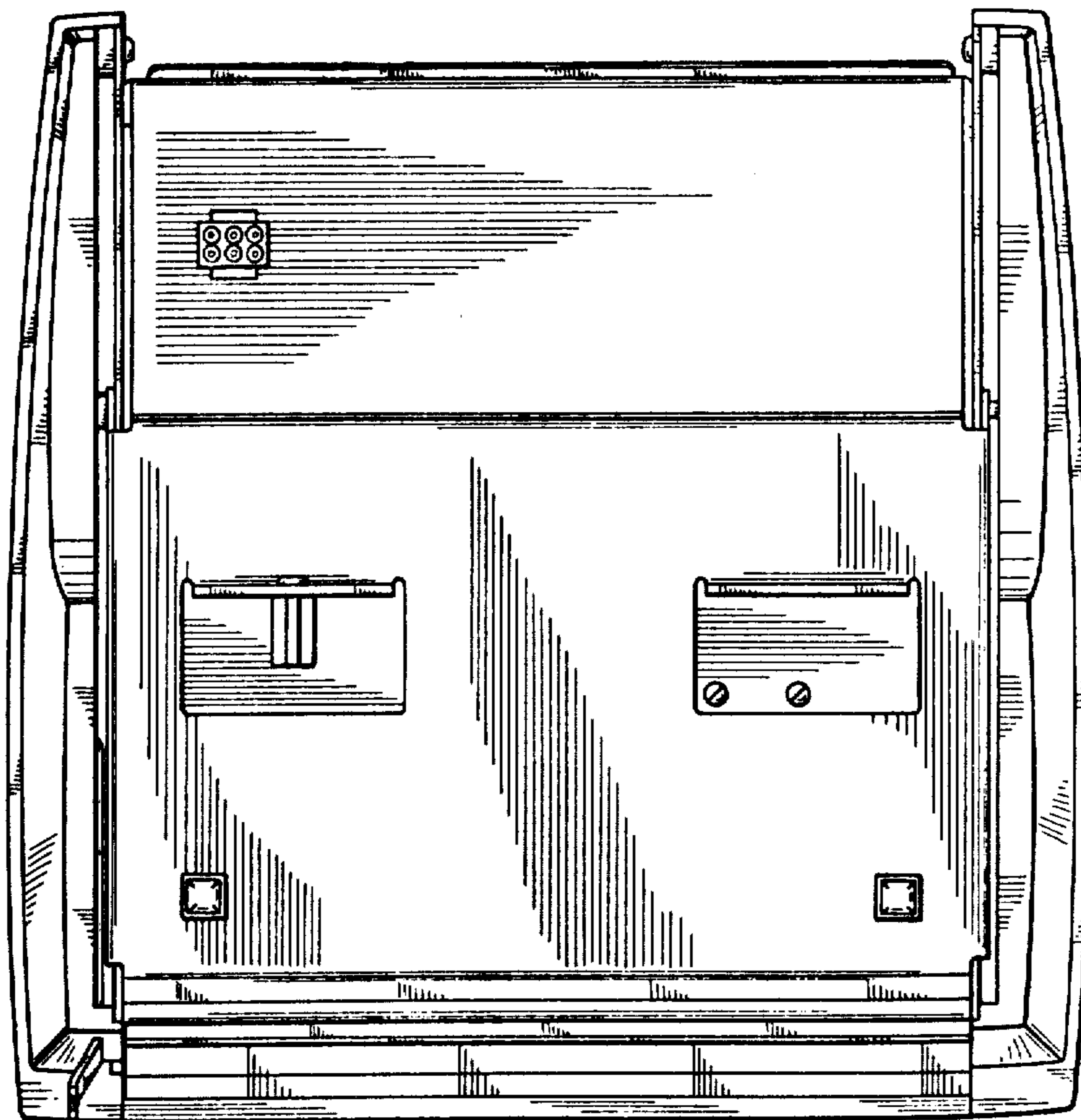


FIG\_4



FIG\_5





FIG\_6