

- [54] MEMORY MODULE HOUSING
- [75] Inventors: Kevin P. McKinsey, Scotts Valley;
James C. Asher, San Jose, both of
Calif.
- [73] Assignee: Atari, Inc., Sunnyvale, Calif.
- [**] Term: 14 Years
- [21] Appl. No.: 22,572
- [22] Filed: Mar. 22, 1979
- [51] Int. Cl. D14—01; D16—99
- [52] U.S. Cl. D14/11
- [58] Field of Search D3/35; 206/387; D14/11;
242/199, 198, 197; 360/93, 132, 134; 174/52 R;
361/399

D. 232,775	9/1974	Eloranta	D14/11
D. 248,470	7/1978	Talesfore	D14/11
3,925,820	2/1976	Matsumoto	D14/11 X
4,149,027	4/1979	Asher	174/52 R

Primary Examiner—Bernard Ansher
Attorney, Agent, or Firm—Townsend and Townsend

[57] CLAIM

The ornamental design for a memory module housing, as shown and described.

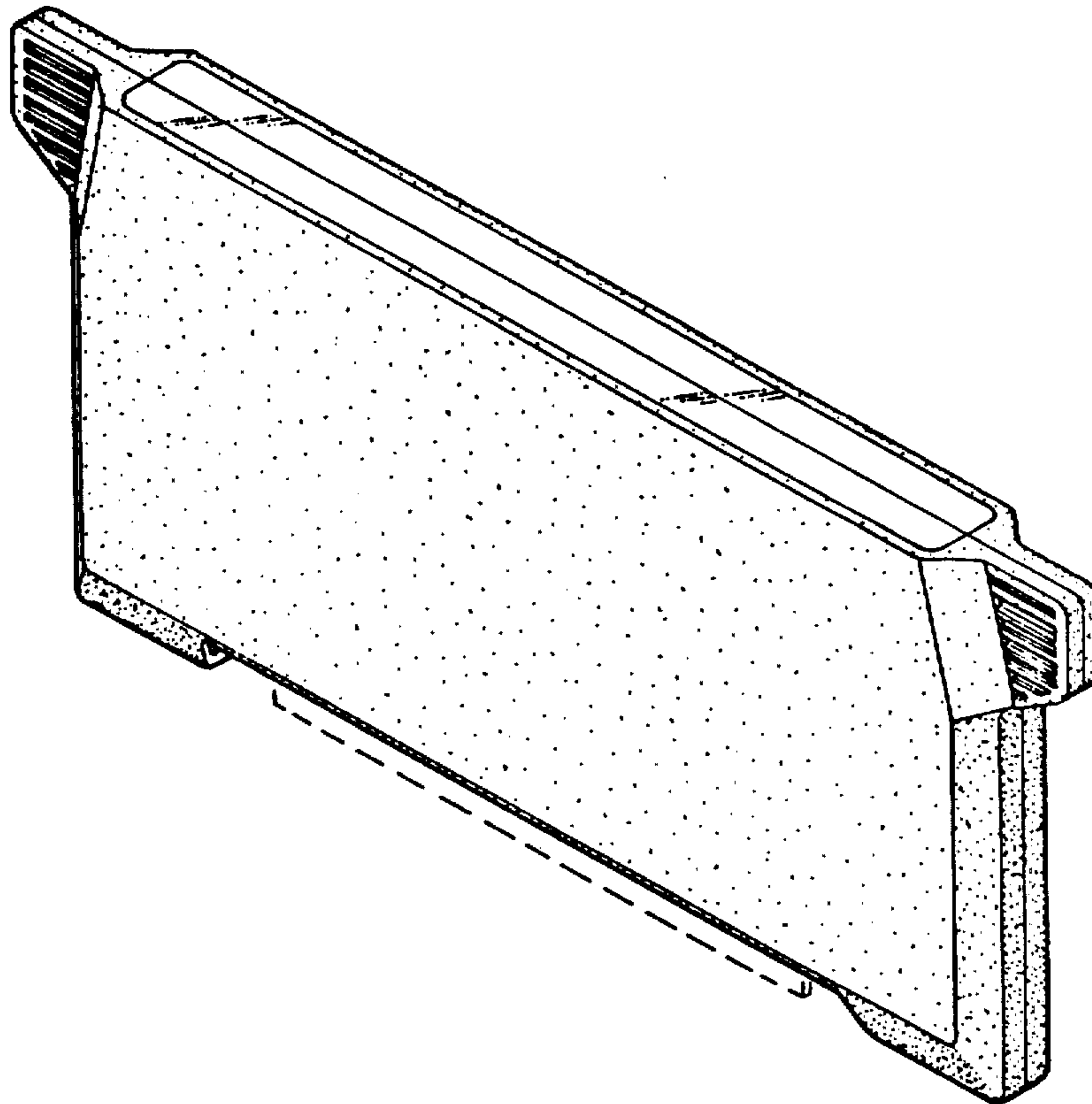
DESCRIPTION

FIG. 1 is a perspective view of a memory module housing, showing our new design;
FIG. 2 is a top plan view of the housing;
FIG. 3 is a front view of the housing;
FIG. 4 is a right side view of the housing;
FIG. 5 is a rear view of the housing; and
FIG. 6 is a bottom plan view of the housing.
The left side view is a mirror image of the right side view of FIG. 4.
The broken lines are shown for illustrative purposes only.

[56] References Cited

U.S. PATENT DOCUMENTS

D. 212,619	11/1968	Merry et al.	D14/11
D. 230,891	3/1974	Muramatsu et al.	D14/11



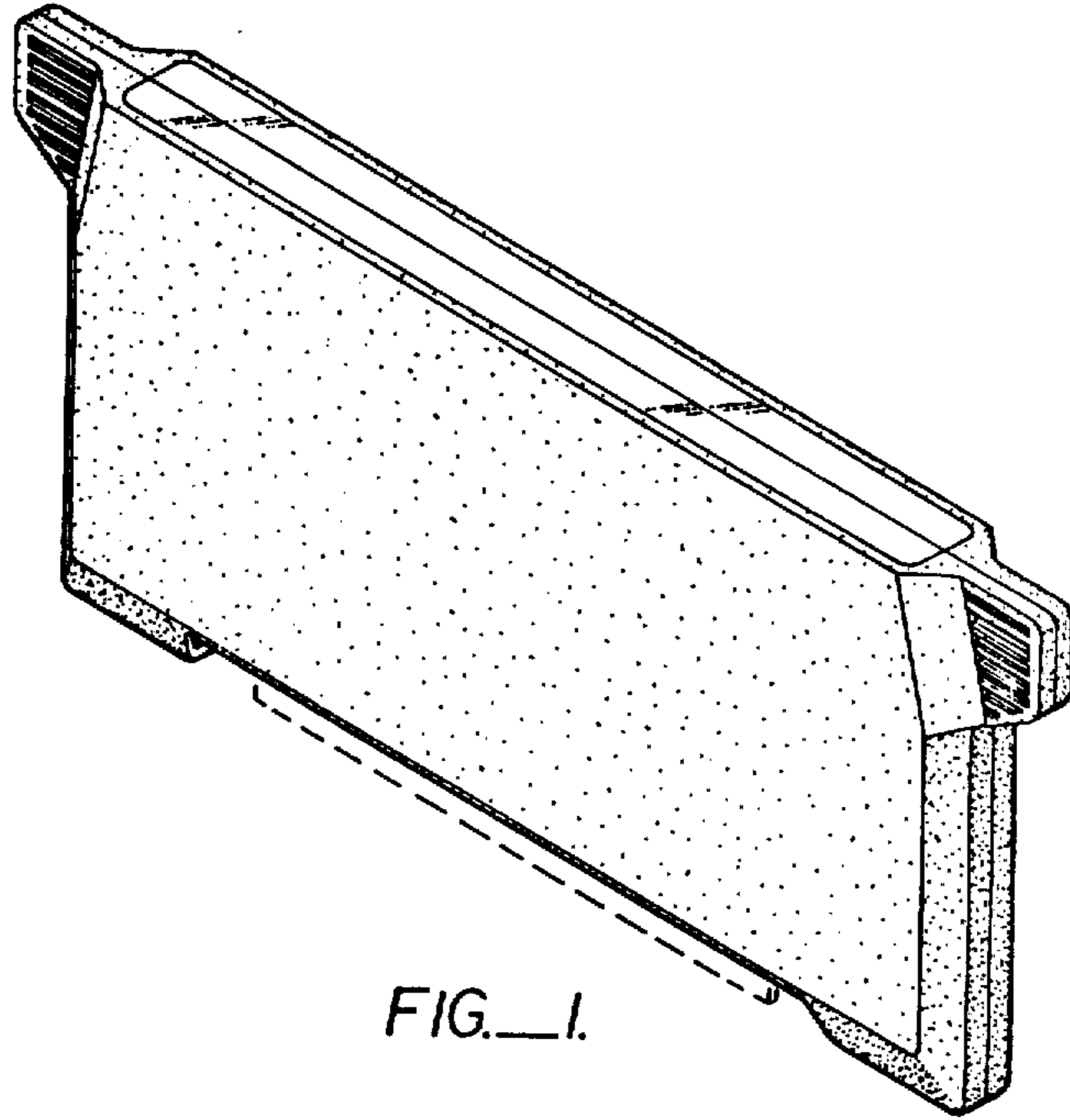


FIG. 1.

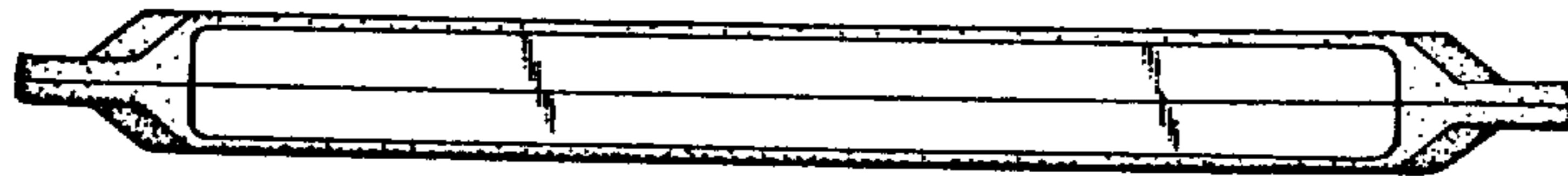


FIG. 2.

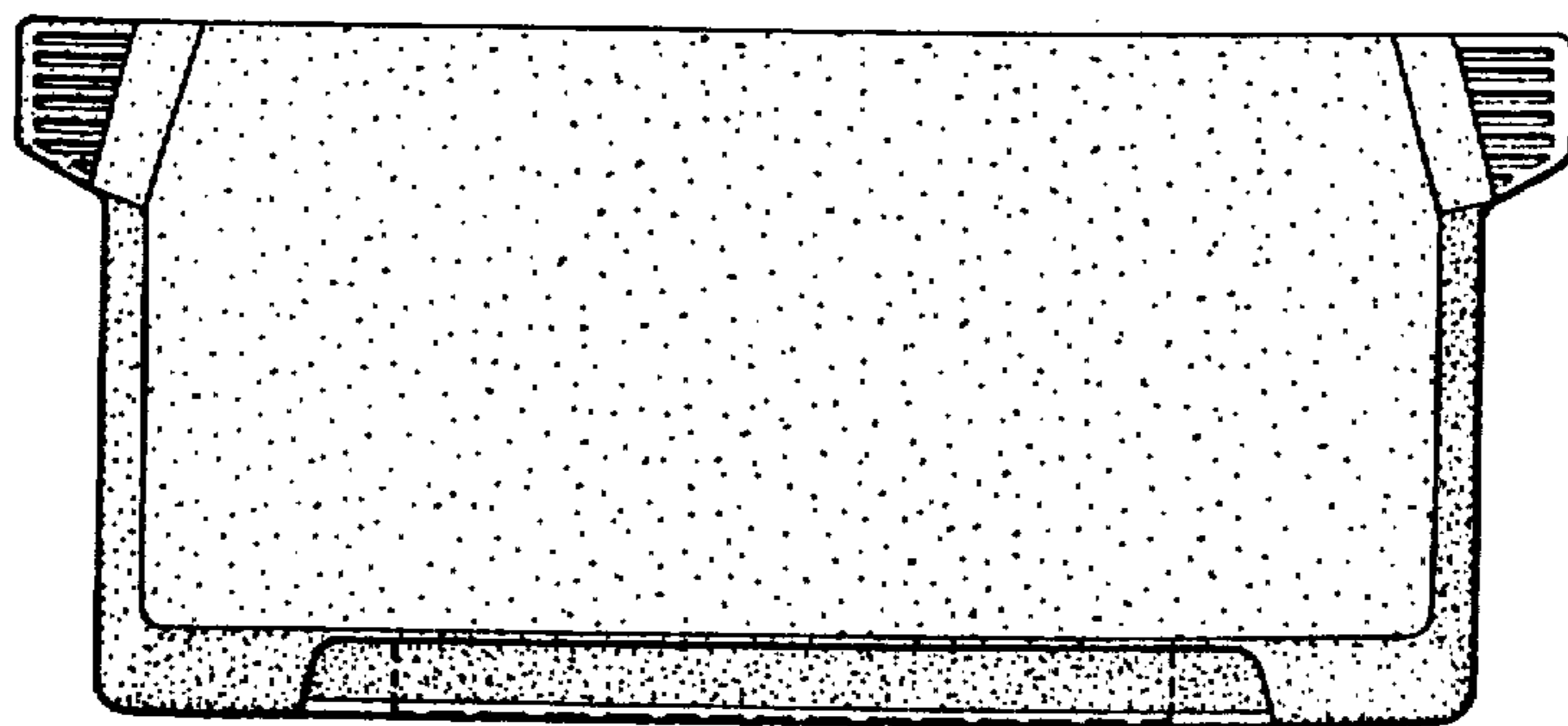


FIG. 3.

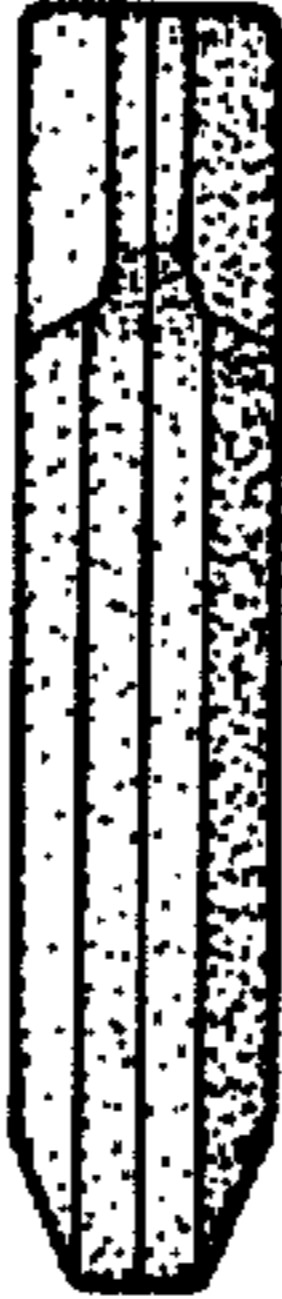


FIG._4.

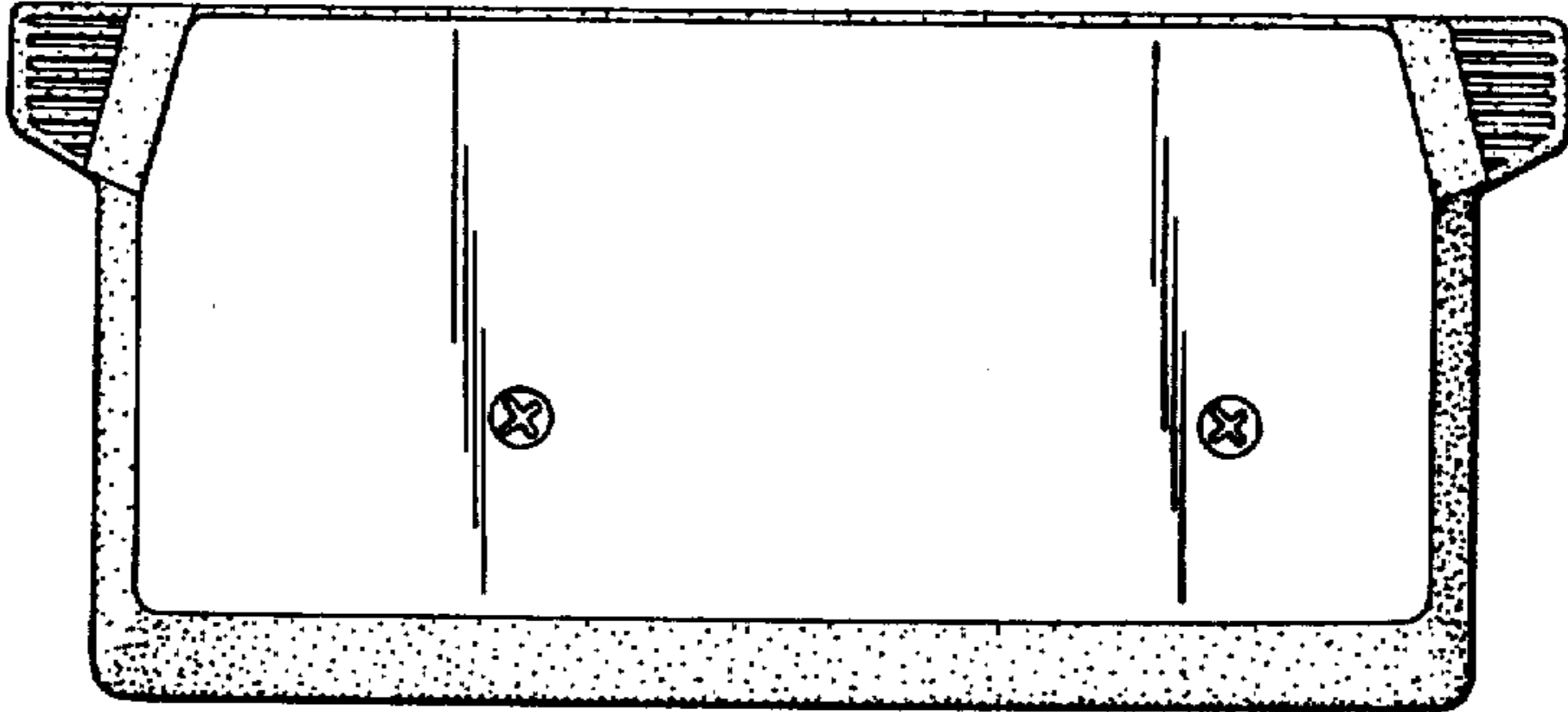


FIG._5.

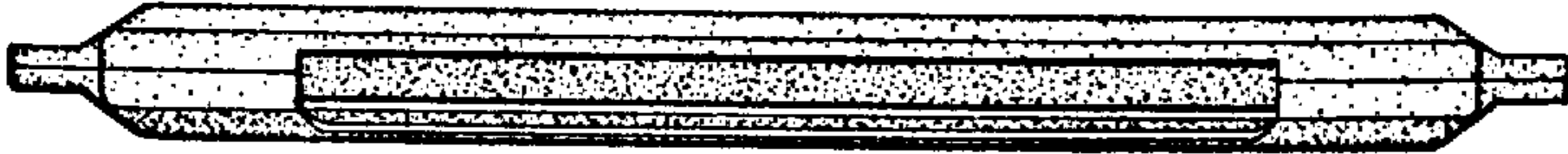


FIG._6.