

[54] BELT MOUNTED REMOTE RADIO TRANSMITTER FOR SIGNALLING AN OPERATOR OF HEAVY EQUIPMENT

[75] Inventor: Bernd U. Luwe, Scarborough, Canada

[73] Assignee: Motorola, Inc., Schaumburg, Ill.

[**] Term: 14 Years

[21] Appl. No.: 970,422

[22] Filed: Dec. 18, 1978

[51] Int. Cl. D10-06; D14-03

[52] U.S. Cl. D10/121; D14/95

[58] Field of Search D10/104, 106, 121, 116; D14/95; 455/92, 98, 100, 127, 128; 340/311, 345, 384

[56] References Cited

U.S. PATENT DOCUMENTS

3,183,443 5/1965 Lefevre 455/100
3,289,085 11/1966 Leland 455/95

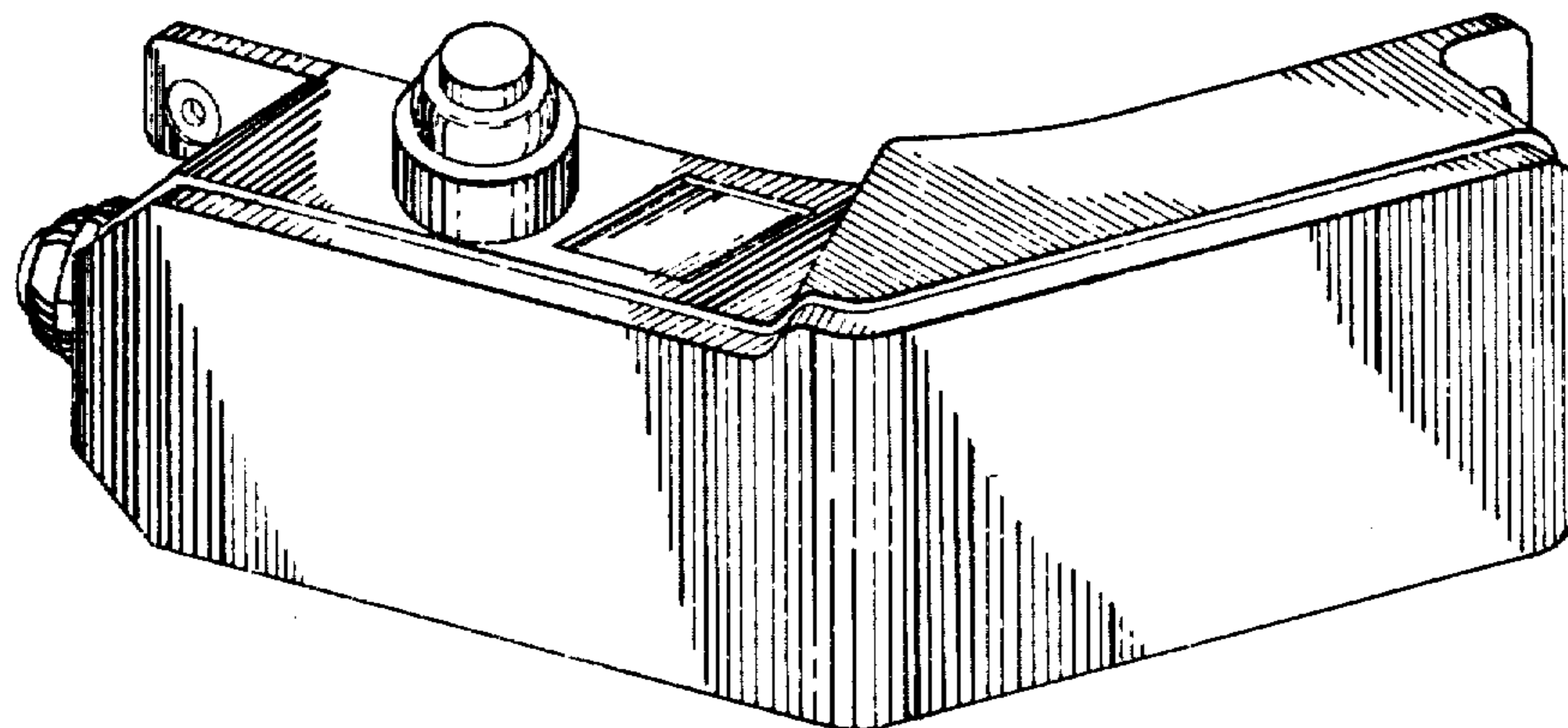
Primary Examiner—Susan J. Lucas
Attorney, Agent, or Firm—Rolland R. Hackbart; James W. Gillman

[57] CLAIM

The ornamental design for a belt mounted remote radio transmitter for signalling an operator of heavy equipment, substantially as shown and described.

DESCRIPTION

FIG. 1 is a top perspective view of a belt mounted remote radio transmitter for signalling an operator of heavy equipment showing my new design; FIG. 2 is a left side elevational view thereof; FIG. 3 is a right side elevational view thereof; FIG. 4 is a rear elevational view thereof; and FIG. 5 is a bottom plan view thereof.



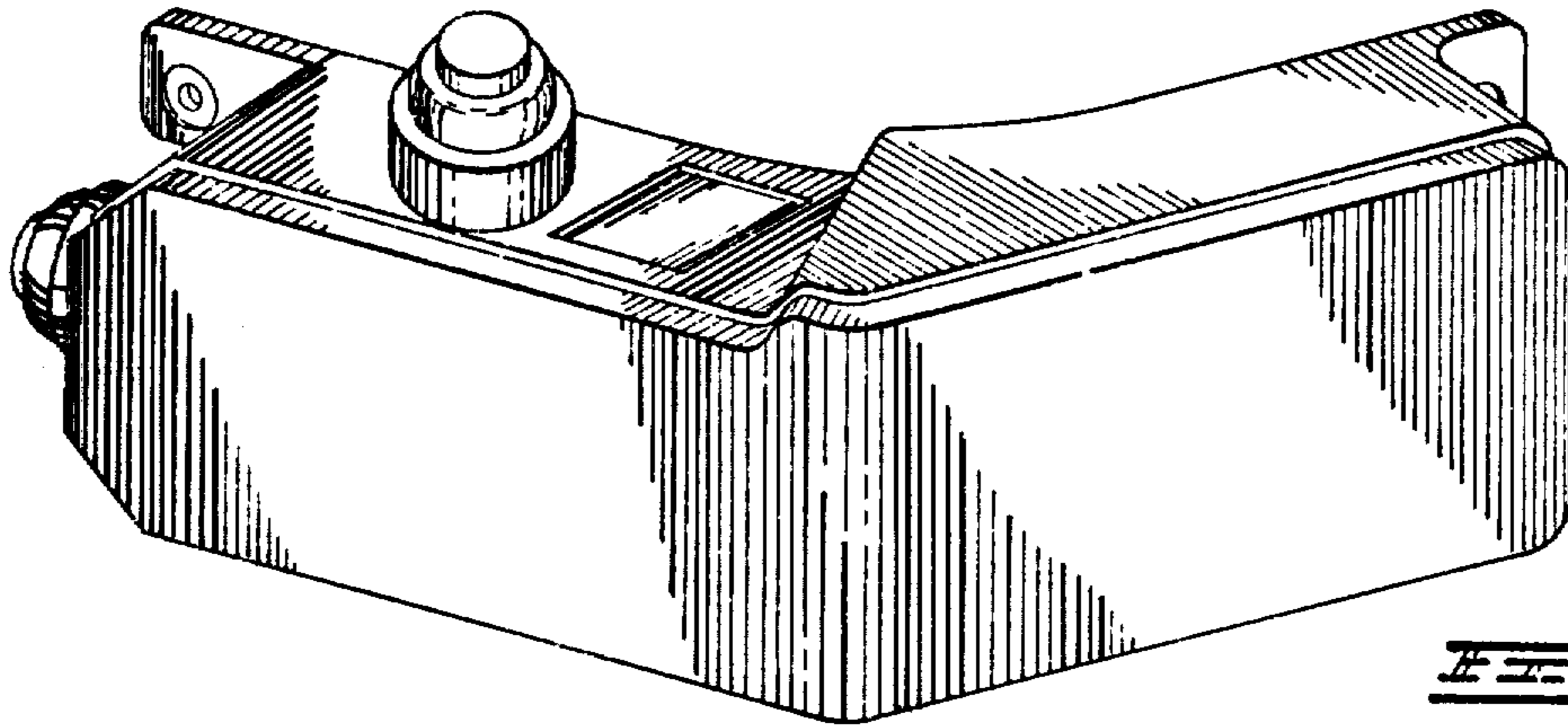


Fig. 1

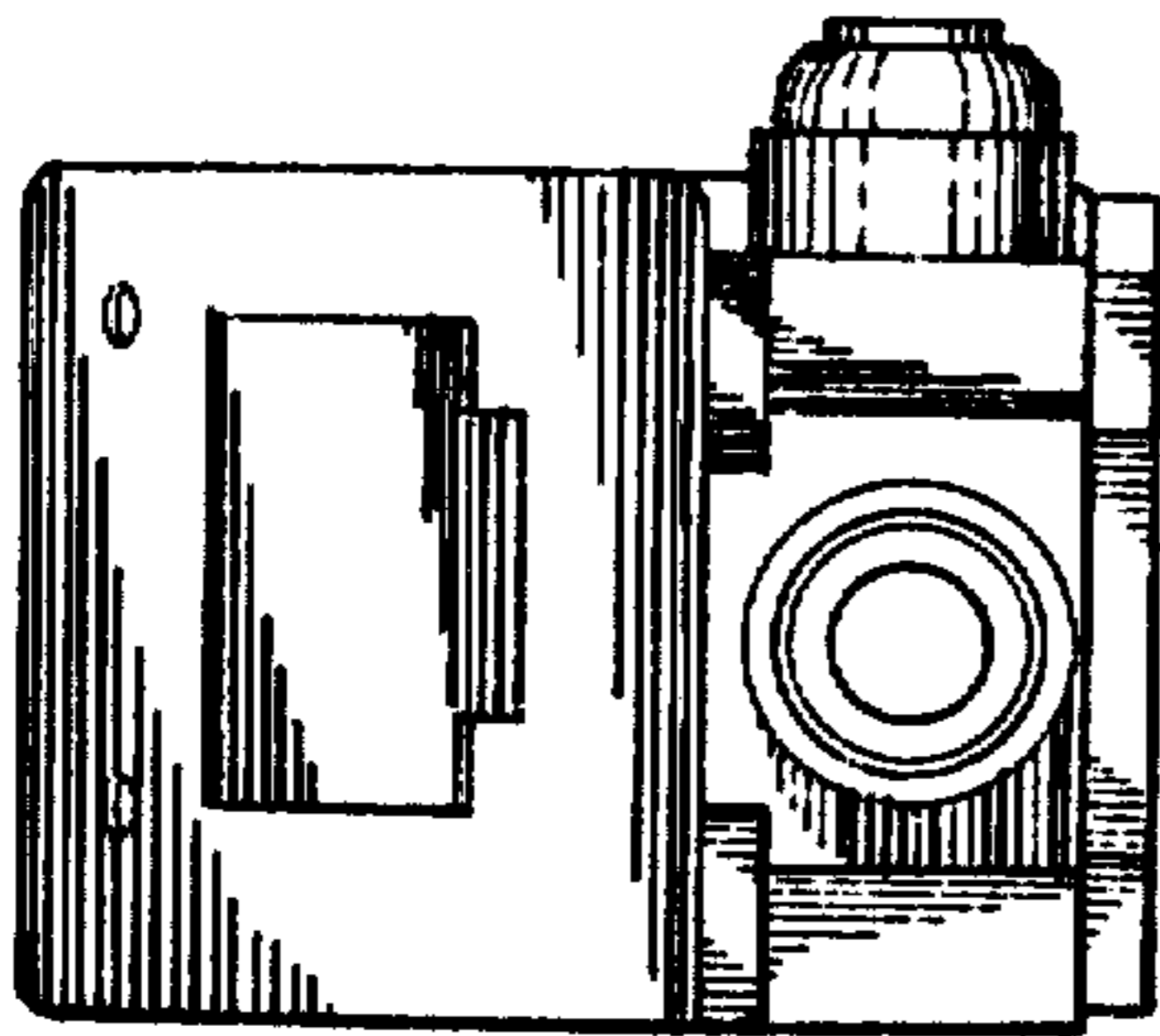


Fig. 3

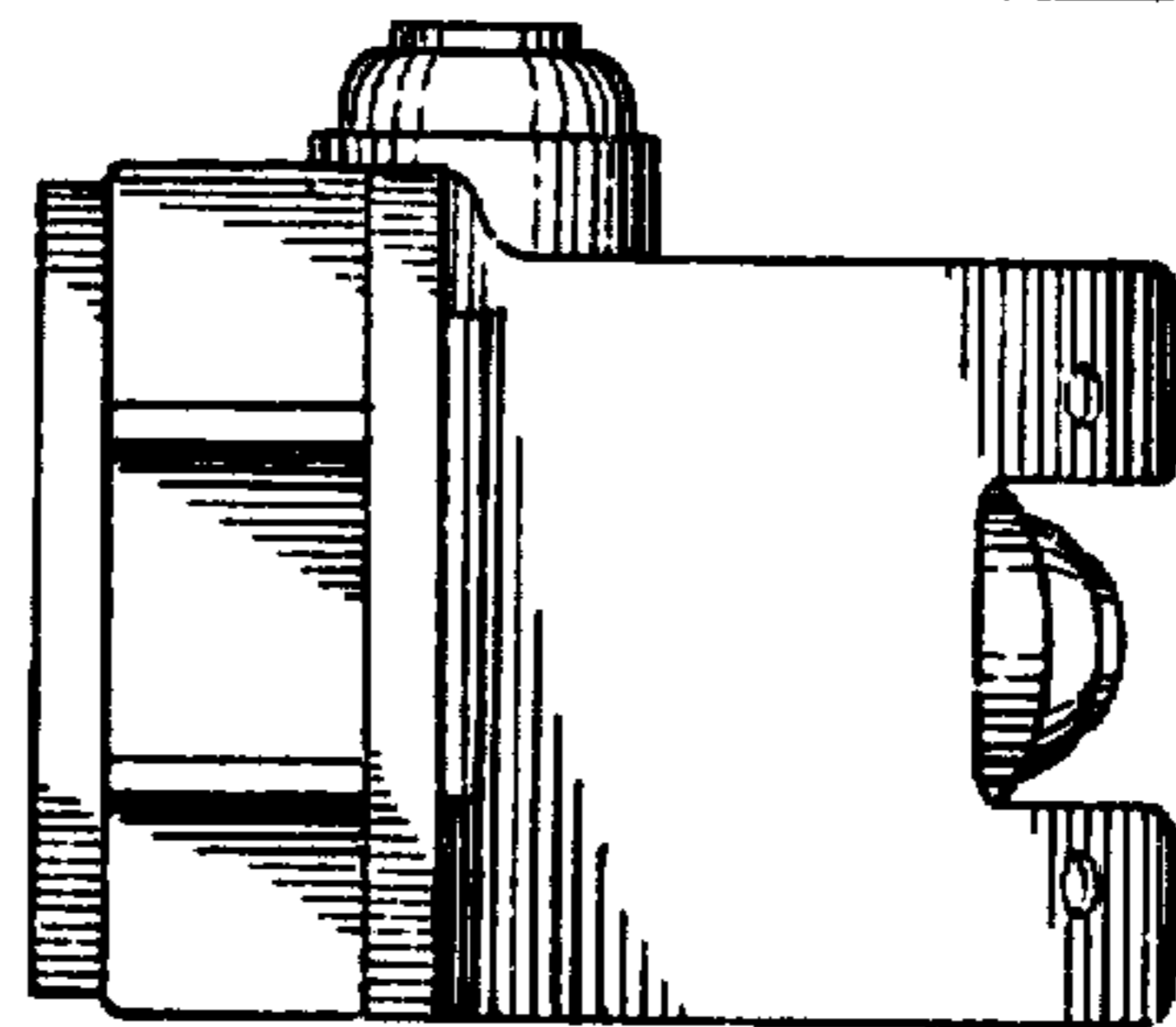


Fig. 2

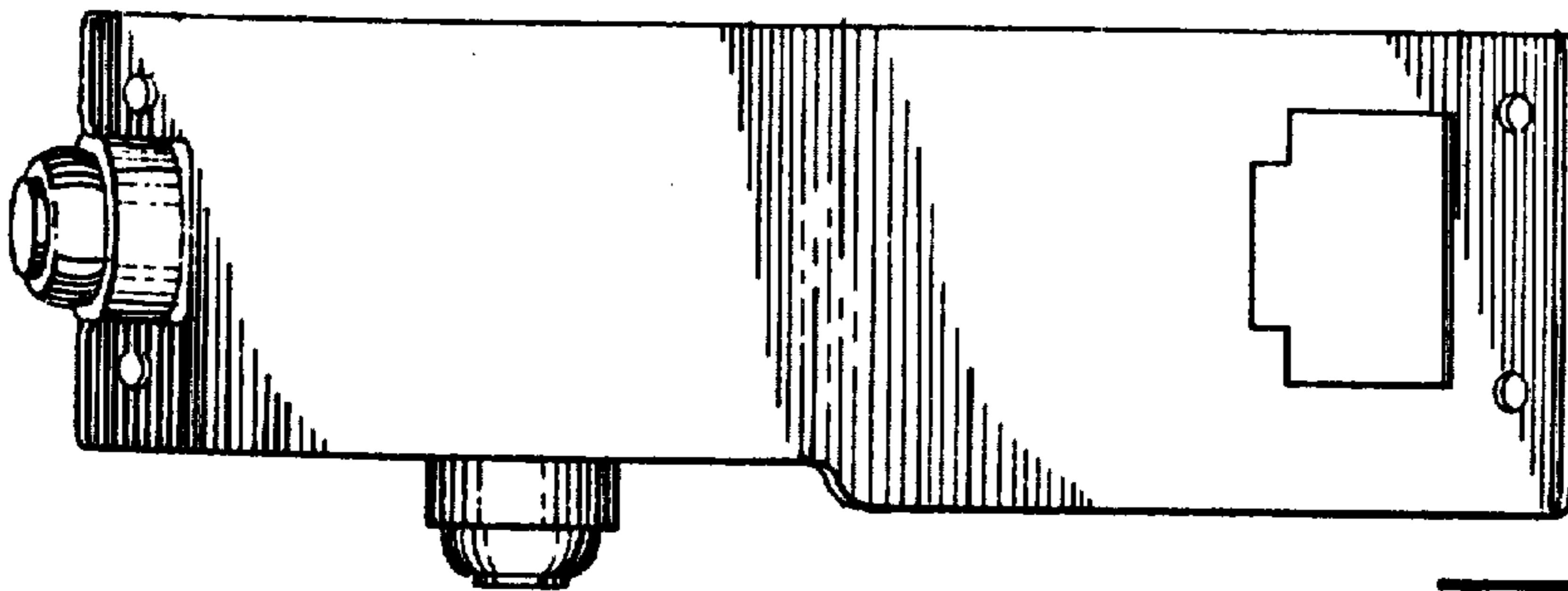


Fig. 4

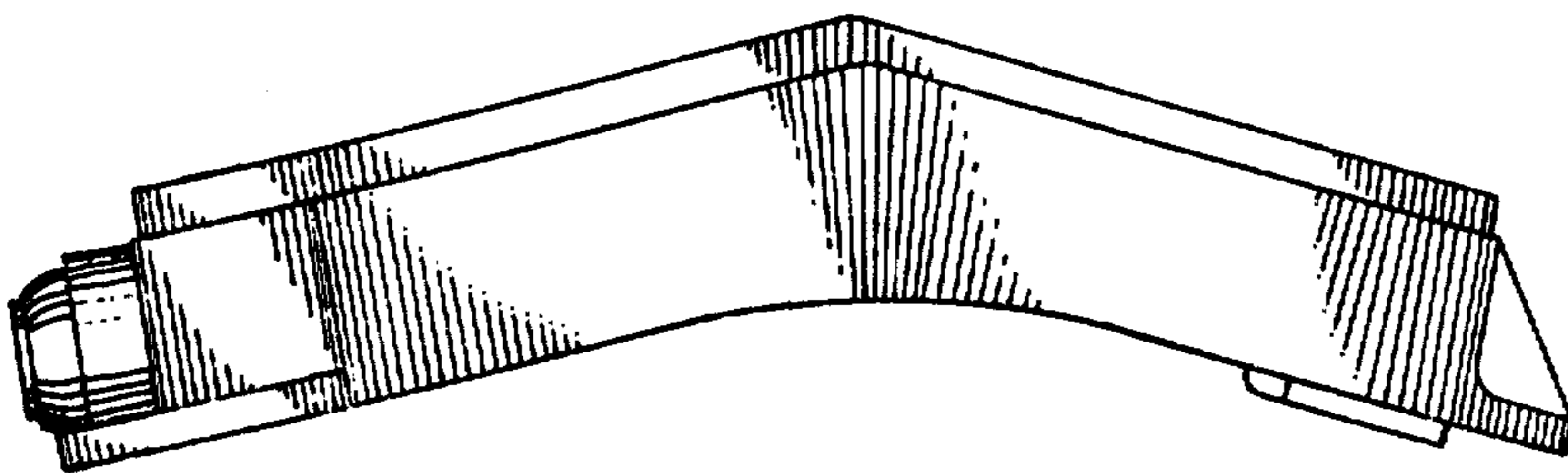


Fig. 5