

[54] **ANGLE CONVERTER**

[76] **Inventor:** Robert J. Farino, R.D. #2, Box 152,  
Barnesboro, Pa. 15714

[\*\*] **Term:** 14 Years

[21] **Appl. No.:** 101,161

[22] **Filed:** Dec. 7, 1979

[51] **Int. Cl.** ..... D10-04

[52] **U.S. Cl.** ..... D10/65

[58] **Field of Search** ..... D10/61, 62, 65; 33/403,  
33/418, 420, 421, 424, 465, 471

[56] **References Cited**

**U.S. PATENT DOCUMENTS**

29,767 8/1860 Chisholm ..... 33/424  
346,519 8/1886 Tybjerg ..... D10/62 X

1,893,925 1/1933 Alessi ..... 33/471  
2,412,901 12/1946 McCoshen ..... D10/65 X  
2,551,997 5/1951 Cody ..... 33/471 X  
2,822,618 2/1958 Wendell ..... 33/285 X  
4,208,804 6/1980 Lundin ..... 33/424 X

*Primary Examiner*—Nelson C. Holtje  
*Attorney, Agent, or Firm*—Jon M. Lewis

[57] **CLAIM**

The ornamental design for an angle converter, as shown.

**DESCRIPTION**

FIG. 1 is a top front perspective view of an angle converter showing my new design;  
FIG. 2 is a top plan view thereof;  
FIG. 3 is a left side elevational view of FIG. 2;  
FIG. 4 is a bottom plan view thereof.

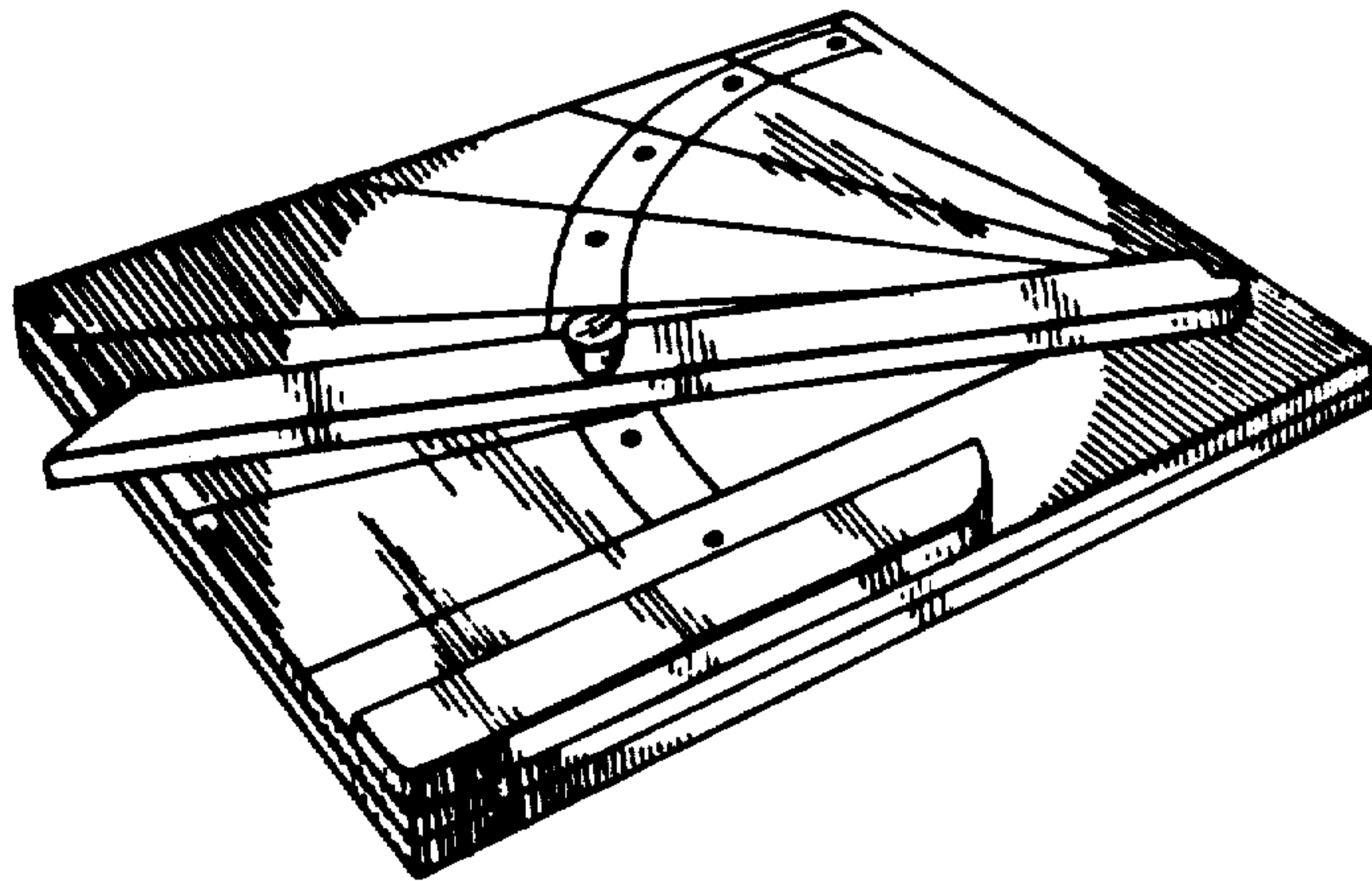


FIG-1

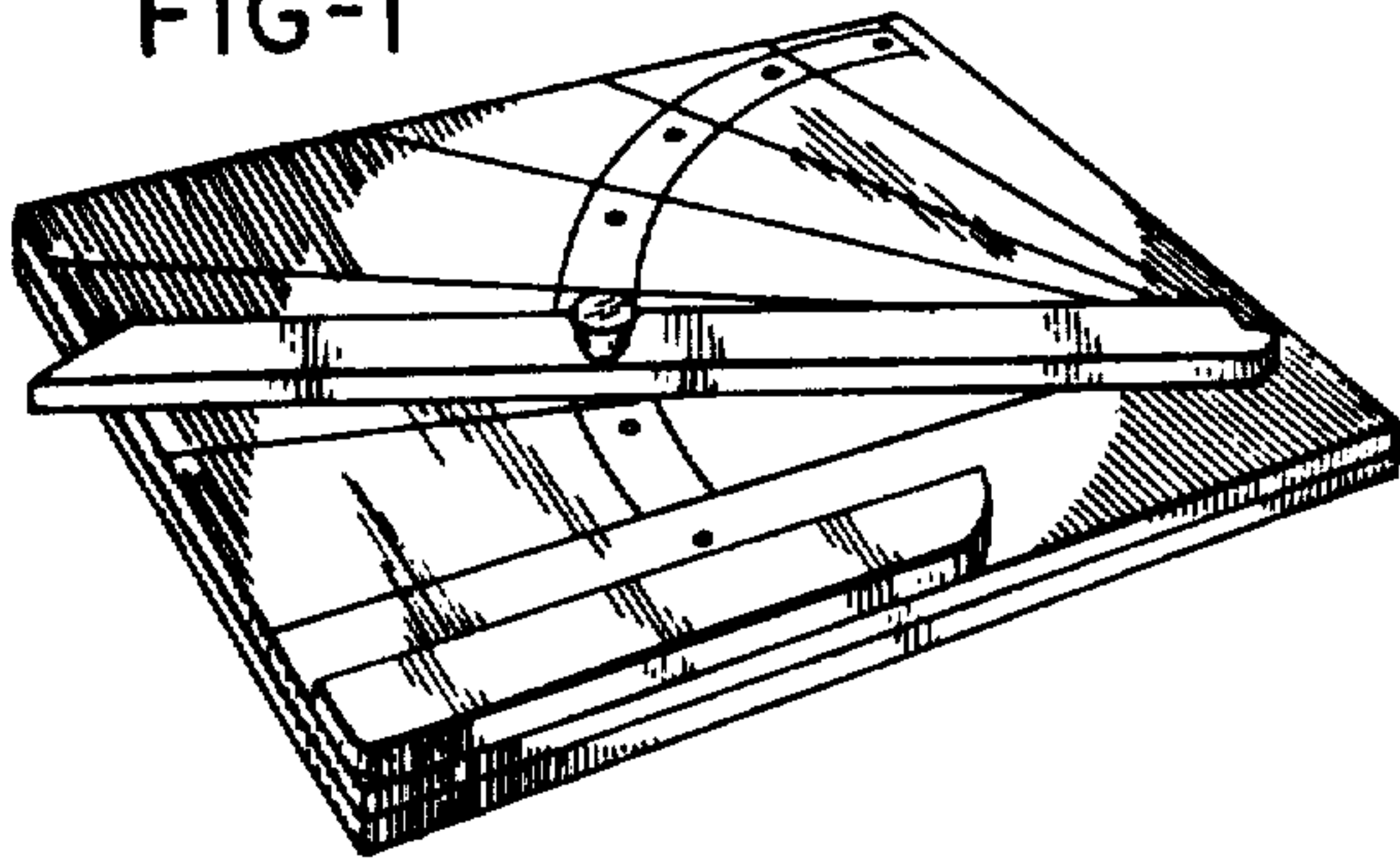


FIG-3

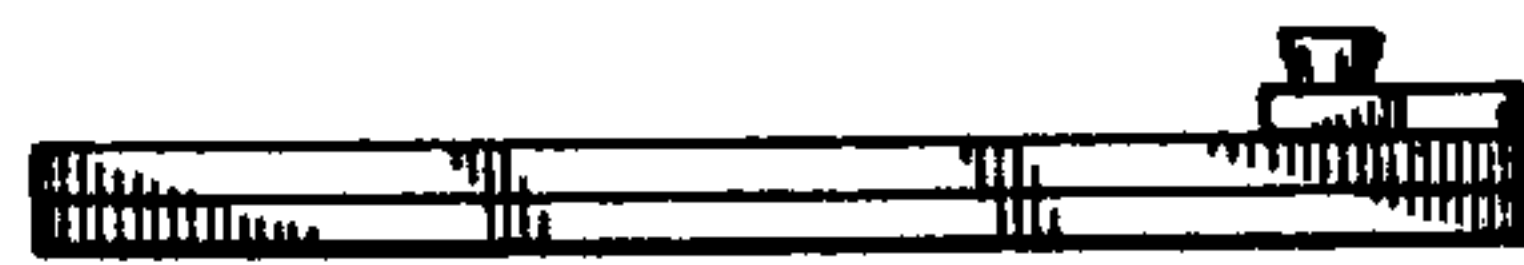


FIG-2

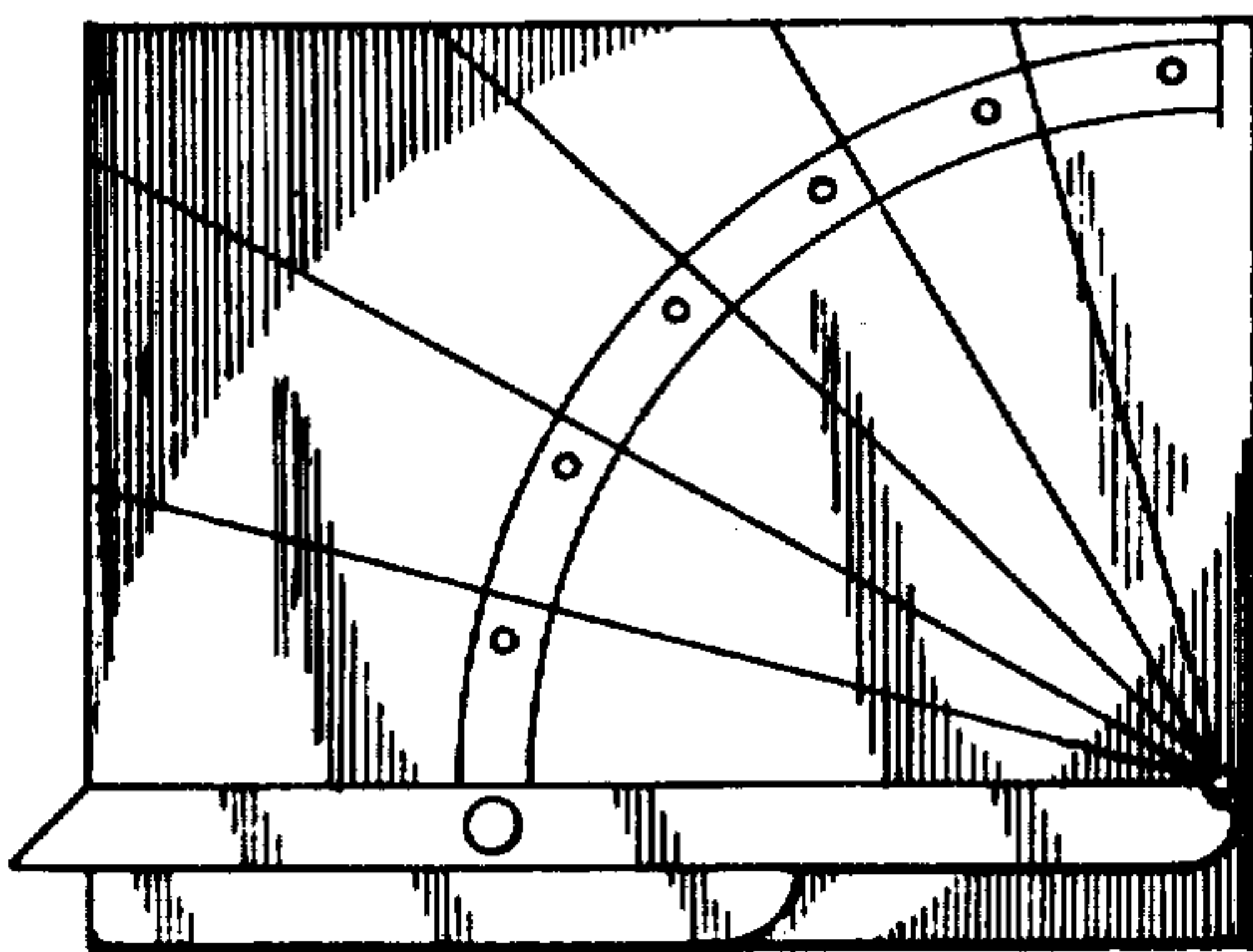


FIG-4

