

[54] **THREE-DIMENSIONAL COORDINATE MEASURING INSTRUMENT**

[75] Inventors: **Katsuhito Fukano; Yukio Mawake,**
both of Tochigi, Japan

[73] Assignee: **Mitutoyo Mfg., Co., Ltd., Tokyo,**
Japan

[**] Term: **14 Years**

[21] Appl. No.: **92,059**

[22] Filed: **Nov. 6, 1979**

[30] **Foreign Application Priority Data**

May 10, 1979 [JP] Japan 54-19052

[51] Int. Cl. **D10-04**

[52] U.S. Cl. **D10/46**

[58] Field of Search **D10/46, 70, 61;**
33/174 L

[56] **References Cited**

U.S. PATENT DOCUMENTS

- D. 197,484 2/1964 Pettavel D10/70
- D. 202,127 8/1965 DePhillips D10/46

- D. 207,026 2/1967 Leach D10/46
- D. 223,174 3/1972 Pettavel D10/46
- 2,763,934 9/1956 Creek 33/174 L
- 3,639,993 2/1972 Sartorio 33/174 L X
- 3,750,295 8/1973 Nordmann 33/174 L
- 3,831,283 8/1974 Pagella 33/174 L X
- 4,155,173 5/1979 Sprandel 33/174 L
- 4,175,327 11/1979 Herzog 33/174 L

Primary Examiner—Nelson C. Holtje
Attorney, Agent, or Firm—Koda and Androlia

[57] **CLAIM**

The ornamental design for a three-dimensional coordinate measuring instrument, substantially as shown and described.

DESCRIPTION

FIG. 1 is a perspective view of a three-dimensional coordinate measuring instrument showing our new design;
FIG. 2 is a front elevational view thereof;
FIG. 3 is a rear elevational view thereof;
FIG. 4 is a right side elevational view thereof;
FIG. 5 is a top plan view thereof; and
FIG. 6 is a left side elevational view thereof.

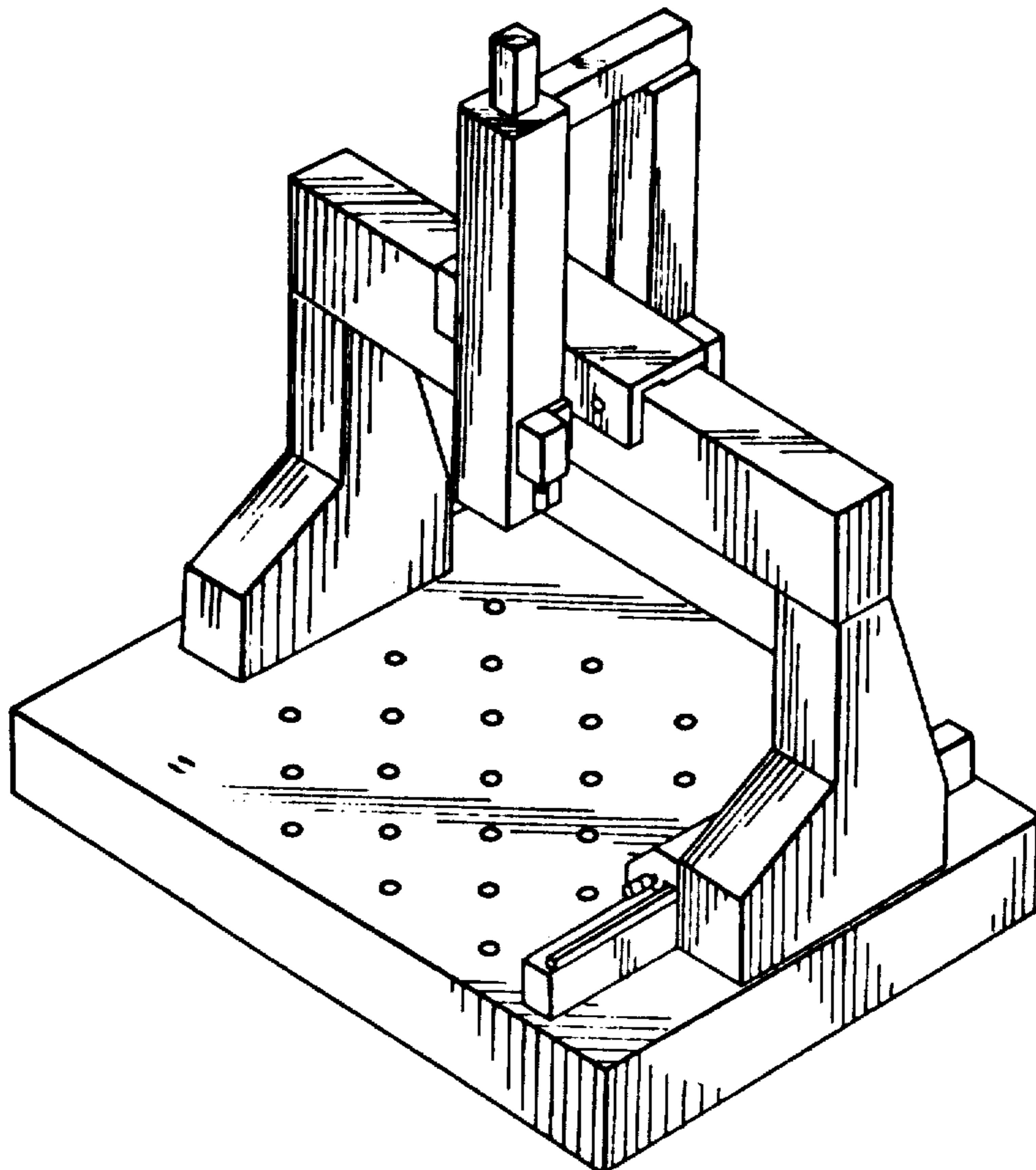


FIG. 1

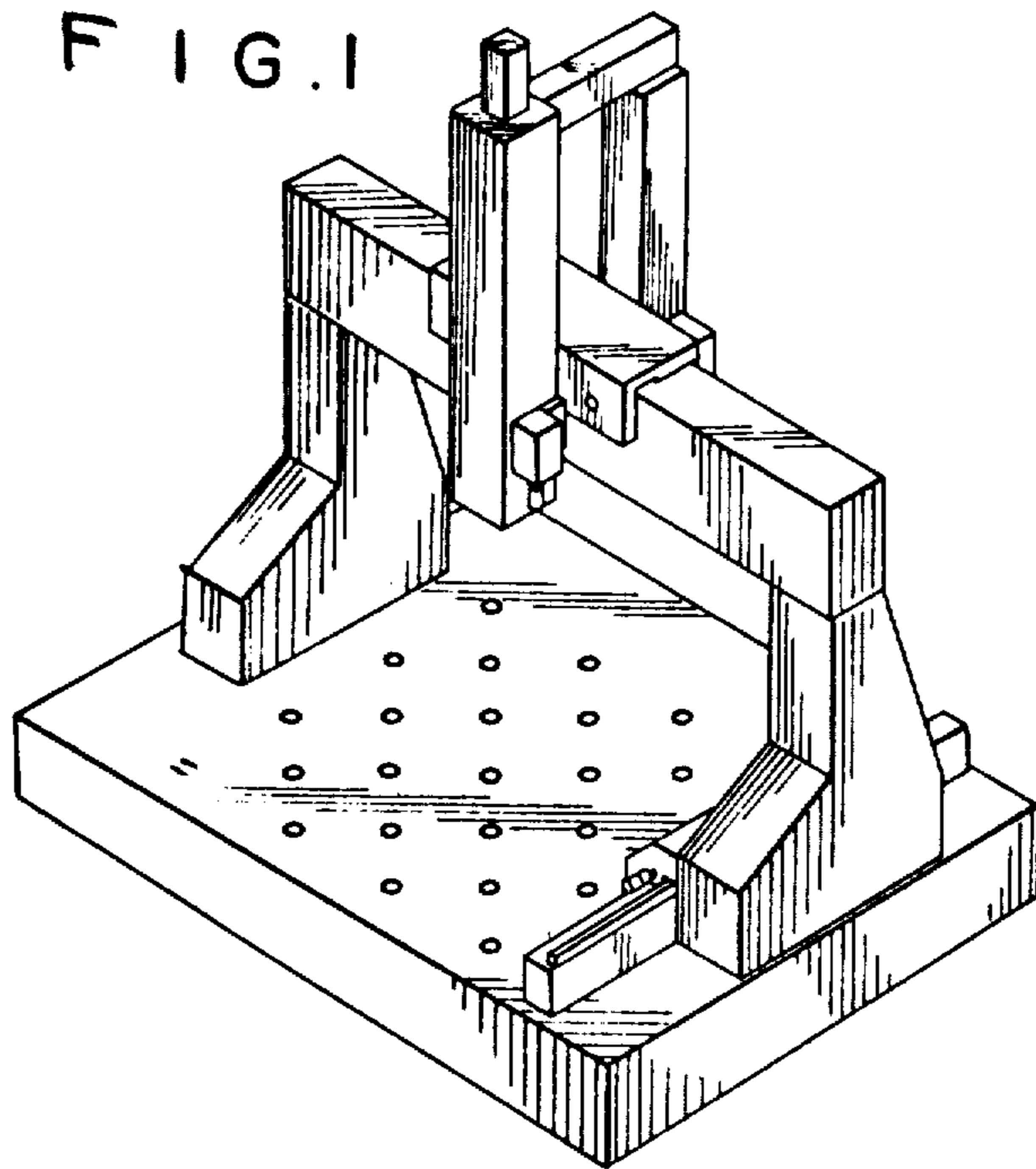


FIG. 2

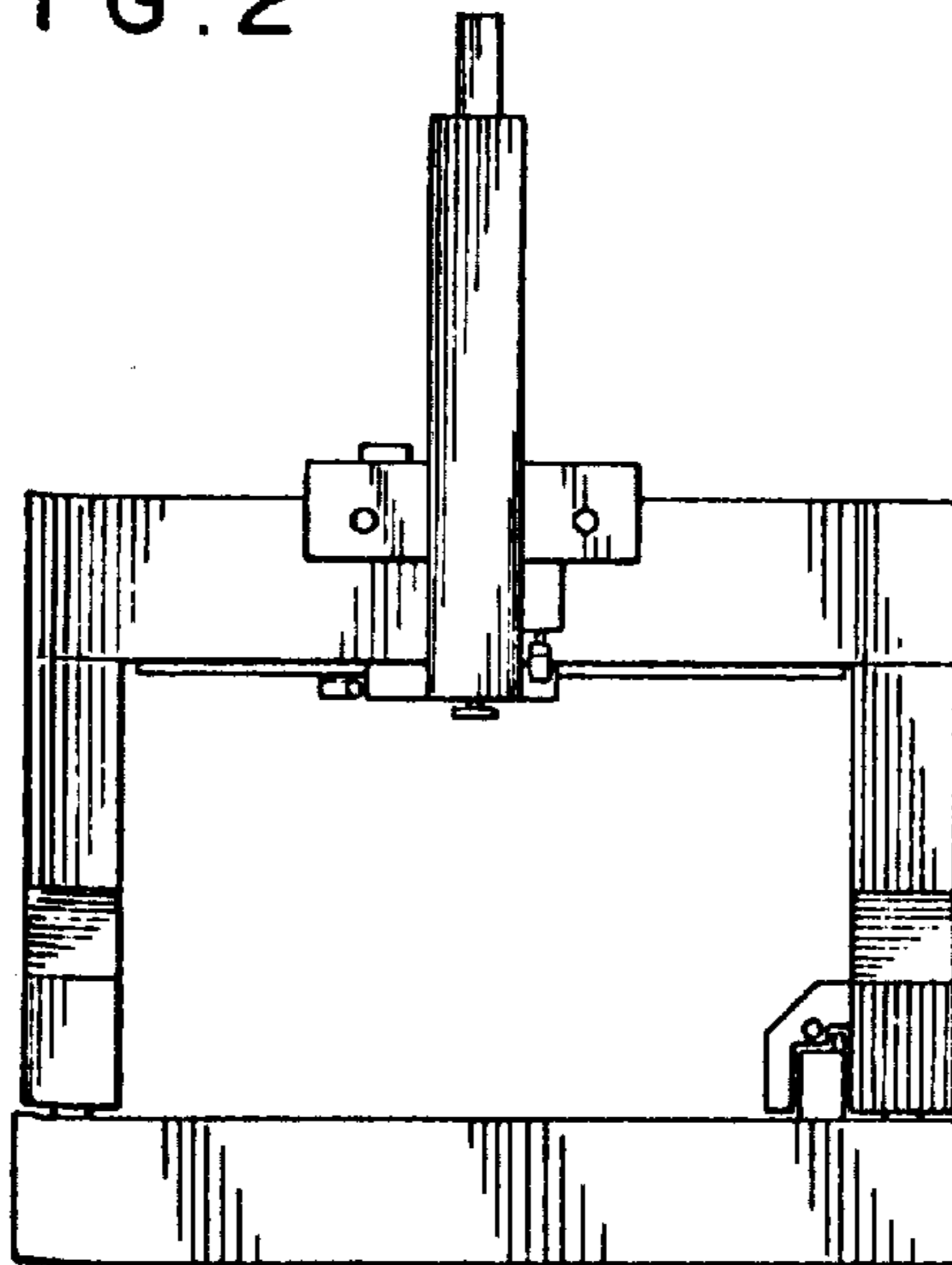


FIG. 3

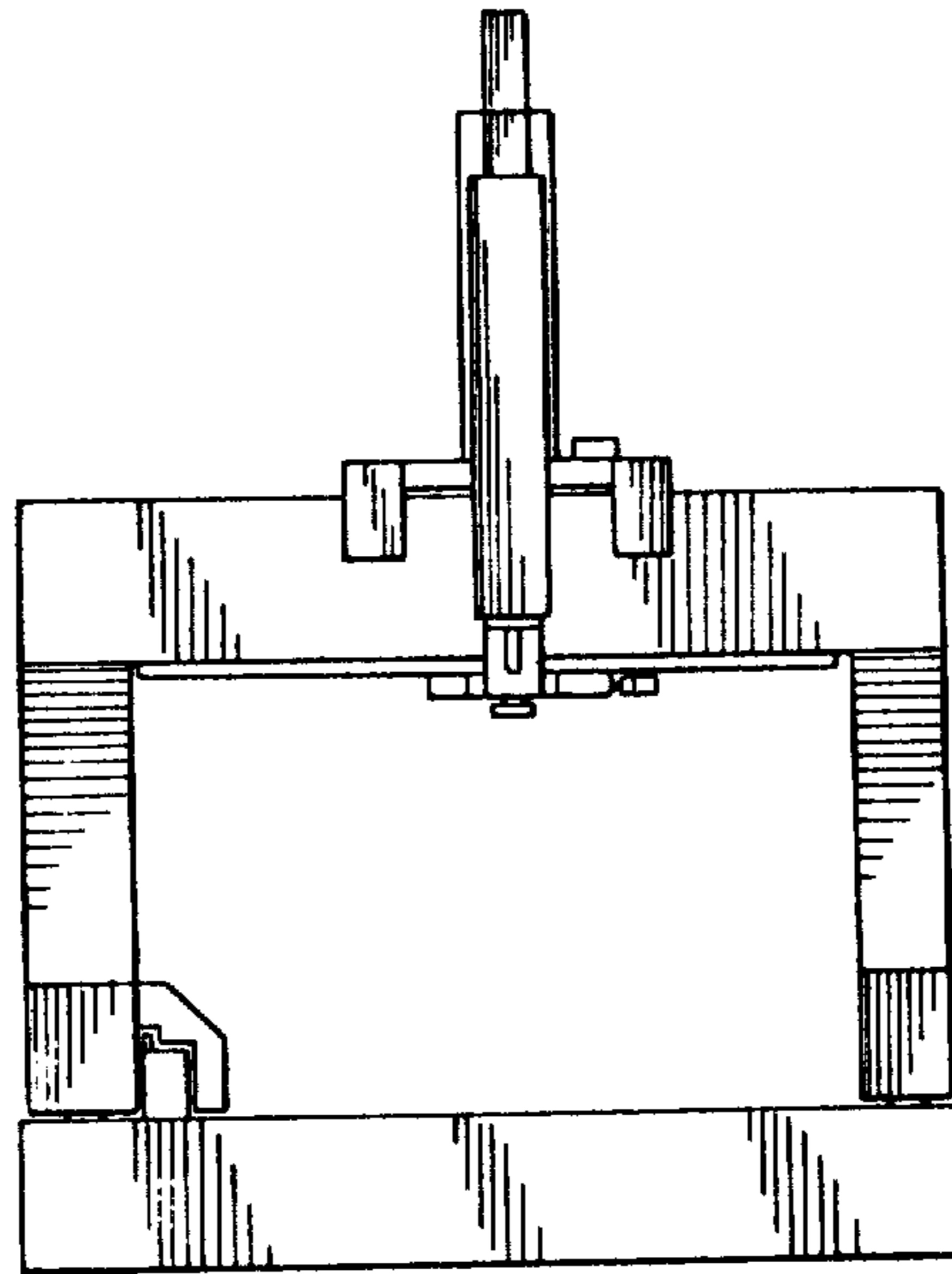


FIG. 4

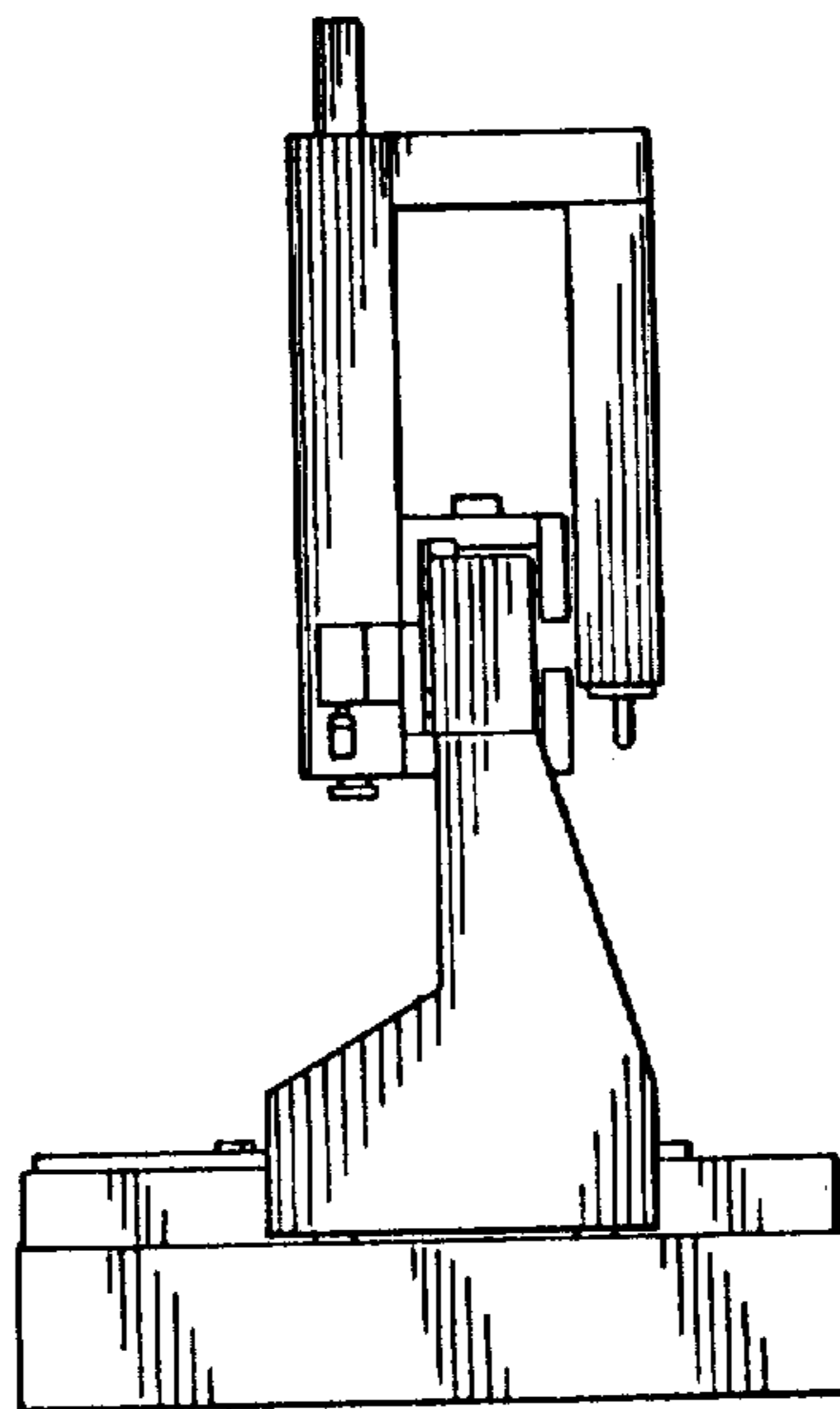


FIG. 5

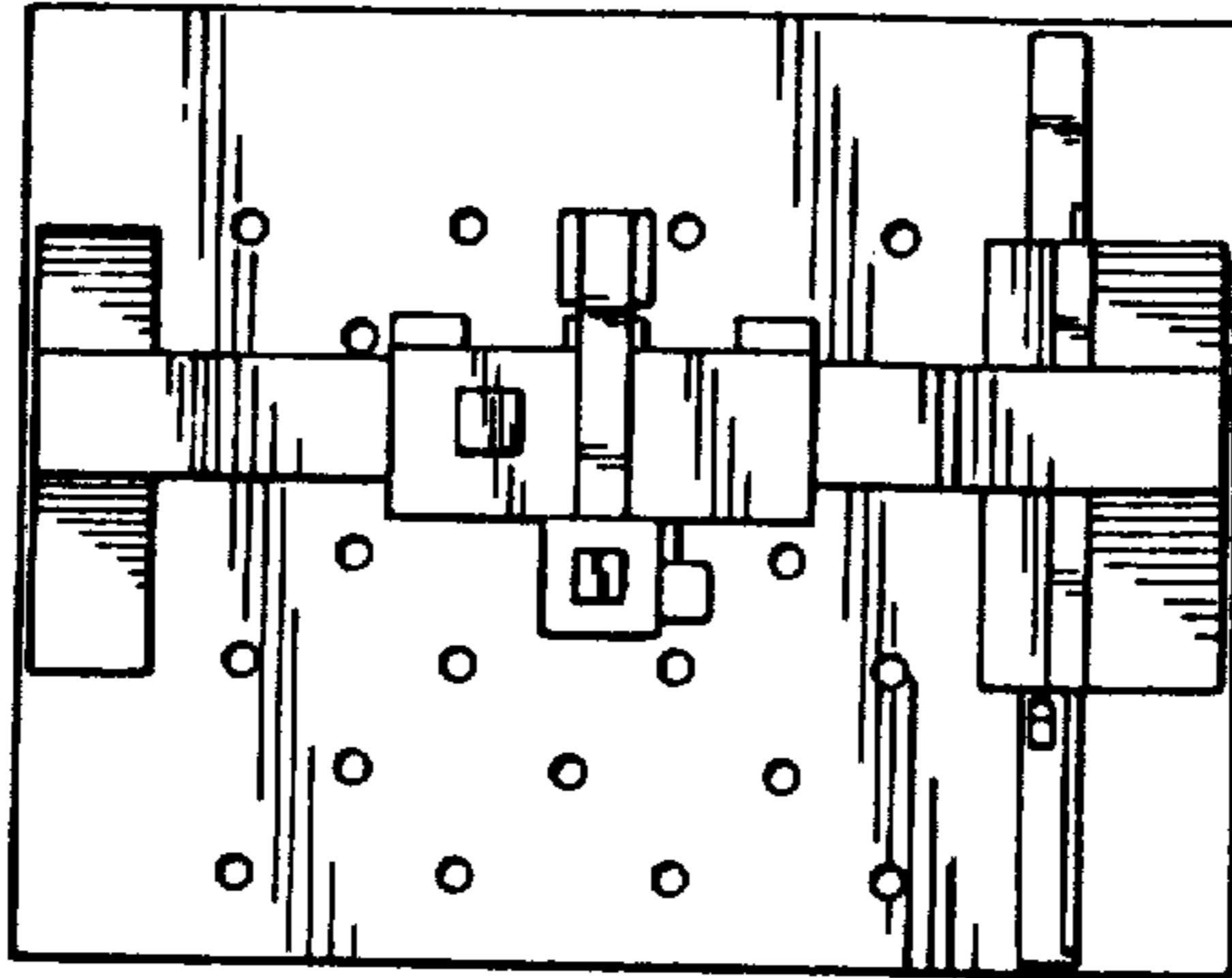


FIG. 6

