

[54] SUTURE PACKAGING ELEMENT

[75] Inventor: Luther A. Hoffman, Sinking Spring, Pa.

[73] Assignee: Sharpoint Inc., Mohnton, Pa.

[\*\*] Term: 14 Years

[21] Appl. No.: 75,224

[22] Filed: Sep. 13, 1979

[51] Int. Cl. .... D9-99

[52] U.S. Cl. .... D9/456

[58] Field of Search ..... 206/438, 63.3; D9/456, D9/457, 499, 415

[56] References Cited

U.S. PATENT DOCUMENTS

D. 28,713	5/1898	Hills	.....	D9/457
D. 134,360	11/1942	Galper	.....	D9/456
1,610,607	12/1926	Hirsch	.....	206/63.3
3,136,418	6/1964	Stacy et al.	.....	206/63.3
3,357,550	12/1967	Holmes et al.	.....	206/63.3
3,759,376	9/1973	Lisowski	.....	206/63.3
3,869,044	3/1975	Olsson	.....	206/63.3
4,063,638	12/1977	Marwood	.....	206/63.3
4,183,431	1/1980	Schmidt et al.	.....	206/63.3

Primary Examiner—Robert C. Spangler

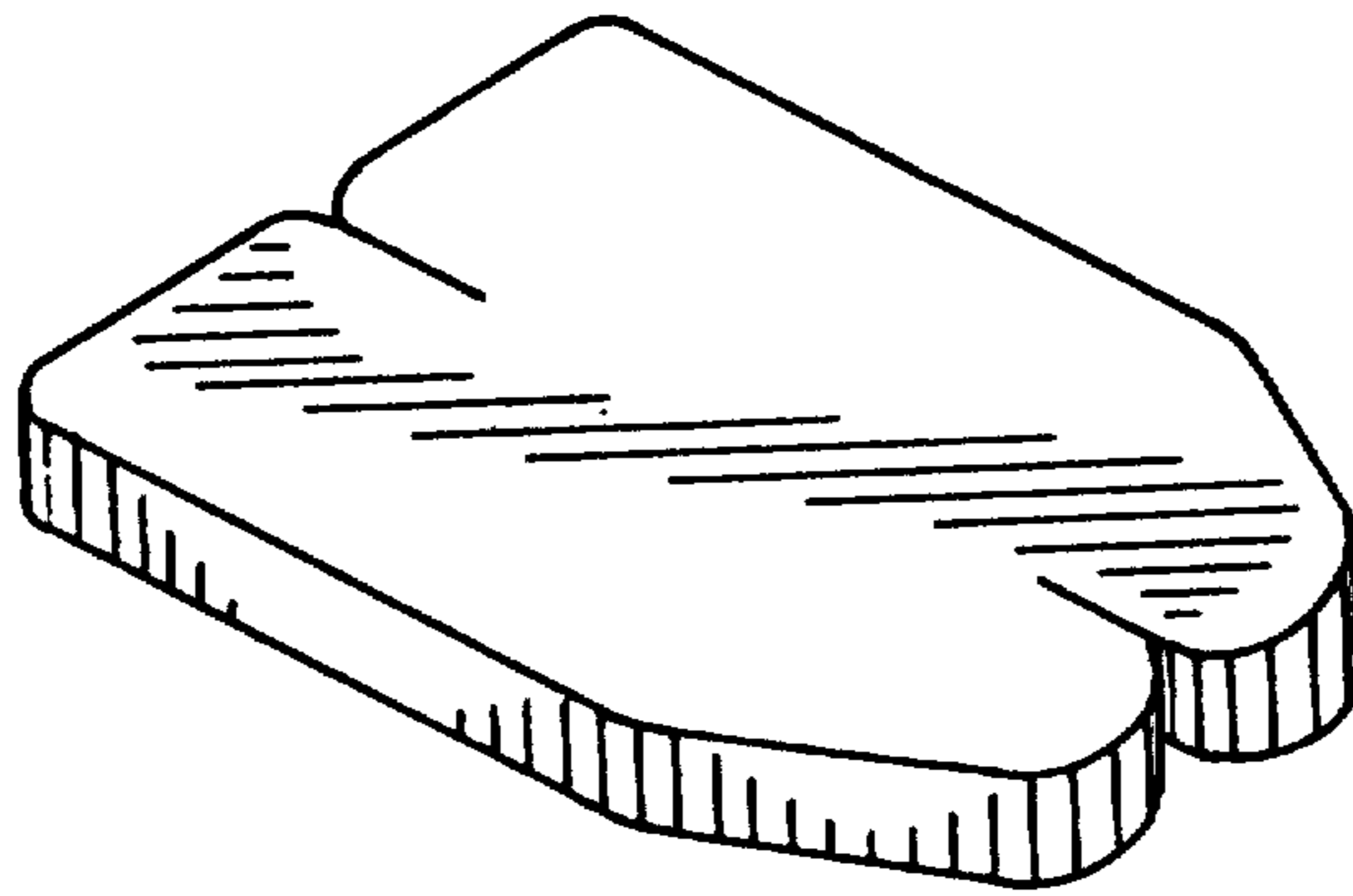
Attorney, Agent, or Firm—M. Richard Page

[57] CLAIM

The ornamental design for a suture packaging element, substantially as shown and described.

DESCRIPTION

FIG. 1 is a perspective view of a suture packaging element showing my new design;  
 FIG. 2 is a top plan view on a reduced scale, the bottom being the same in appearance;  
 FIG. 3 is an elevational view showing the right side of FIG. 2;  
 FIG. 4 is an elevational view looking from the left of FIG. 3;  
 FIG. 5 is an elevational view looking from the right of FIG. 3;  
 FIG. 6 is a perspective view showing a modified form of my new design;  
 FIG. 7 is a top plan view thereof on a reduced scale, the bottom being a mirror image thereof;  
 FIG. 8 is an elevational view looking from the right of FIG. 7;  
 FIG. 9 is an elevational view looking from the left of FIG. 7;  
 FIG. 10 is an elevational view looking from the right of FIG. 8; and  
 FIG. 11 is an elevational view looking from the left of FIG. 8.



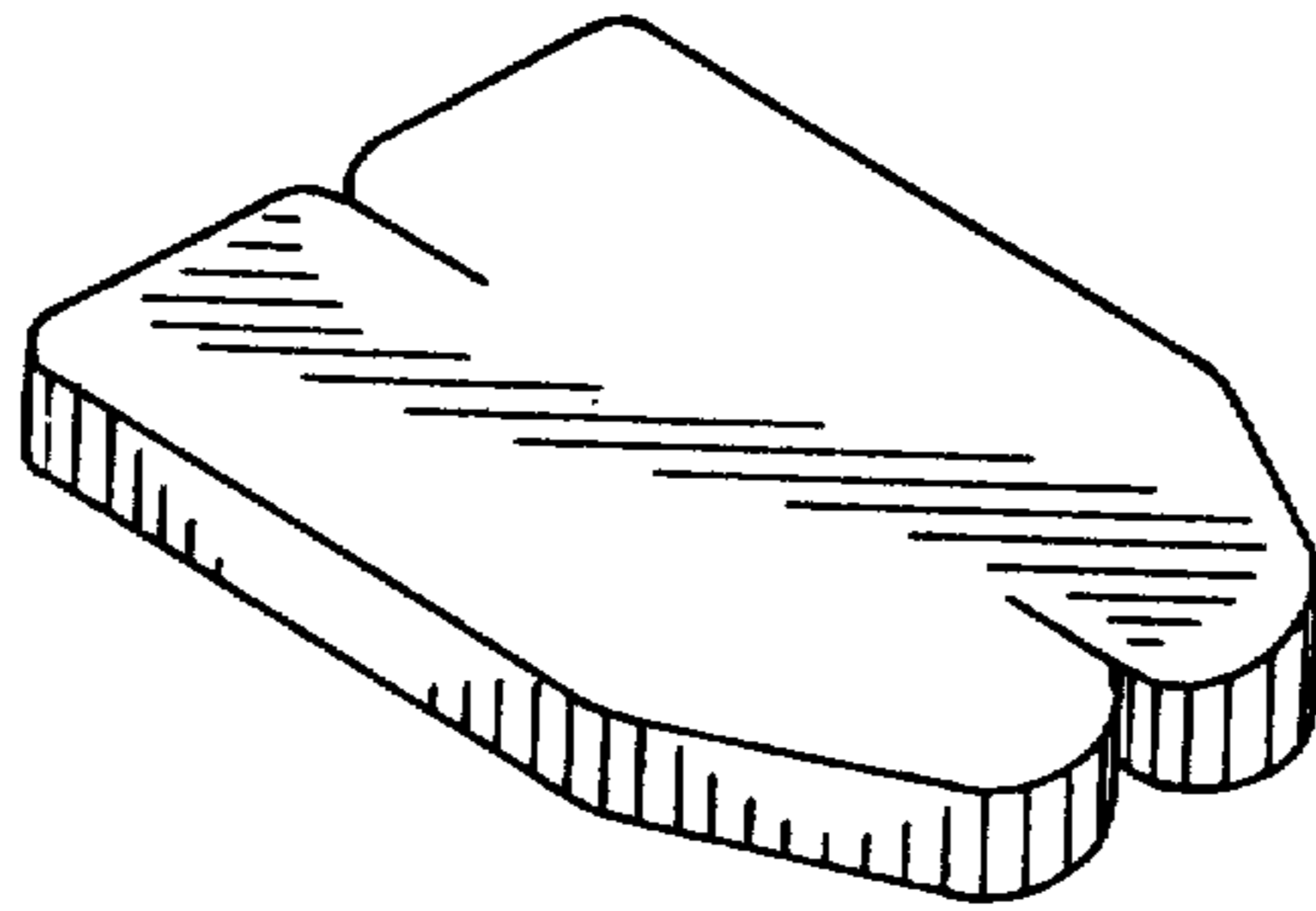


FIG. 1



FIG. 2

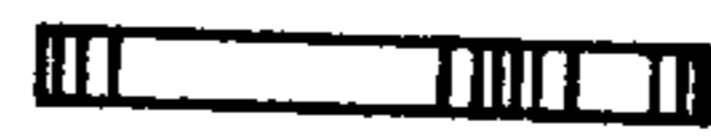


FIG. 3



FIG. 5



FIG. 4

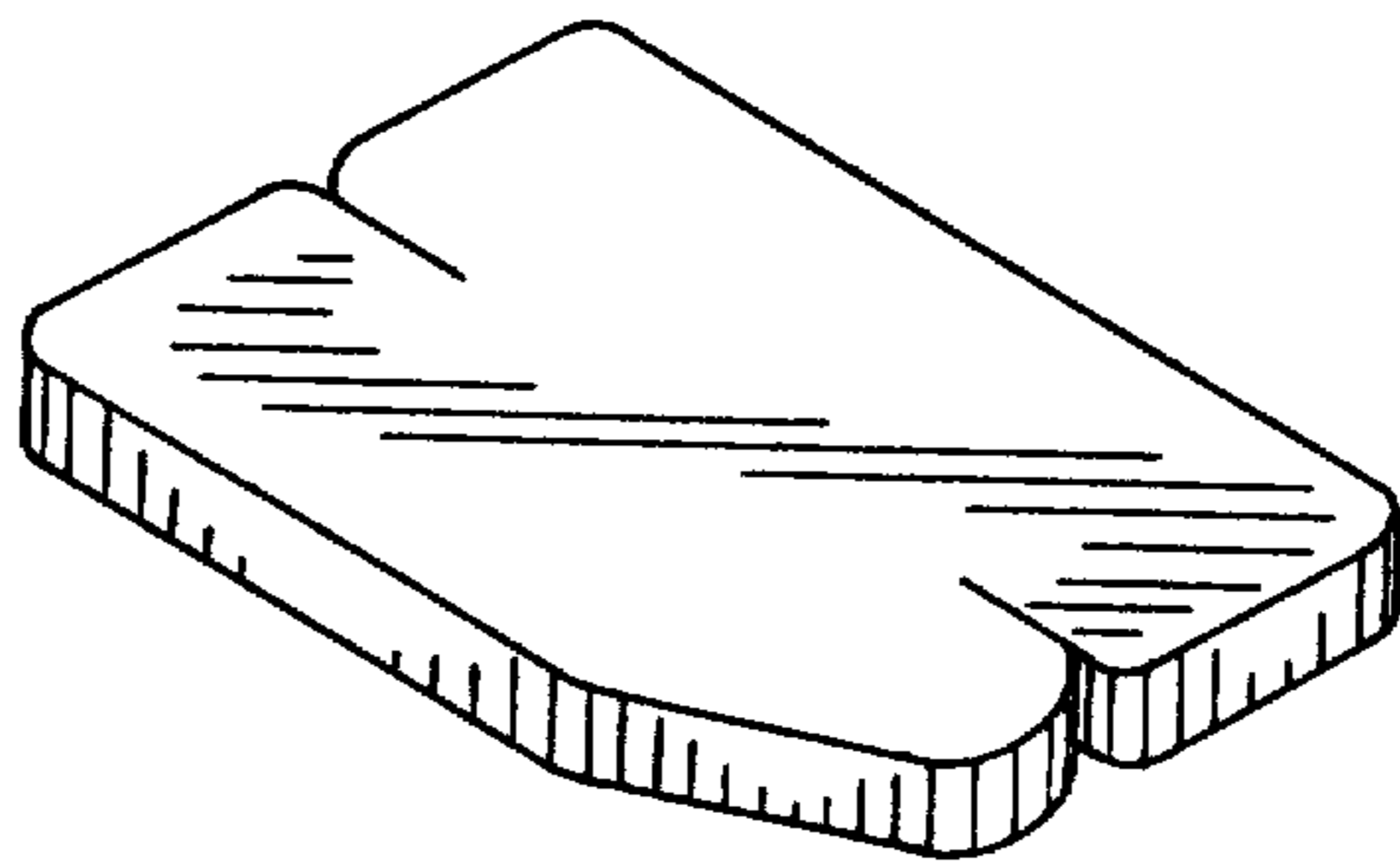


FIG. 6



FIG. 7



FIG. 8

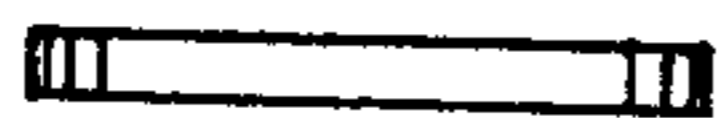


FIG. 9



FIG. 10



FIG. 11