

[54] **LOAD BINDER RELEASE TOOL**
[76] Inventor: **Thomas L. Brannock**, Rte. 9, Box
575-D, Avra Valley, Ariz. 85704
[**] Term: **14 Years**
[21] Appl. No.: **67,833**
[22] Filed: **Aug. 20, 1979**
[51] Int. Cl. **D8-05**
[52] U.S. Cl. **D8/89**
[58] Field of Search **D8/88, 89, 31, 44, 48;**
254/22, 25, 27, 113, 120, 121, 123, 77, 79

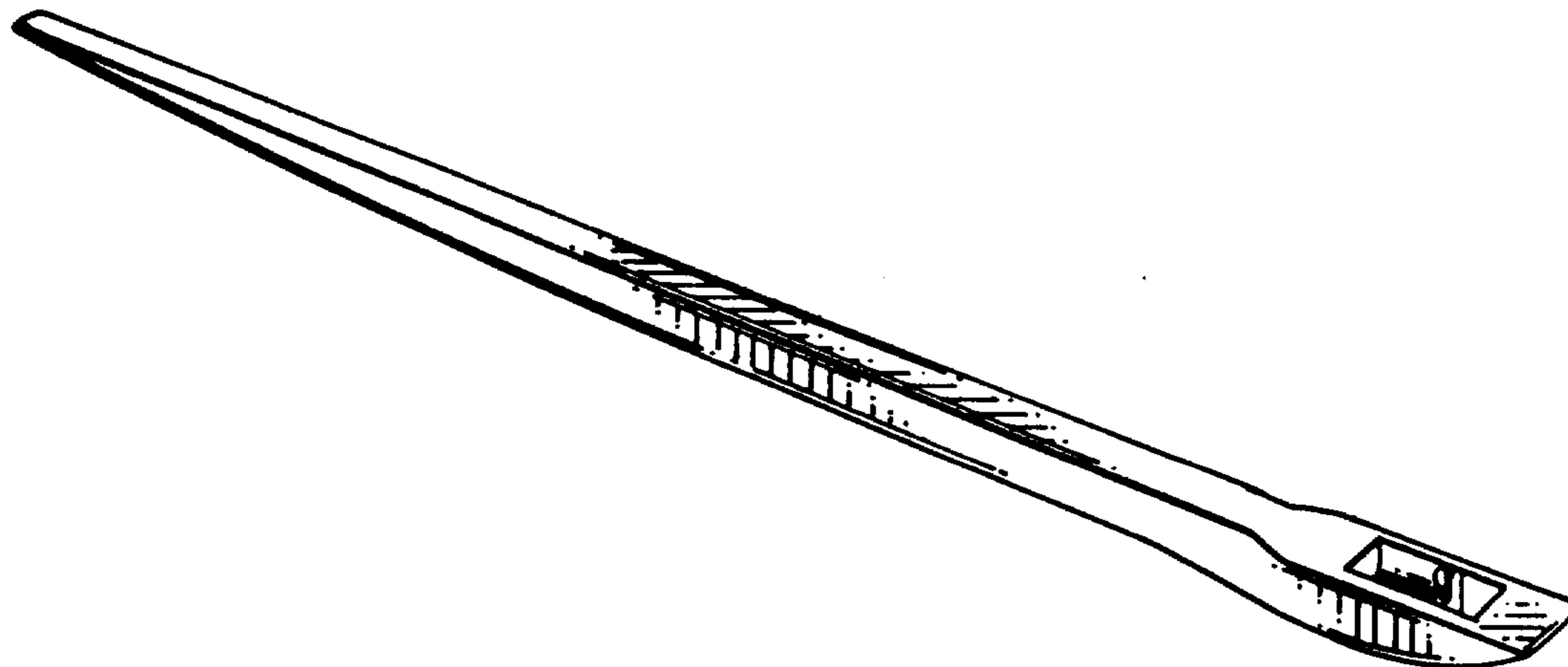
[56] **References Cited**
U.S. PATENT DOCUMENTS
D. 31,141 7/1899 Lannon D8/21
D. 134,799 1/1943 Taylor D8/31
949,337 2/1910 Trogner D8/89 X
2,082,901 6/1937 Palmu D8/89 X

3,049,337 8/1962 Griggs D8/89 X
Primary Examiner—A. Hugo Word
Attorney, Agent, or Firm—Cahill, Sutton & Thomas

[57] **CLAIM**
The ornamental design for a load binder release tool, as shown and described.

DESCRIPTION

FIG. 1 is a first perspective view of the present invention.
FIG. 2 is a second perspective view of the present invention.
FIG. 3 is a first enlarged perspective view of the head of the invention.
FIG. 4 is a second enlarged perspective view of the head of the invention.
FIG. 5 is a partial enlarged top view of the head of the invention; and
FIG. 6 is a partial enlarged bottom view of the head of the invention.



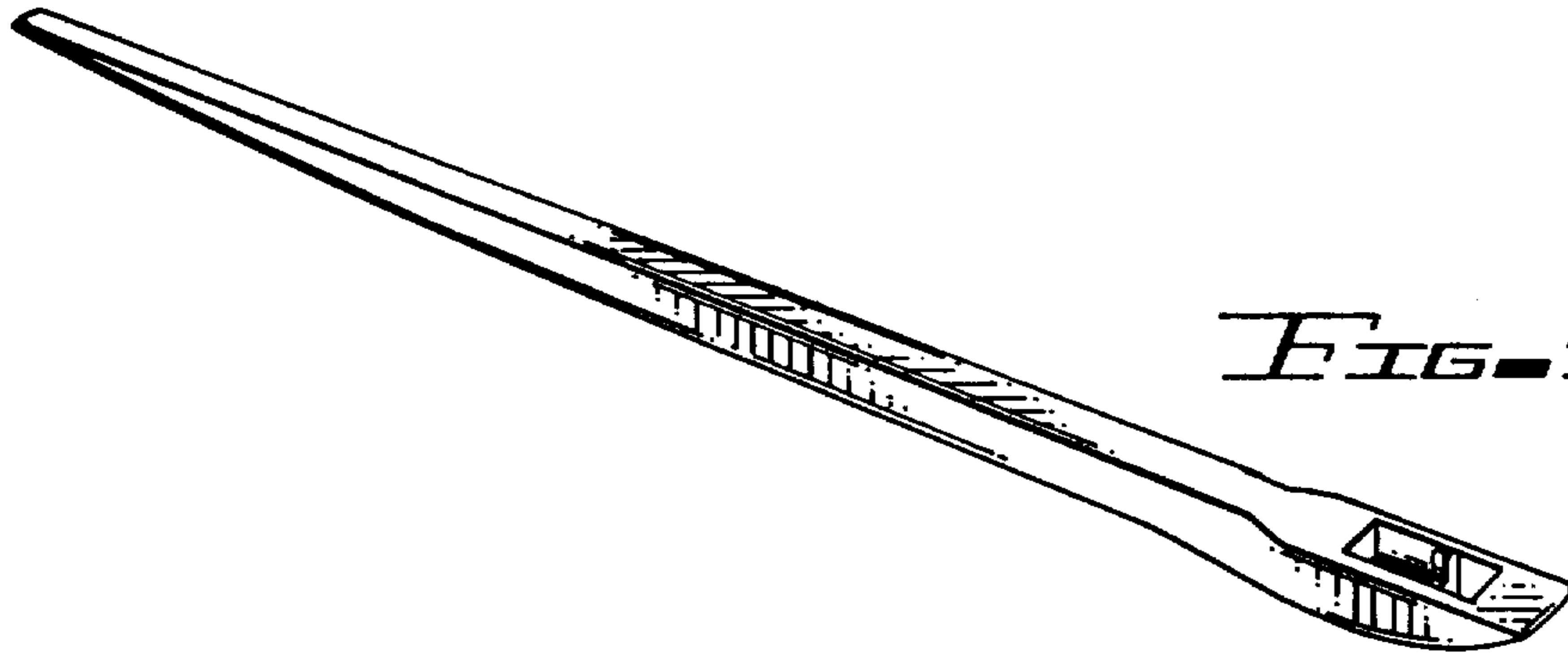


FIG. 1

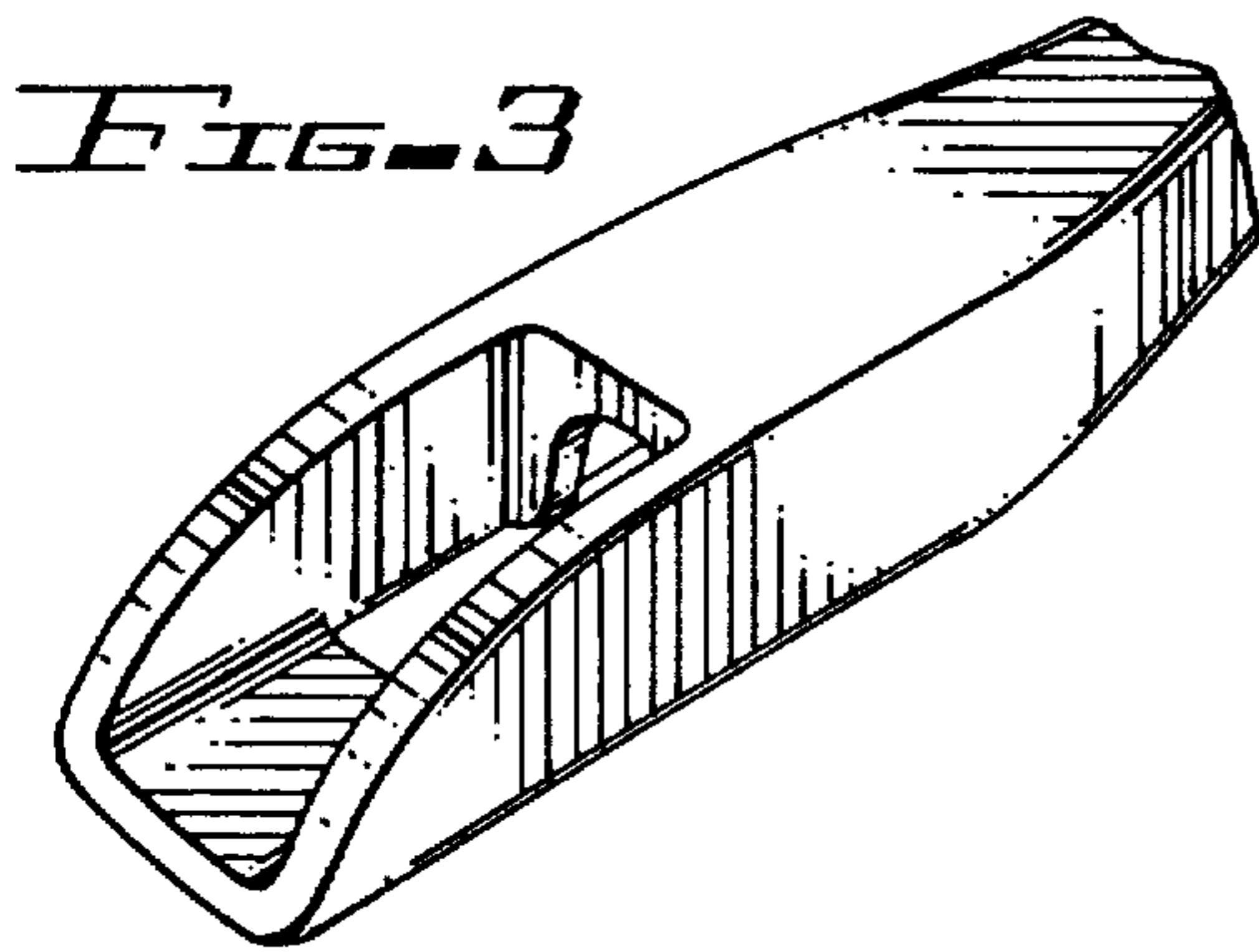


FIG. 3

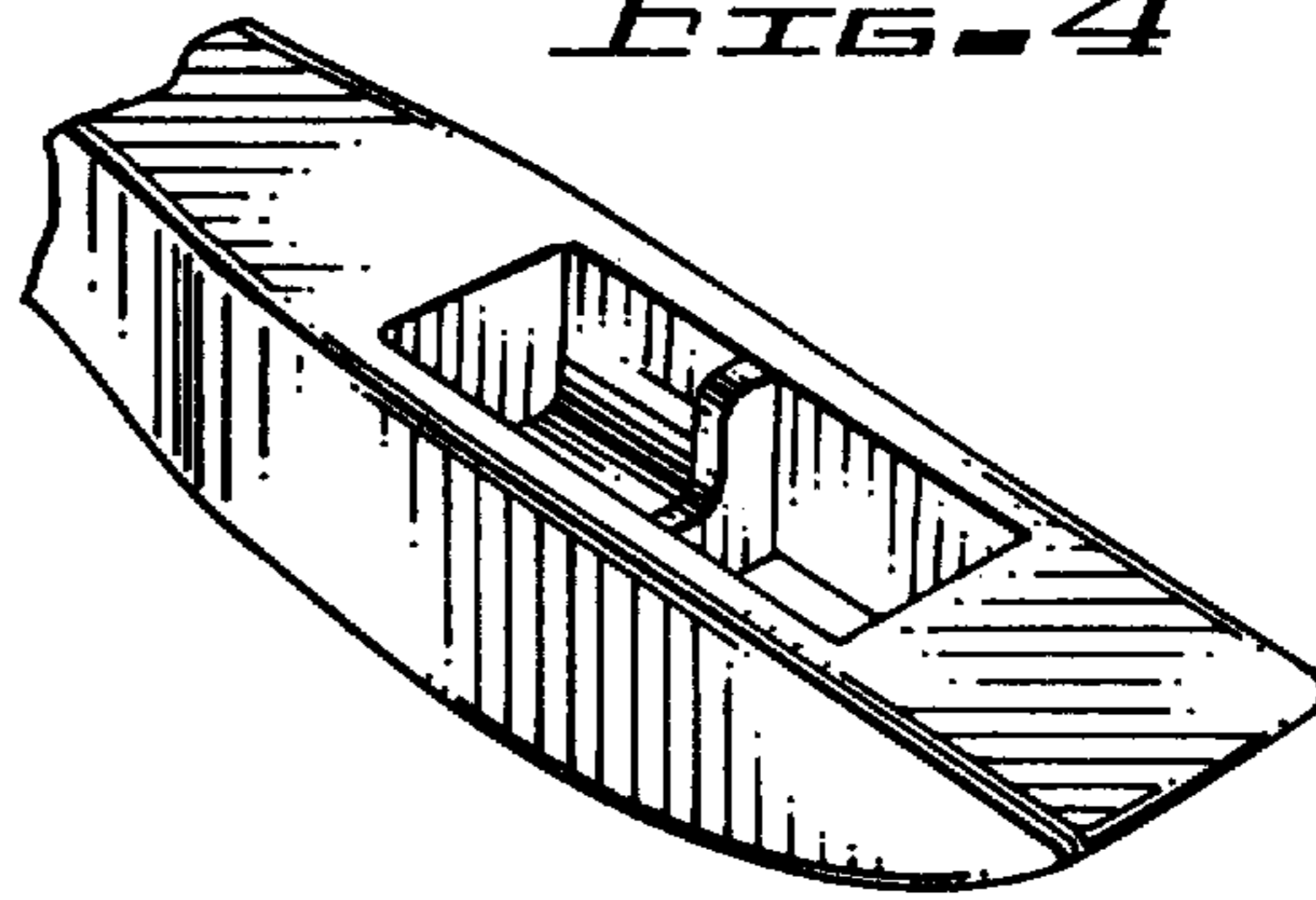


FIG. 4

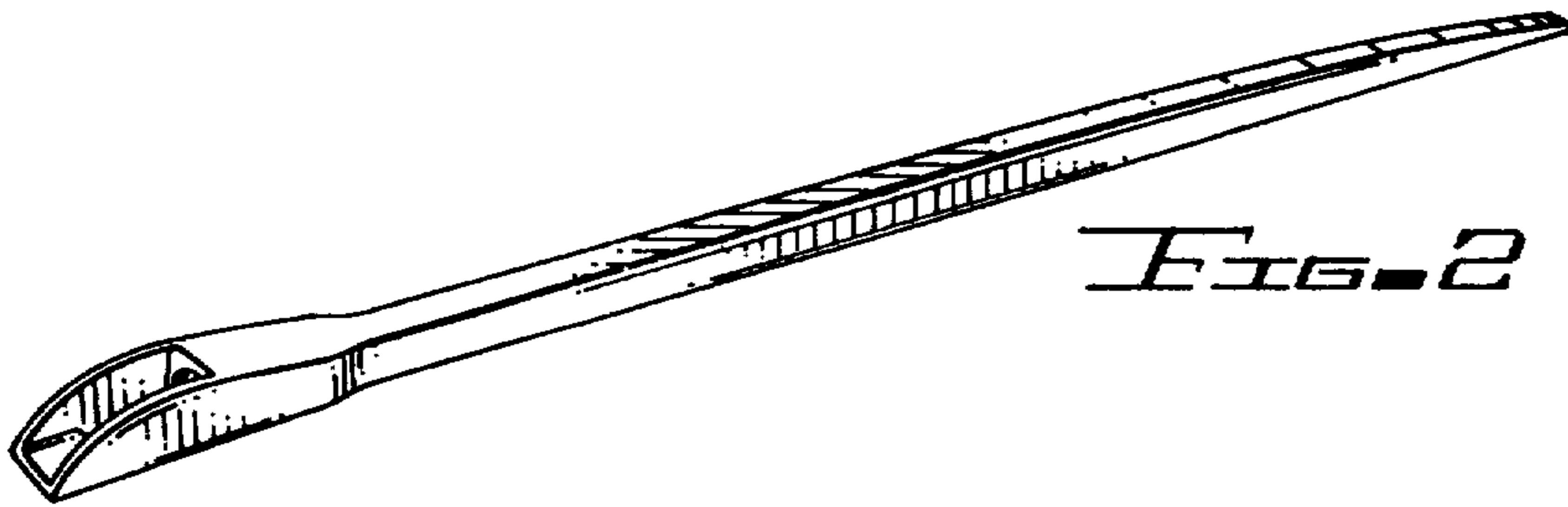


FIG. 2

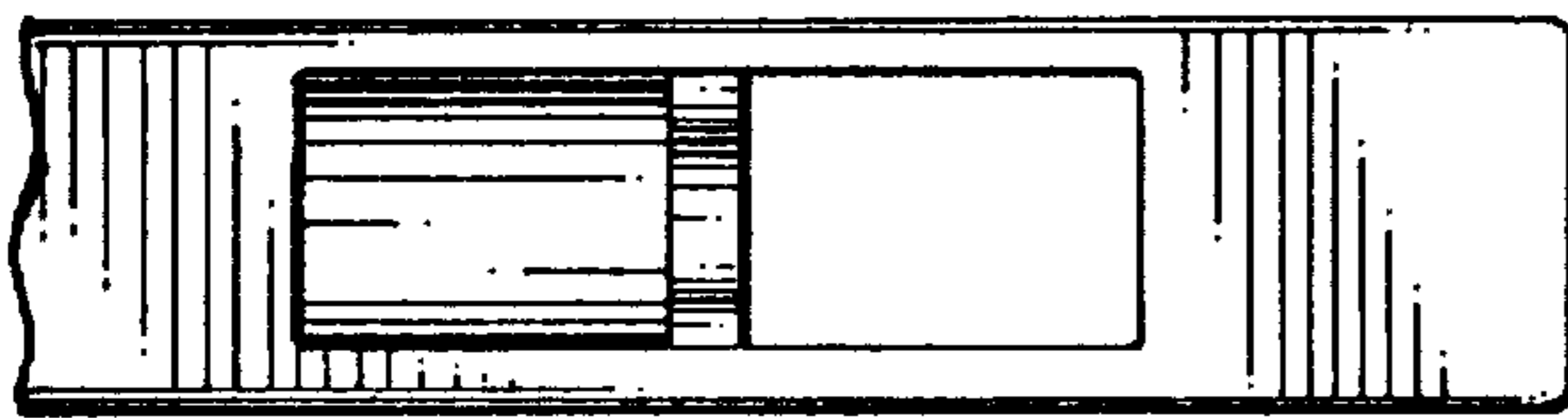


FIG. 5

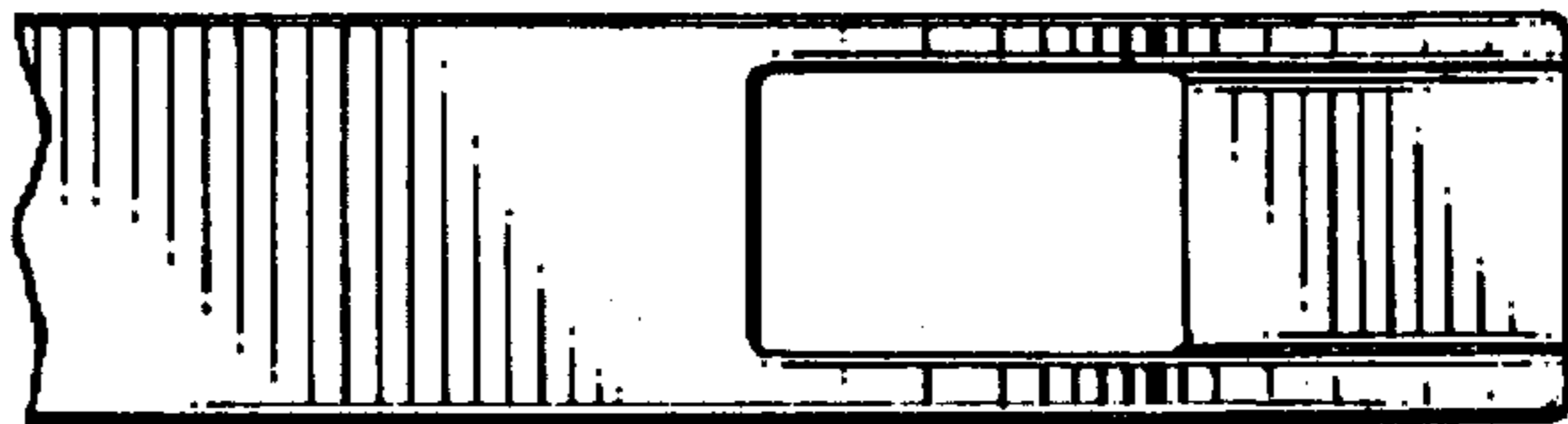


FIG. 6