

United States Patent [19]

Beck, Jr.

[11] **Des. 261,596**

[45] **** Nov. 3, 1981**

[54] **CAMPFIRE COOK STAND**

[76] **Inventor: Robert F. Beck, Jr., P.O. Box 0-14,
R.R. #4, Delphi, Ind. 46923**

[**] **Term: 14 Years**

[21] **Appl. No.: 104,698**

[22] **Filed: Dec. 17, 1979**

[51] **Int. Cl. D7-02**

[52] **U.S. Cl. D7/109**

[58] **Field of Search D7/107, 108, 109, 110,
D7/130; D6/85; 126/25 R, 25 A, 25 AA, 25 B,
25 C, 29, 30, 9 R, 9 A, 9 B; 248/530, 156, 175;
211/181**

[56]

References Cited

U.S. PATENT DOCUMENTS

D. 186,487 10/1959 Brooks D7/109
670,144 3/1901 Bond 126/30 X
1,452,640 4/1923 Huuck D7/109 X
2,974,662 3/1961 Forrest 126/9 R X

Primary Examiner—Catherine E. Kemper

[57]

CLAIM

The ornamental design for a campfire cook stand, as shown and described.

DESCRIPTION

FIG. 1 is a side elevational view of a campfire cook stand, showing my new design;

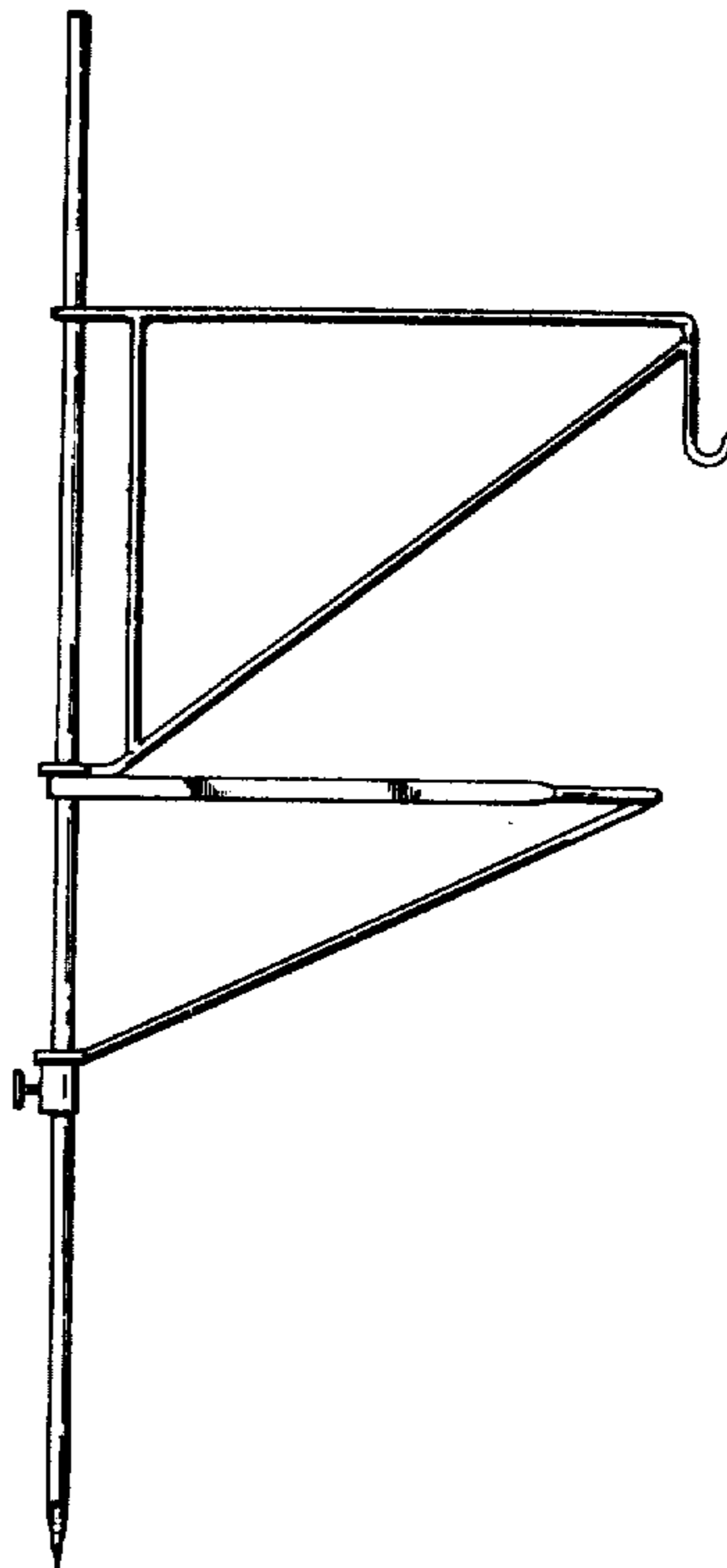
FIG. 2 is a front elevation thereof;

FIG. 3 is a top plan view thereof;

FIG. 4 is a side elevation thereof taken from the opposite side as regards FIG. 1;

FIG. 5 is a rear elevation thereof; and

FIG. 6 is a bottom plan view thereof.



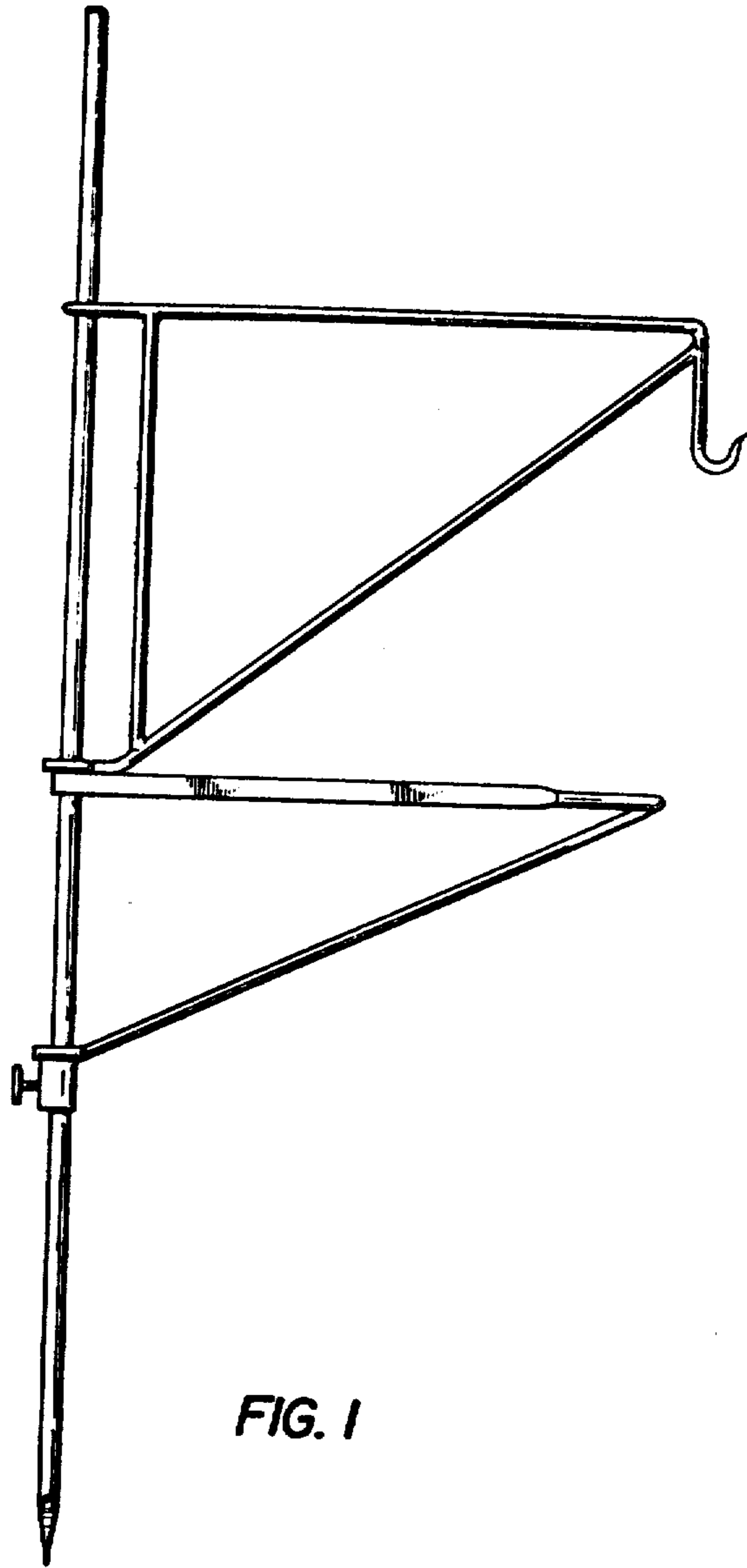


FIG. 1

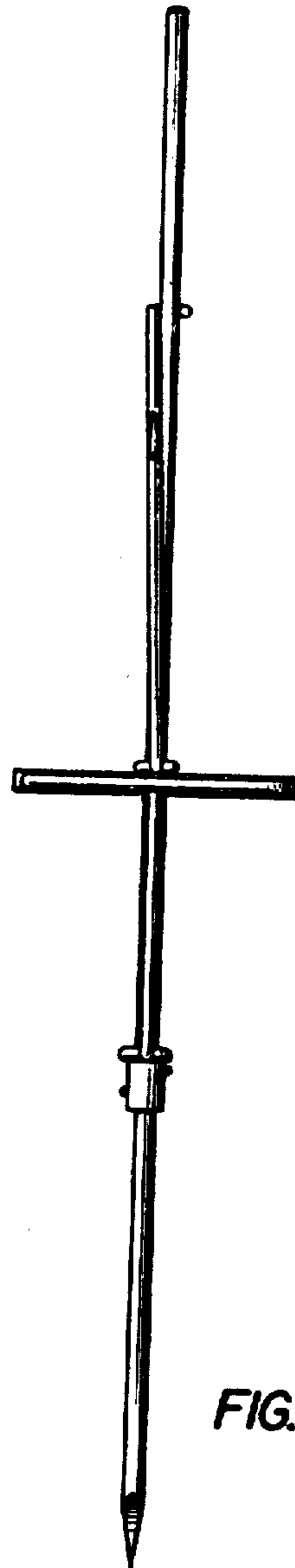


FIG. 2

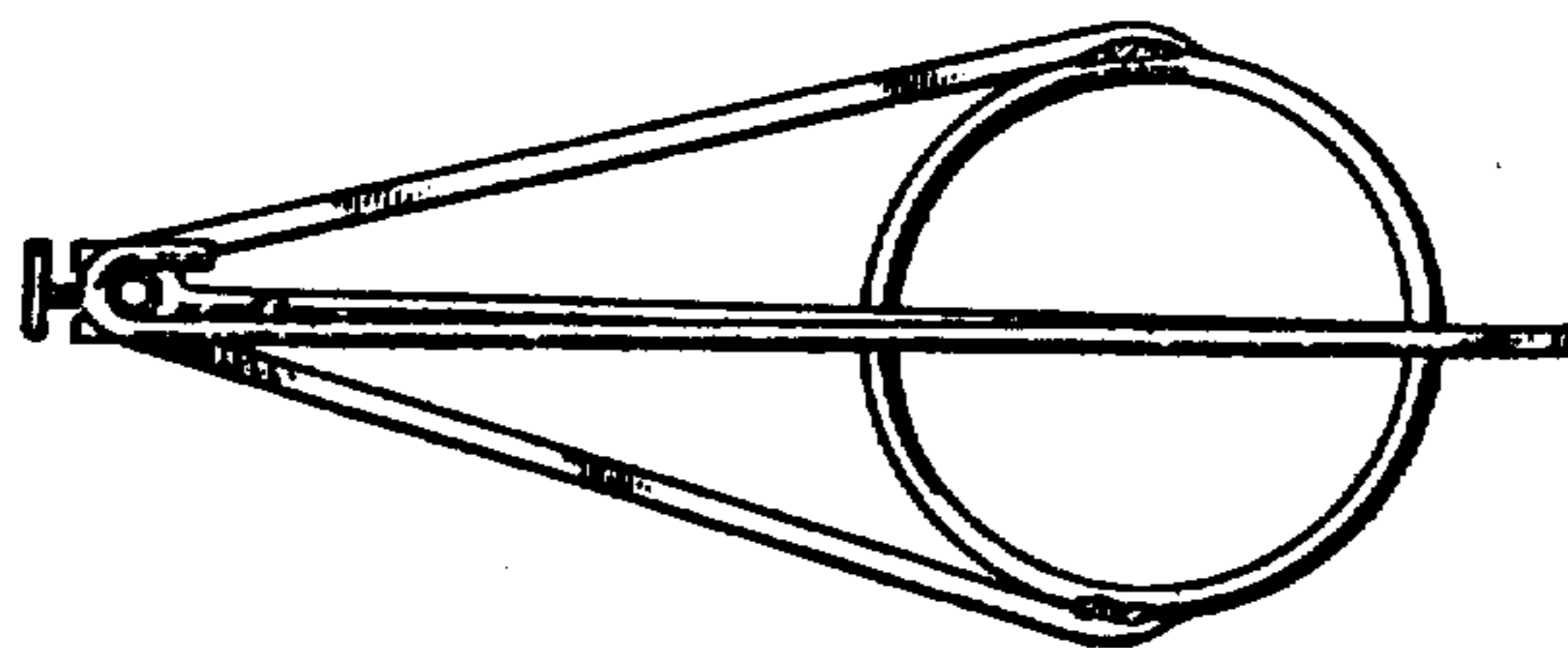


FIG. 3

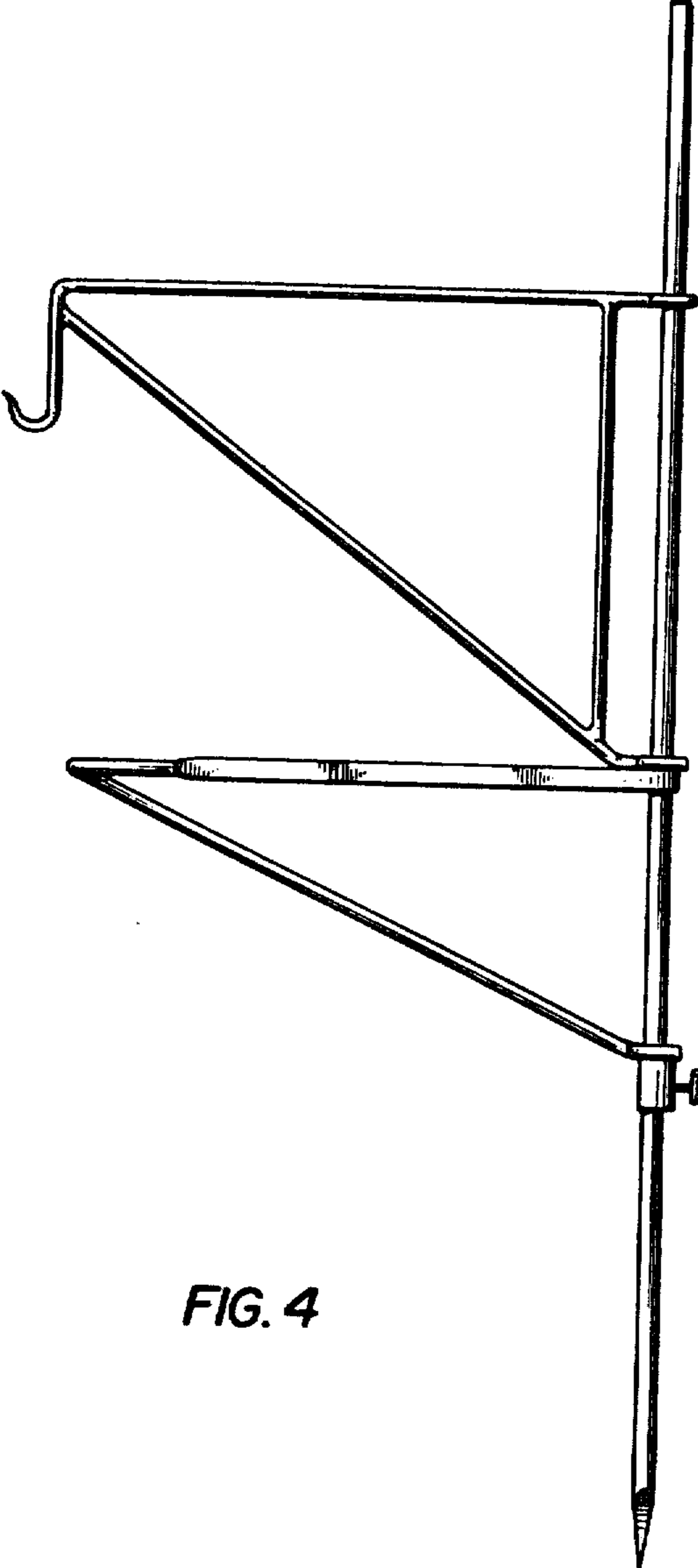


FIG. 4

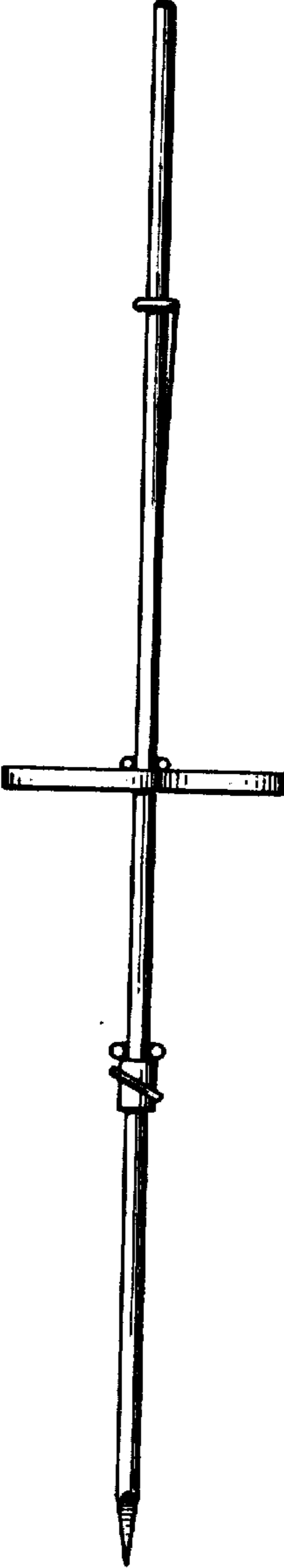


FIG. 5

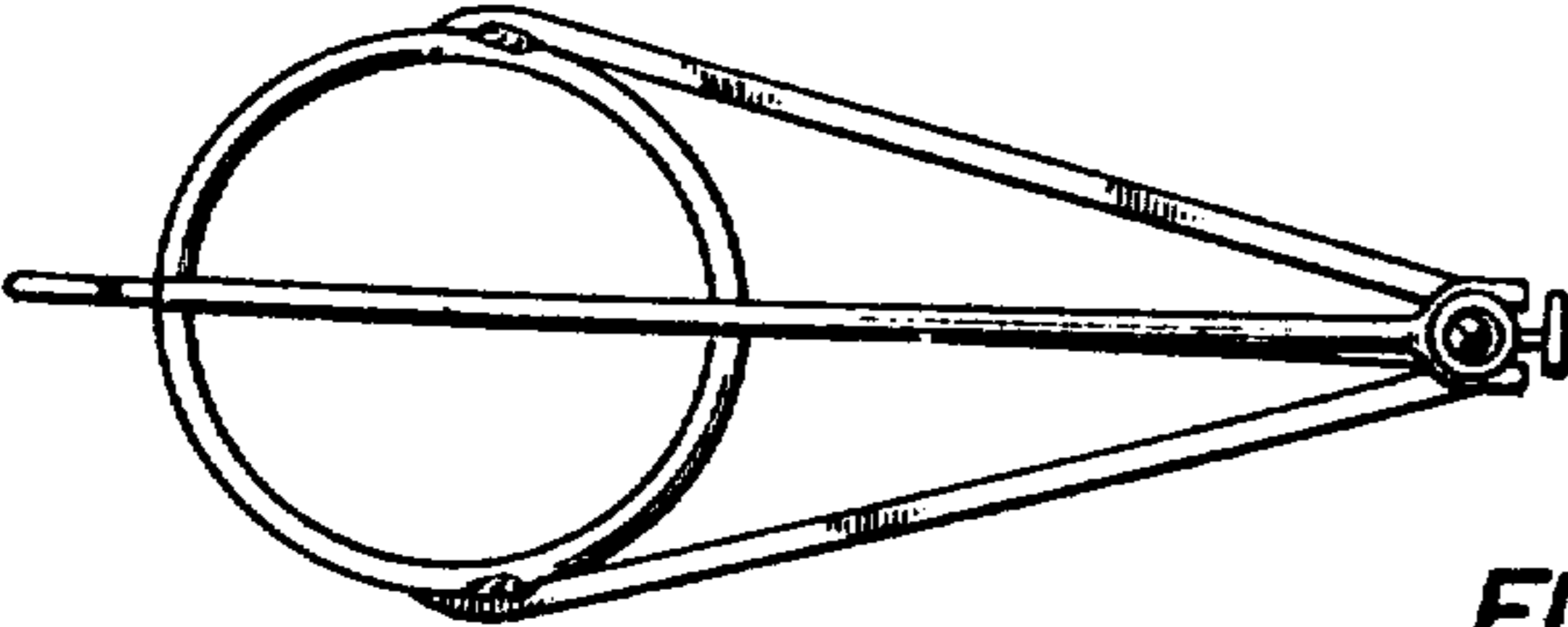


FIG. 6