

[54] **PICTURE DISPLAY FRAME**

[76] Inventor: **Donald B. Smith, R.R. #1, Mount Brydges, Ontario, Canada, N0L 1W0**

[**] Term: **14 Years**

[21] Appl. No.: **44,844**

[22] Filed: **Jun. 4, 1979**

[51] Int. Cl. **D6-07**

[52] U.S. Cl. **D6/234; D6/235**

[58] Field of Search **D6/232-246; D28/71, 61-68; 40/152, 152.1, 152.2, 155, 160; 428/14**

[56] **References Cited**

U.S. PATENT DOCUMENTS

D. 96,743	9/1935	Golden	D6/241
D. 138,734	9/1944	Shipman	D6/234
D. 140,181	1/1945	McGonigal	D6/233
D. 212,886	12/1968	Gordon	D6/238
1,342,248	1/1920	Bloomquist	D6/238
4,194,313	3/1980	Downing	40/155

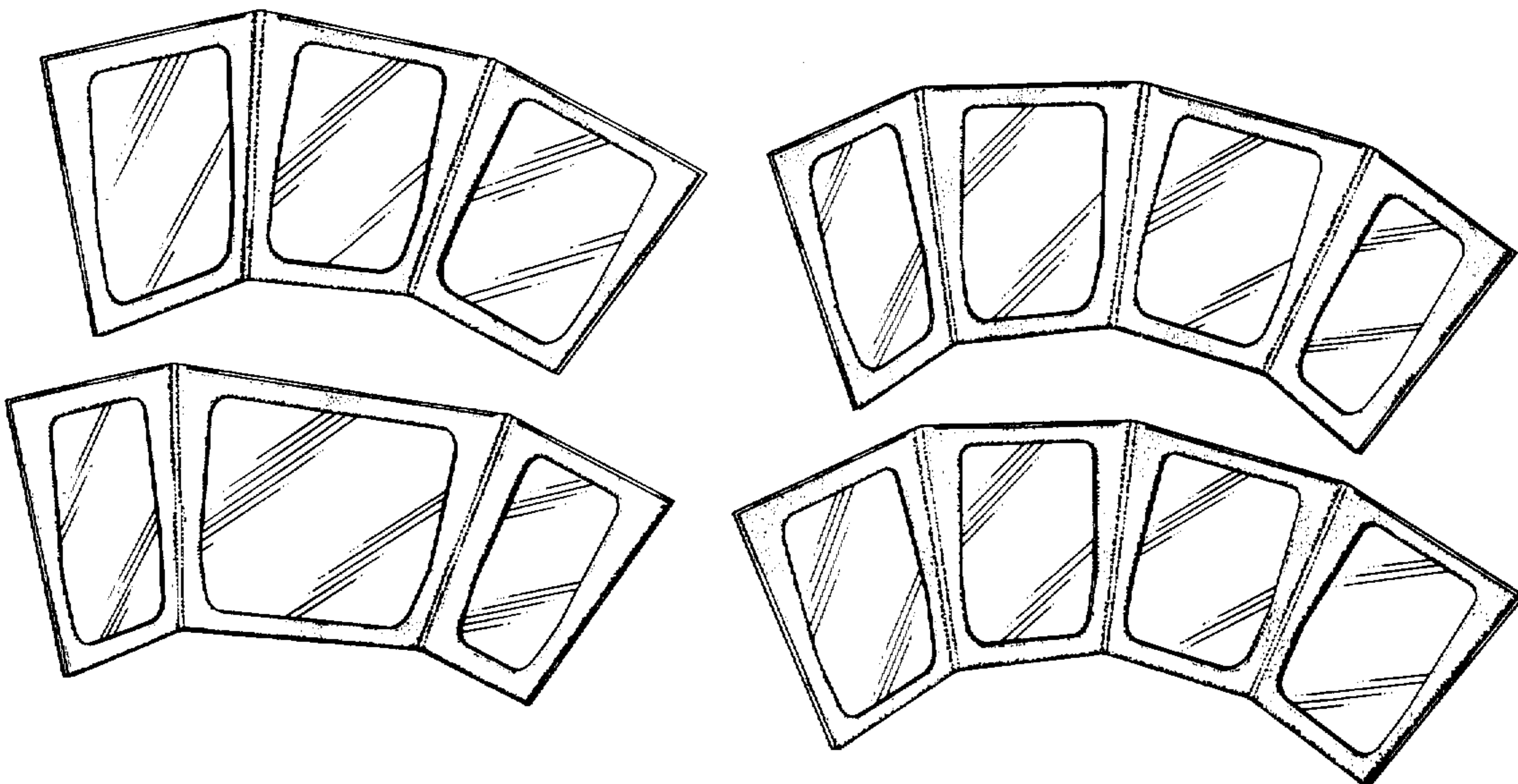
Primary Examiner—Charles A. Rademaker

[57] **CLAIM**

The ornamental design for a picture display frame, as shown and described.

DESCRIPTION

FIG. 1 is a front perspective view of a picture display frame showing my new design;
 FIG. 2 is a bottom perspective view thereof;
 FIG. 3 is a front elevational view thereof;
 FIG. 4 is a right side elevational view thereof, the side opposite being a mirror image;
 FIG. 5 is a front perspective view of a modified form of the design shown in FIGS. 1 through 4;
 FIG. 6 is a bottom perspective view thereof;
 FIG. 7 is a front elevational view thereof;
 FIG. 8 is a right side elevational view thereof, the side opposite being a mirror image;
 FIG. 9 is a front perspective view of a second modified form of the design shown in FIGS. 1 through 4;
 FIG. 10 is a bottom perspective view thereof;
 FIG. 11 is a front elevational view thereof;
 FIG. 12 is a right side elevational view thereof, the side opposite being a mirror image;
 FIG. 13 is a front perspective view of a third modified form of the design shown in FIGS. 1 through 4;
 FIG. 14 is a bottom perspective view thereof;
 FIG. 15 is a front elevational view thereof; and,
 FIG. 16 is a right side elevational view thereof, the side opposite being a mirror image.



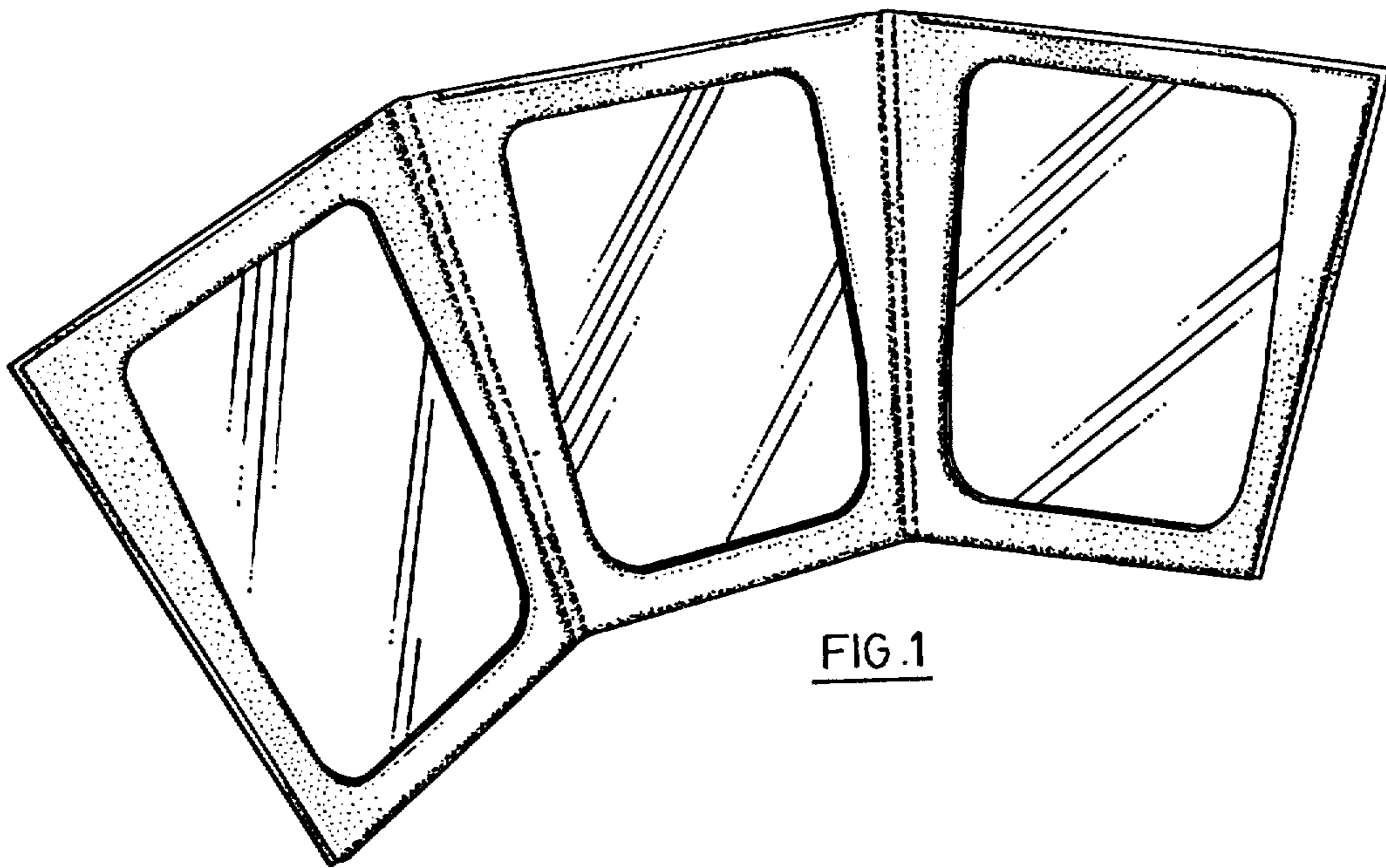


FIG. 1

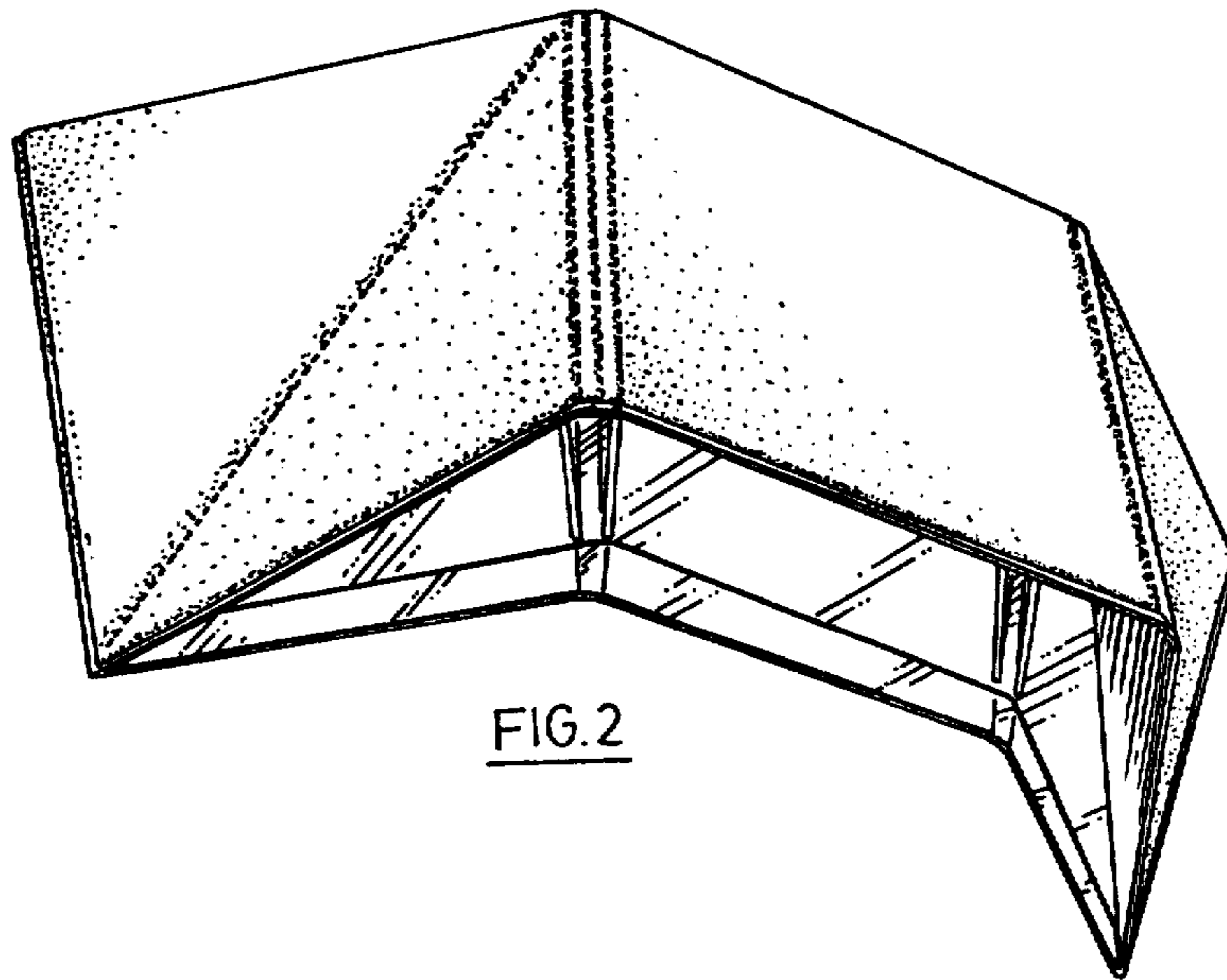


FIG. 2

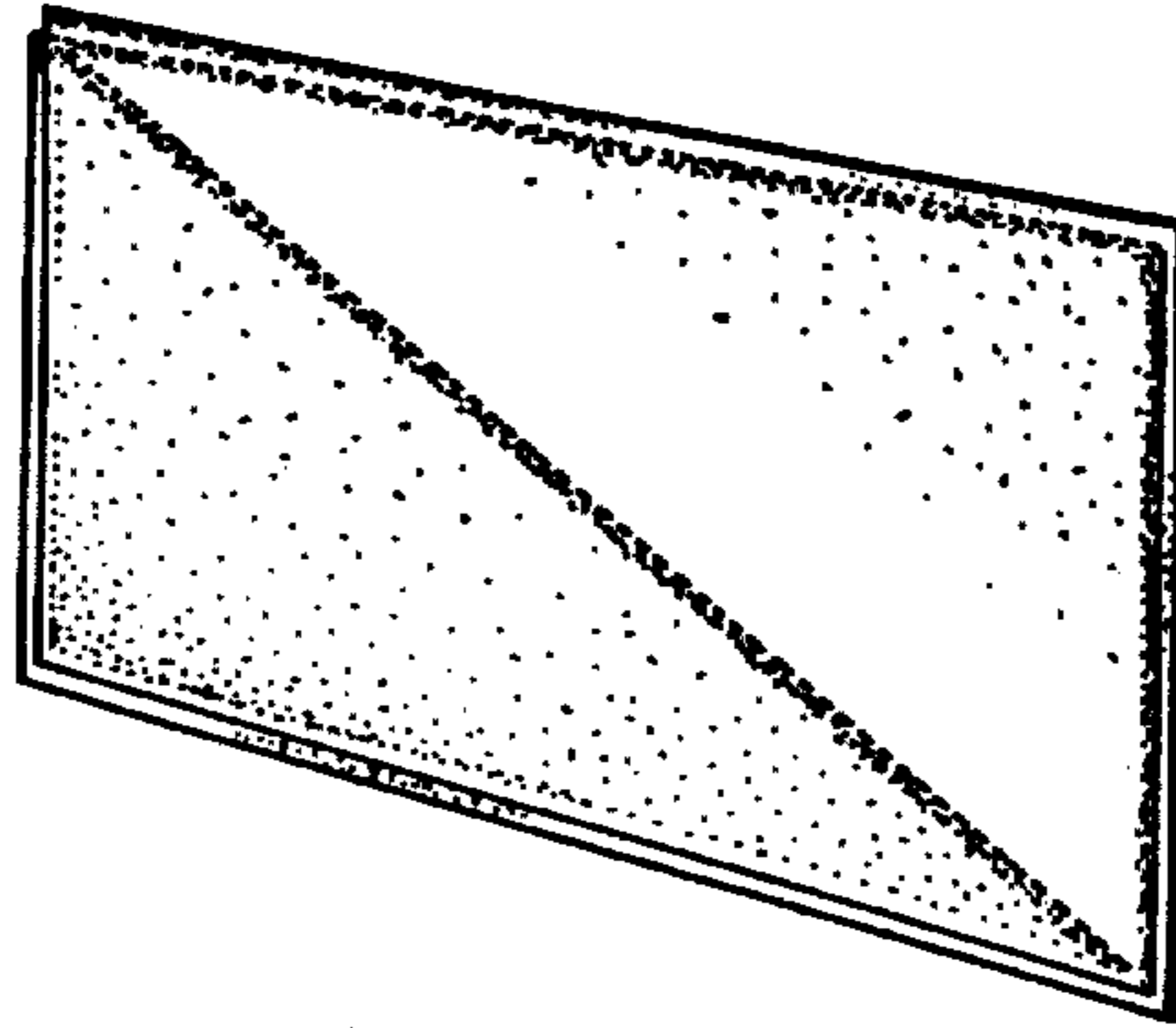


FIG. 4

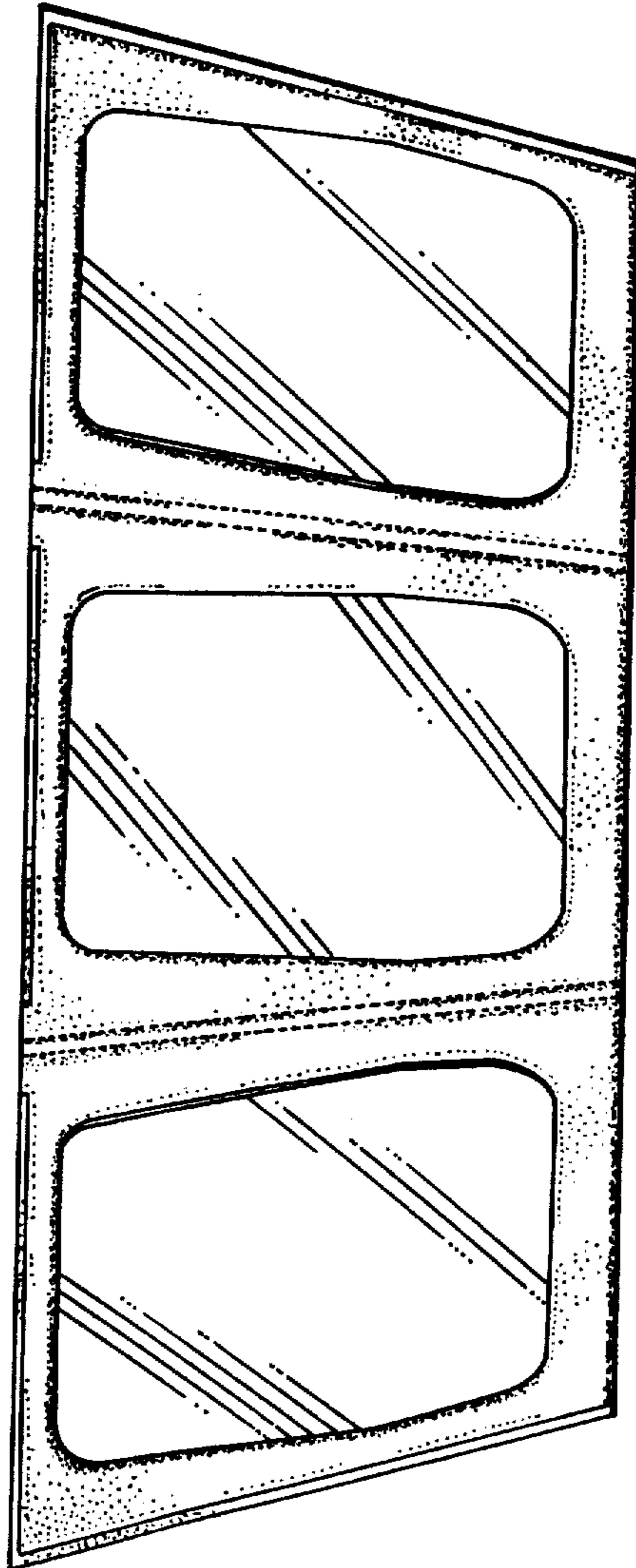


FIG. 3

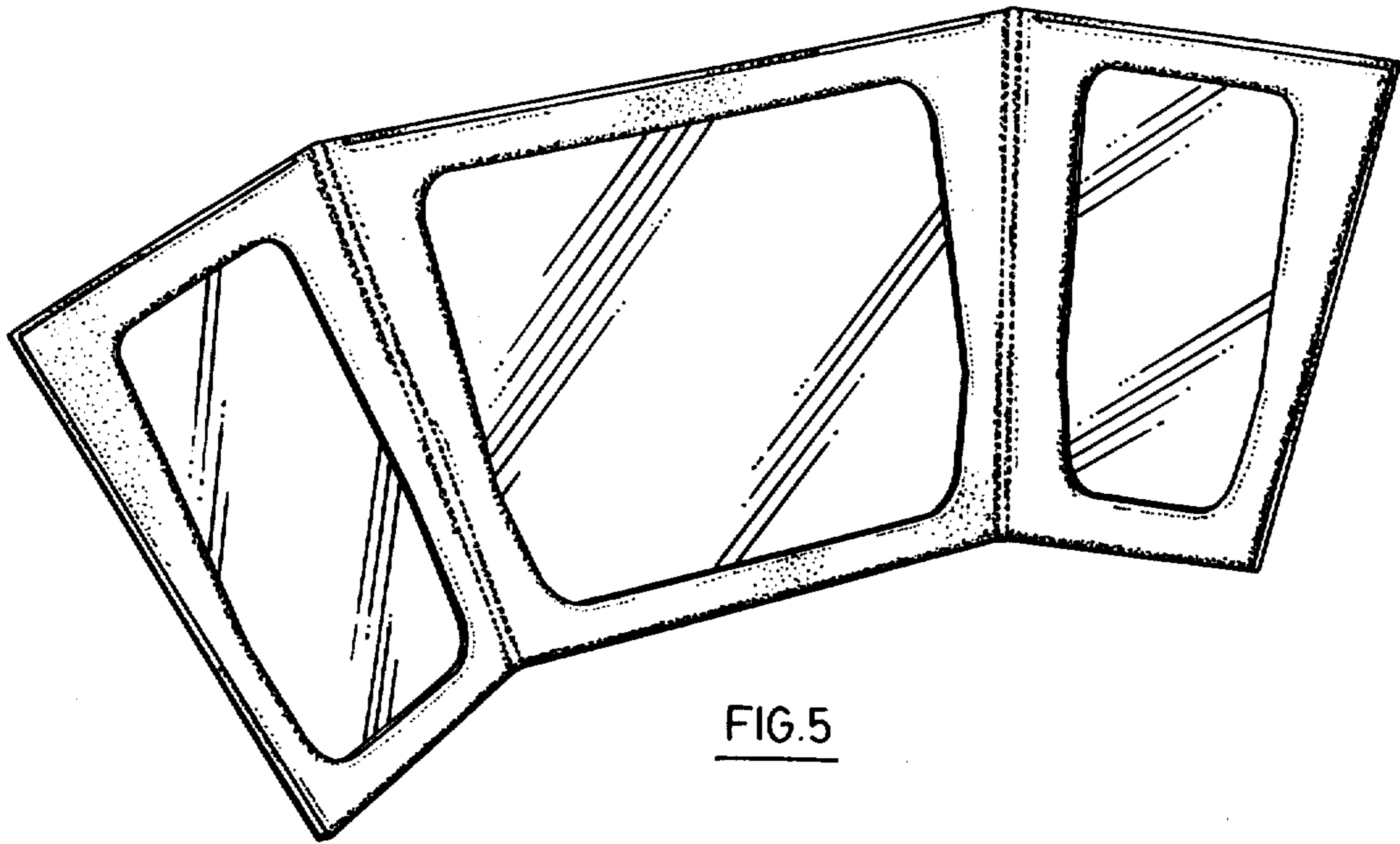


FIG. 5

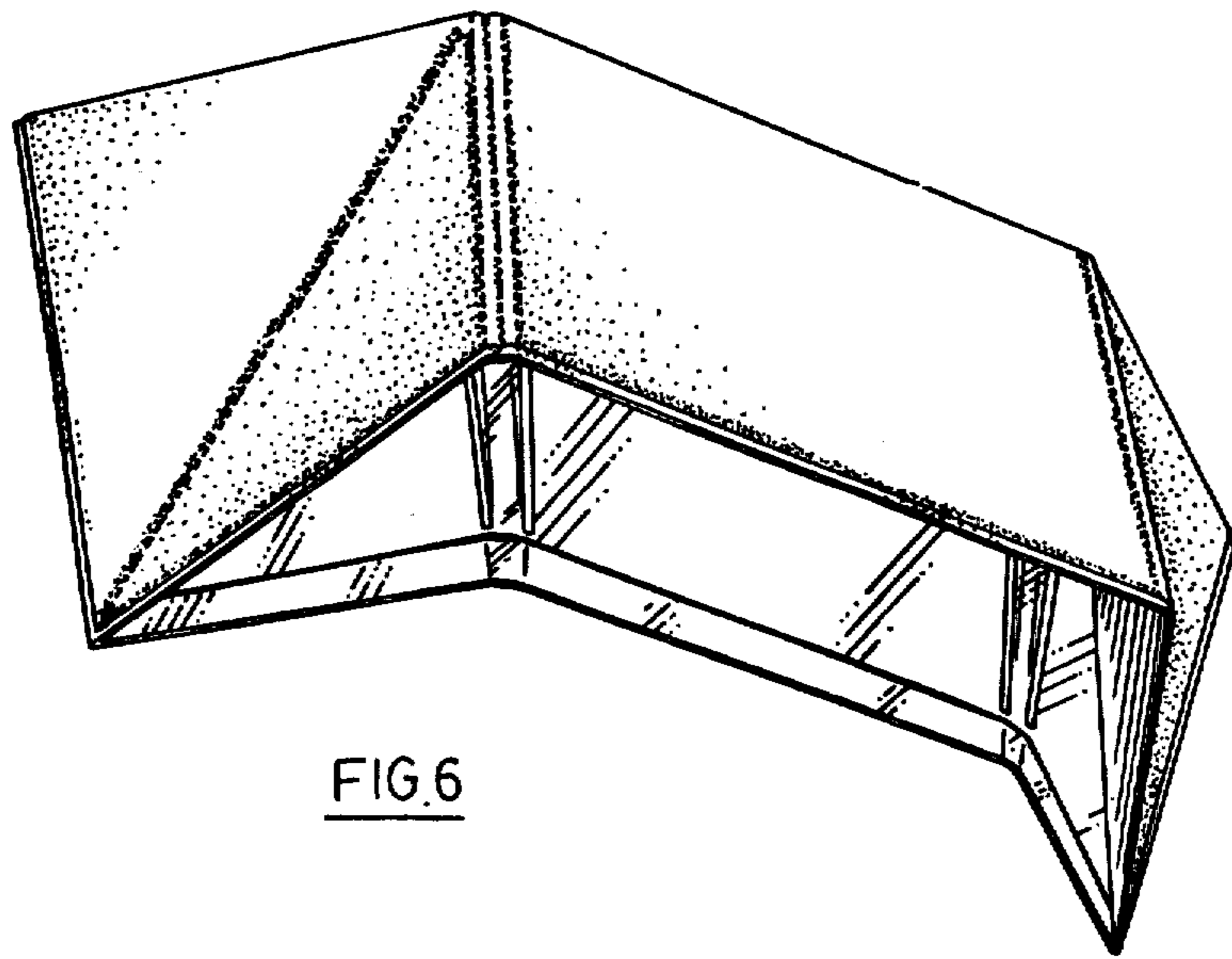


FIG. 6

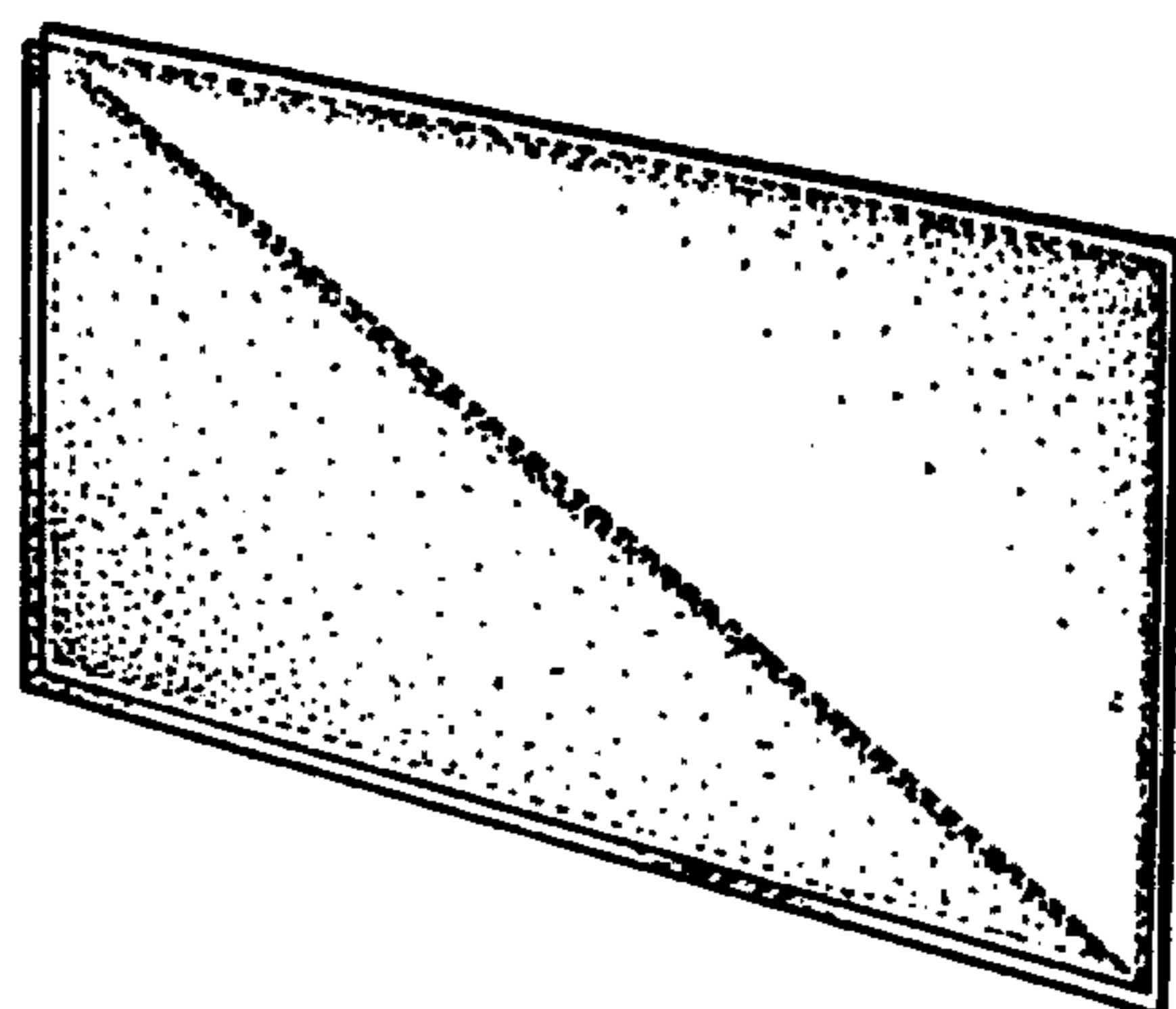


FIG. 8

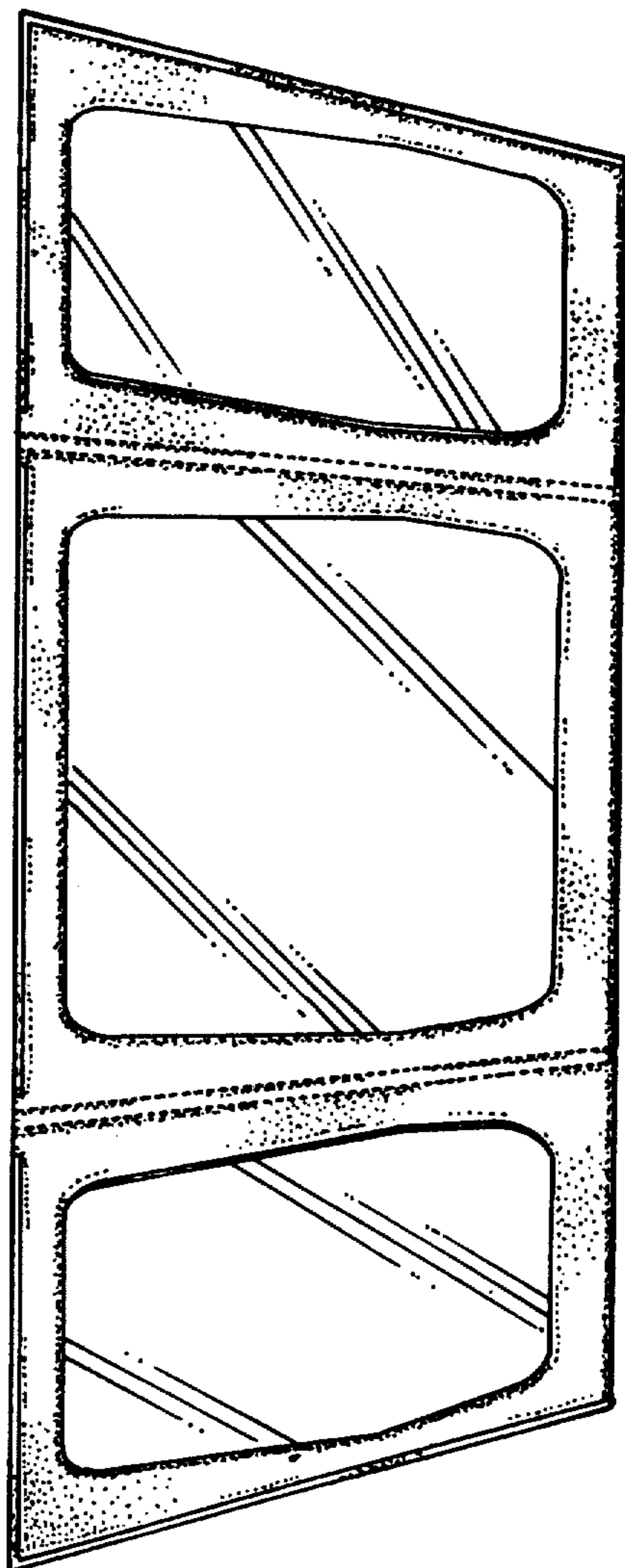


FIG. 7

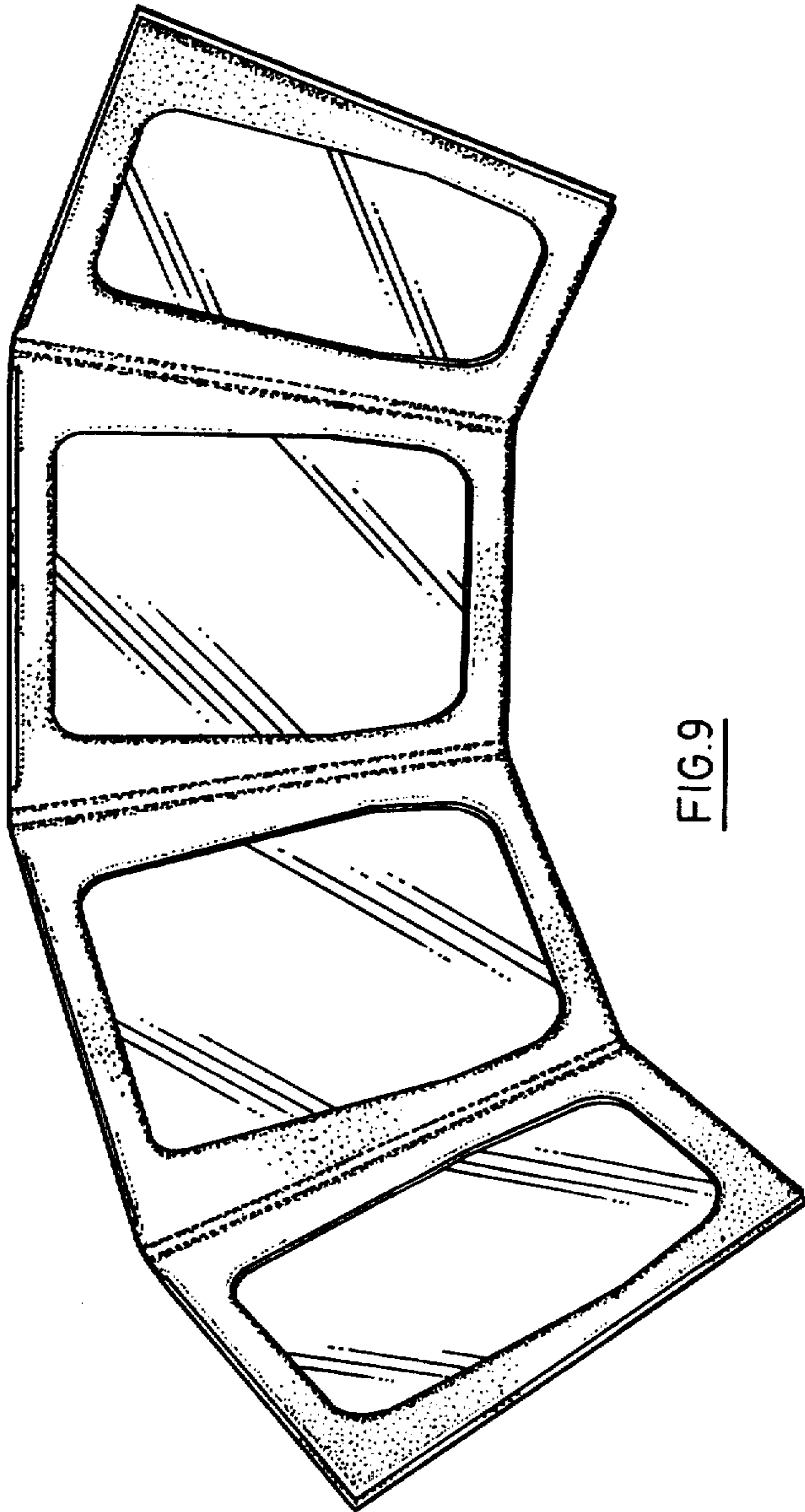


FIG. 9

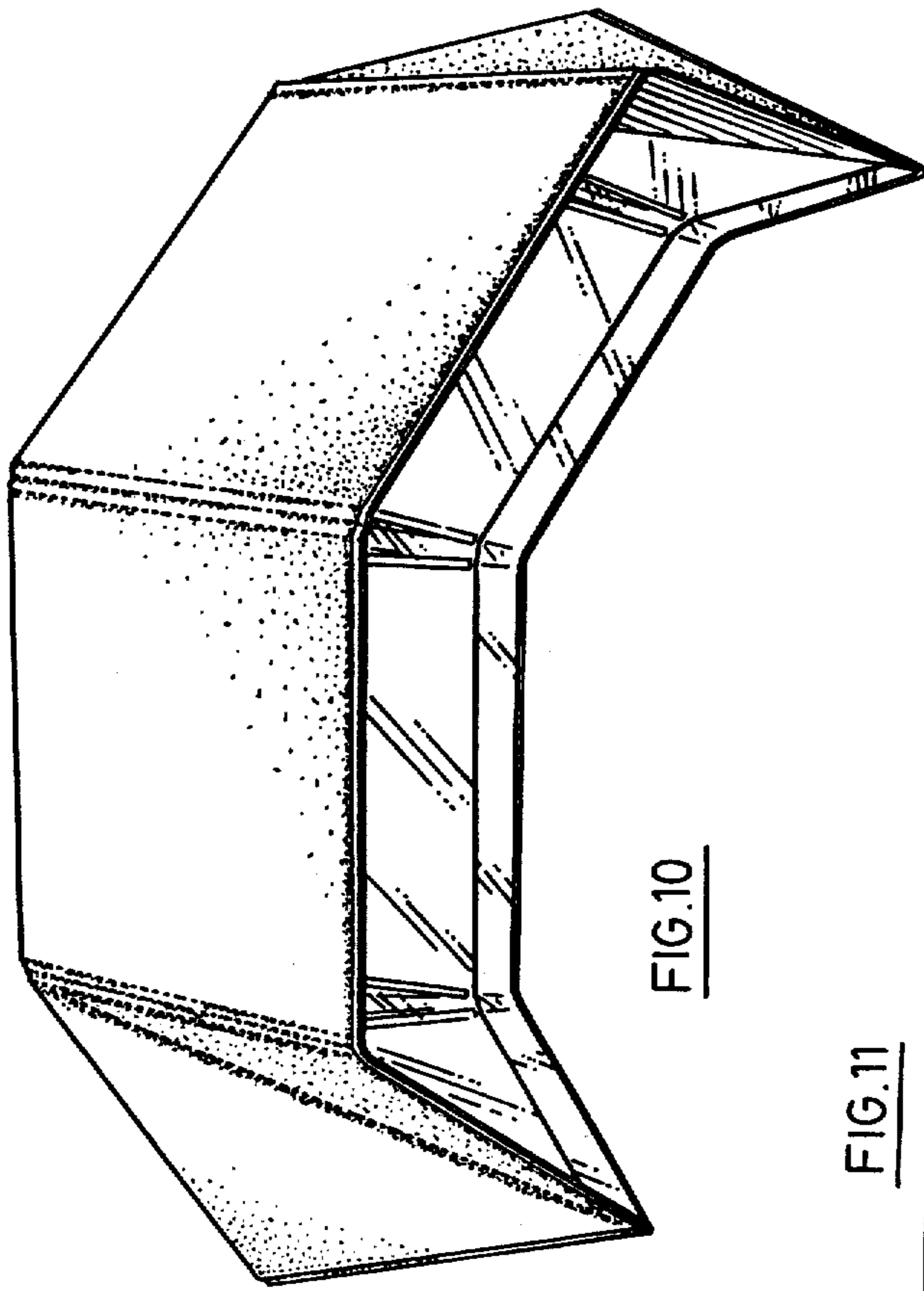


FIG. 11

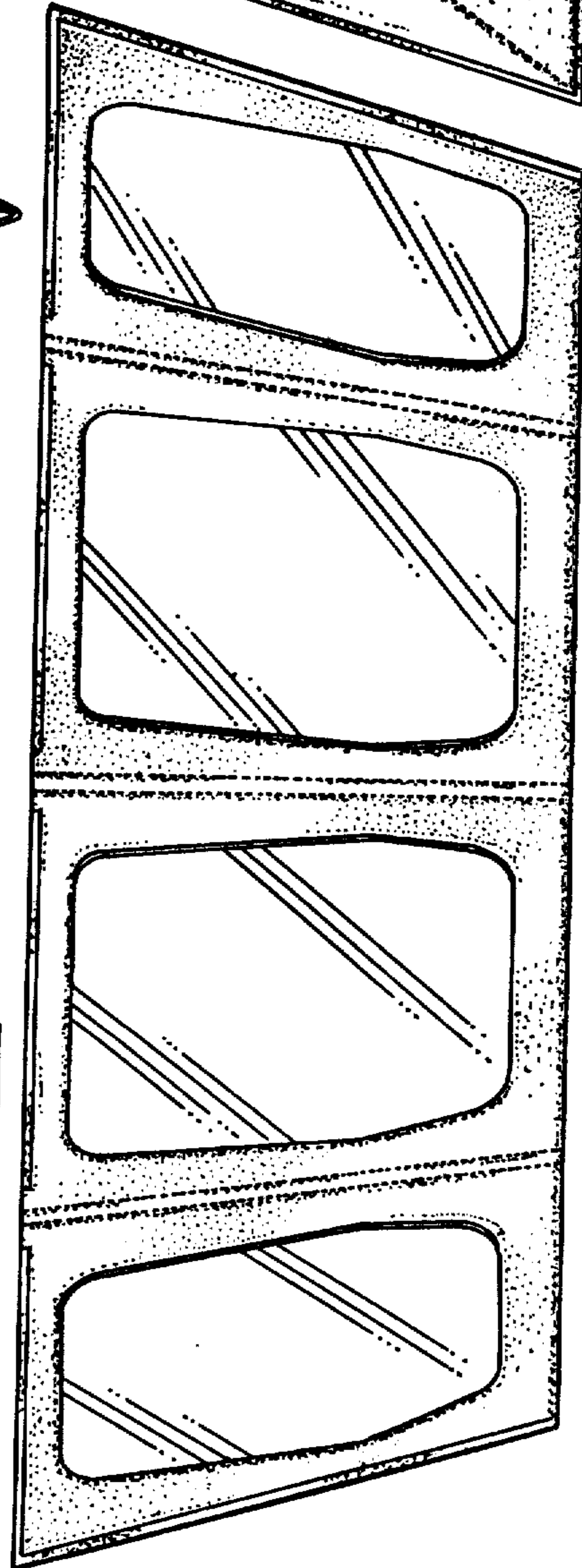
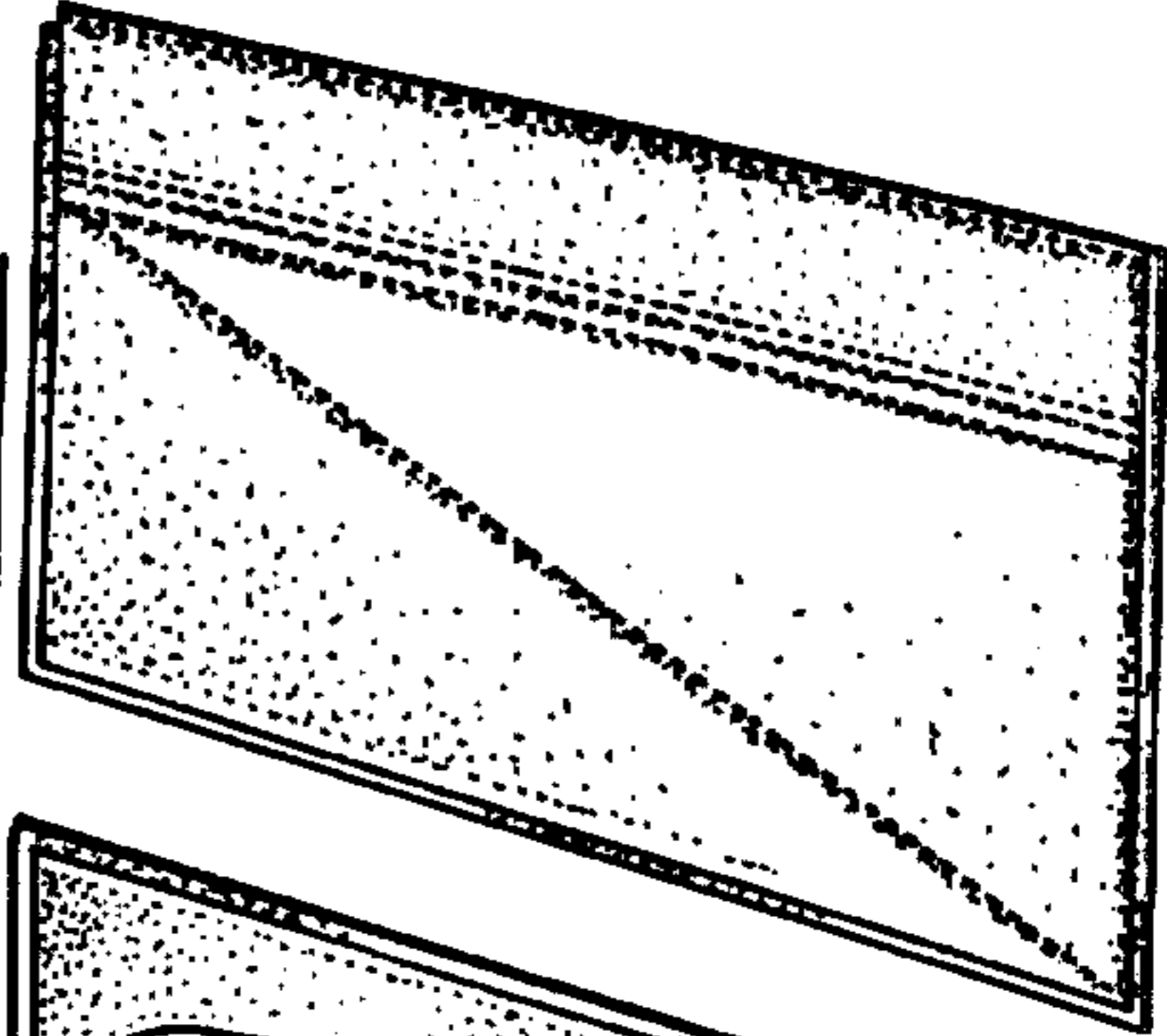


FIG. 12



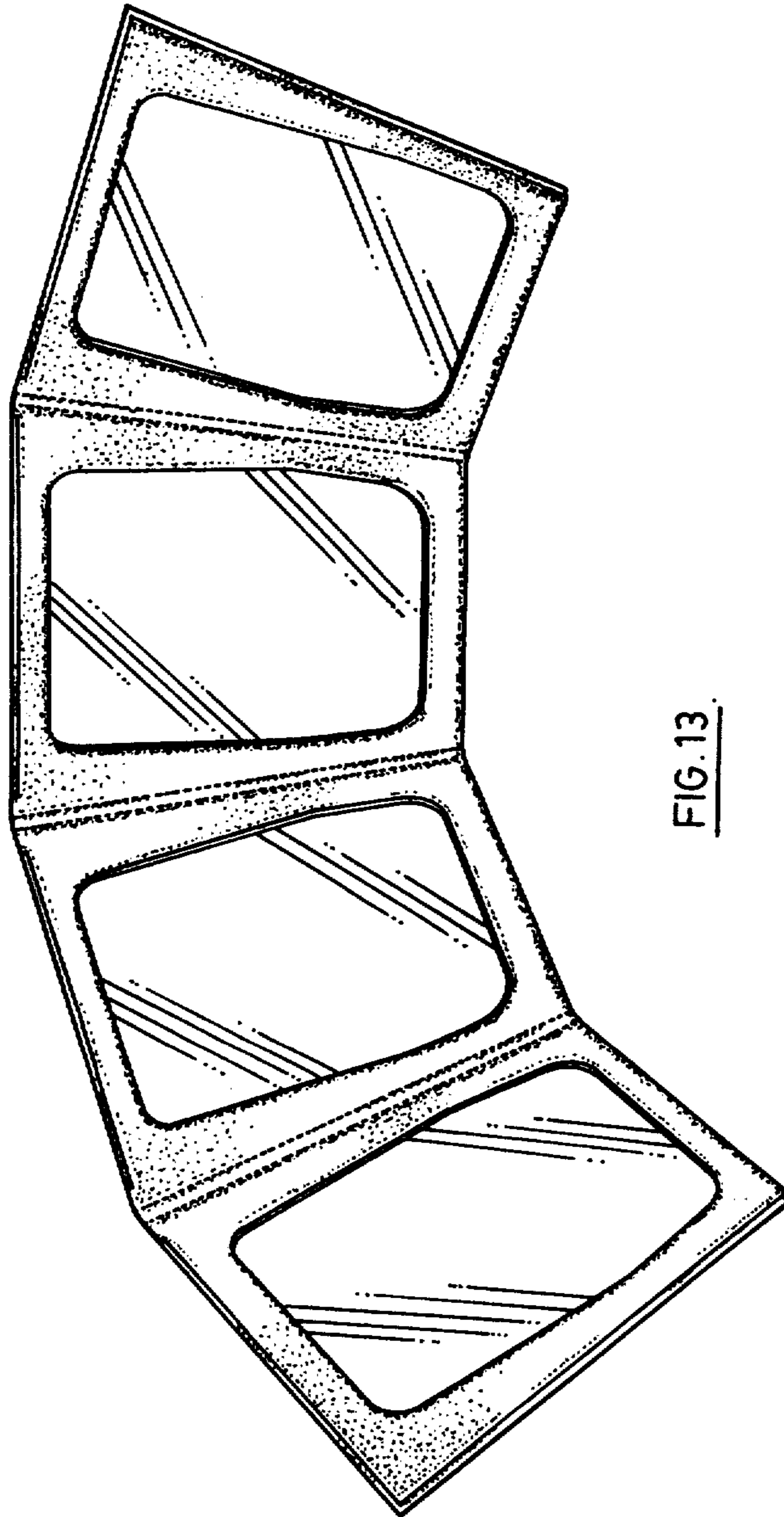


FIG. 13.

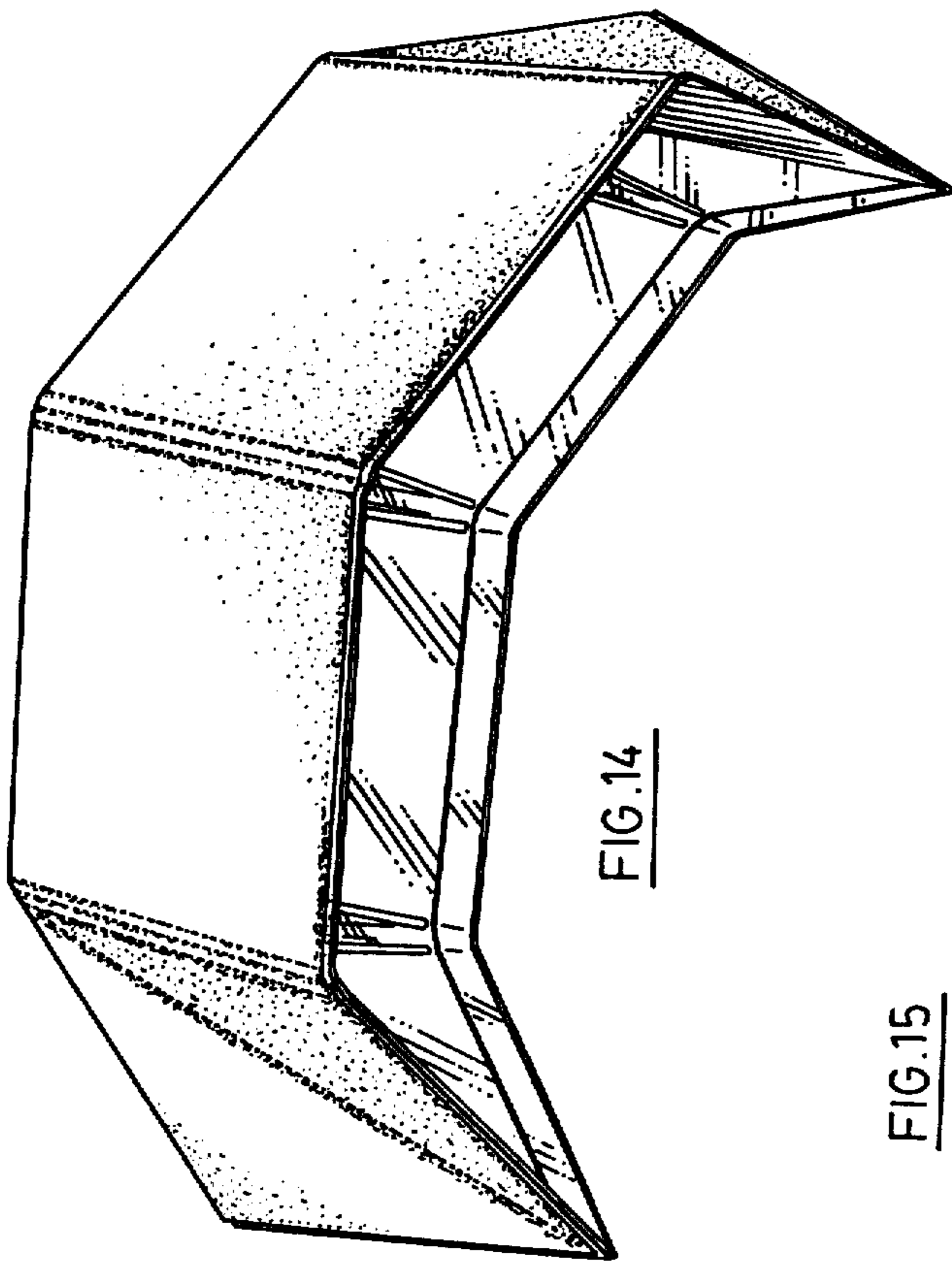


FIG. 15

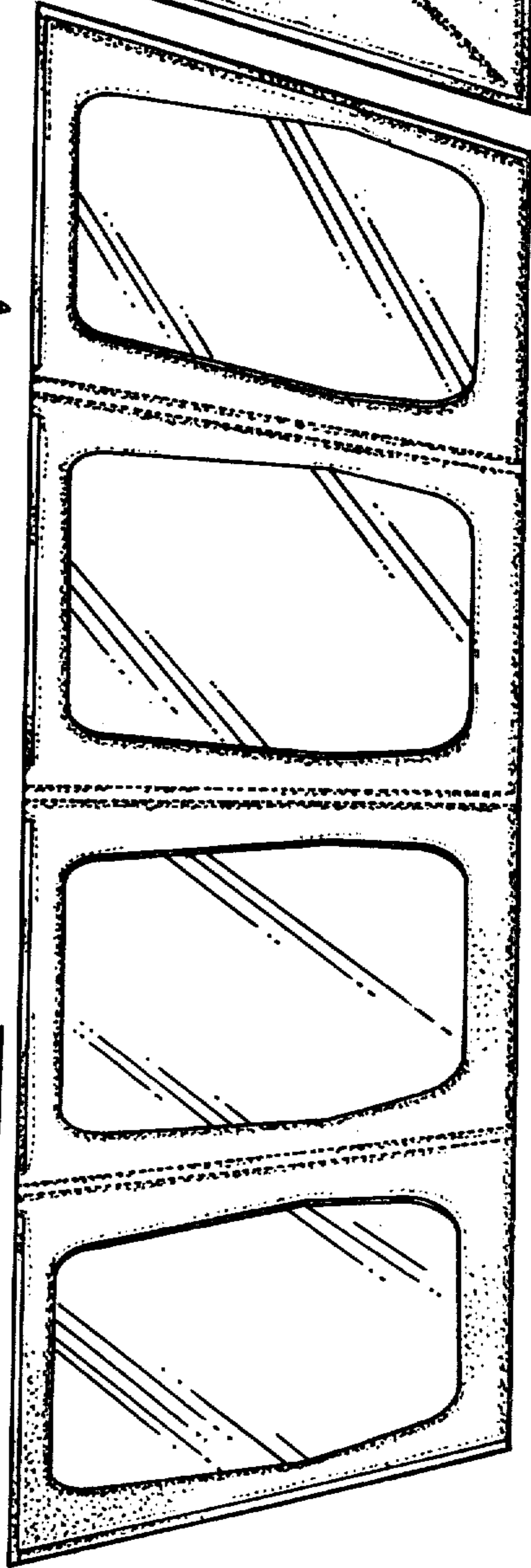


FIG. 16

