

[54] COMBINED STOOL AND FOOTREST

[76] Inventor: Jeffrey R. Fear, 207 Queens Quay West, Toronto, Ontario, Canada

[**] Term: 14 Years

[21] Appl. No.: 904,719

[22] Filed: May 10, 1978

[51] Int. Cl. D6-01

[52] U.S. Cl. D6/35

[58] Field of Search D6/32-36, D6/20, 27, 26, 31, 29; 297/344, 345, 346

[56] References Cited

U.S. PATENT DOCUMENTS

D. 201,434 6/1965 Melchior D6/34

OTHER PUBLICATIONS

Interiors, 2-77, p. 44, Stool top center by ICF. Design Catalog, 10-71, p. 78, Chair top center by Philip Sullivan.

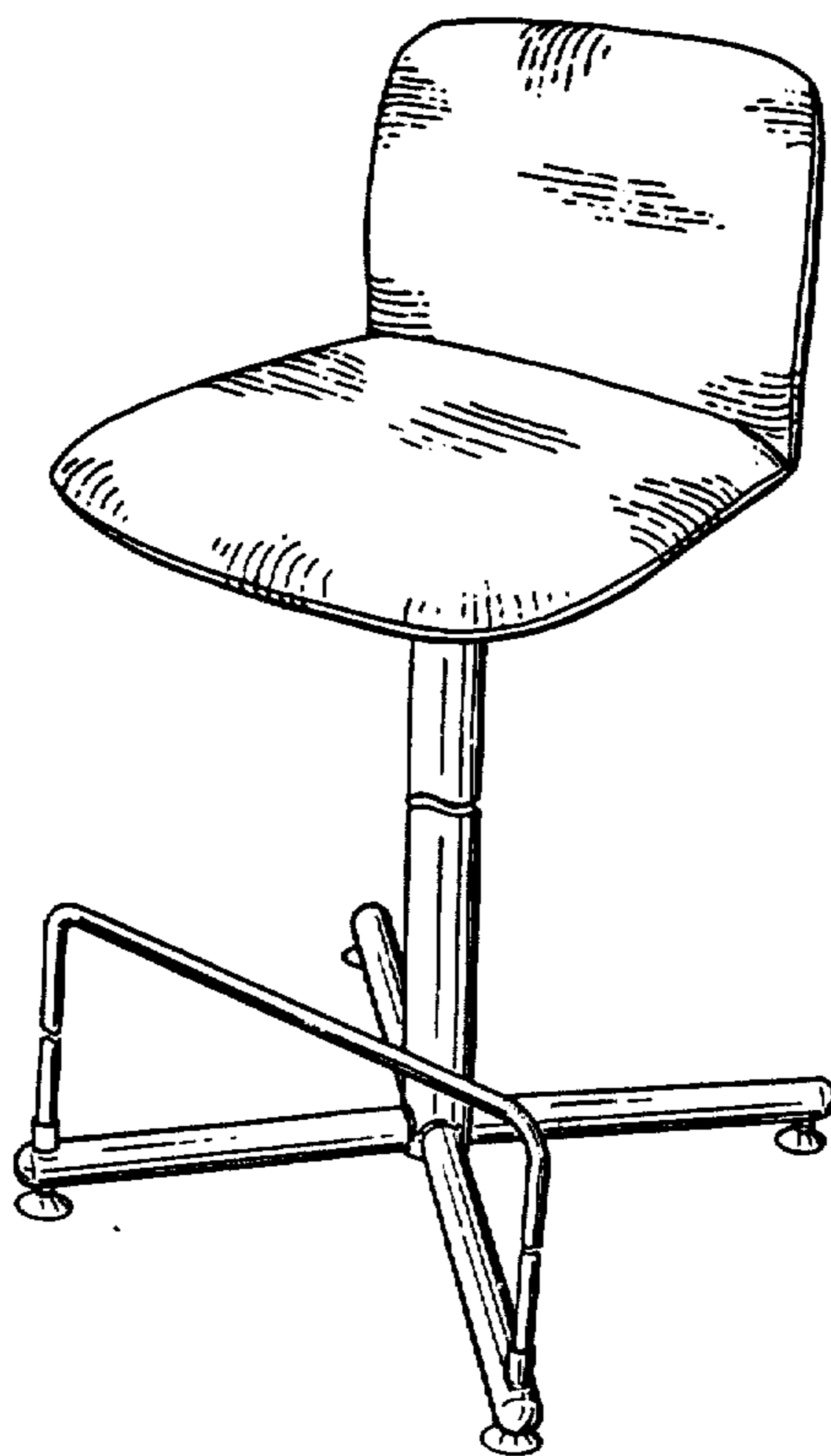
Primary Examiner—Bruce W. Dunkins
Attorney, Agent, or Firm—Rogers, Bereskin & Parr

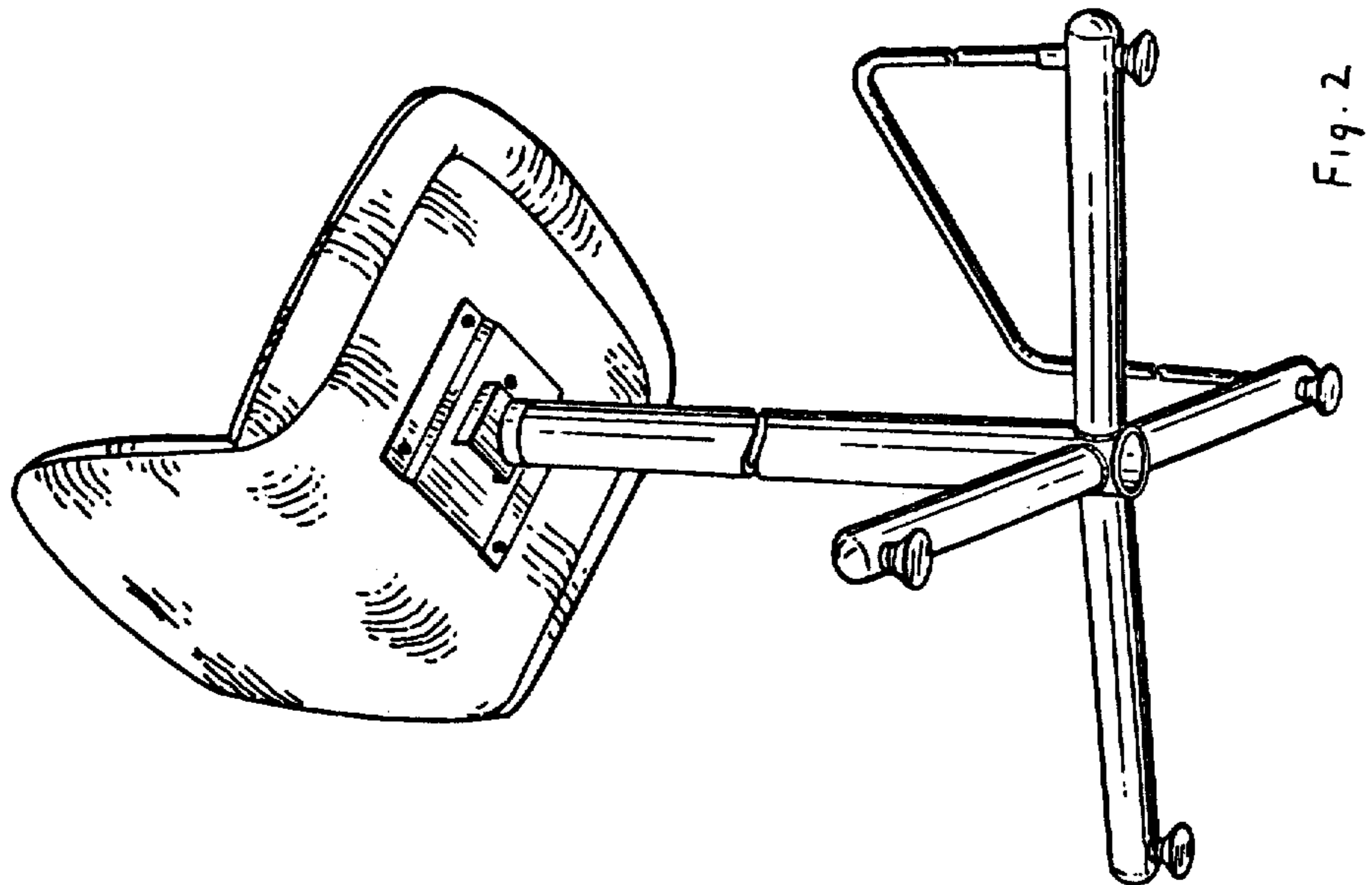
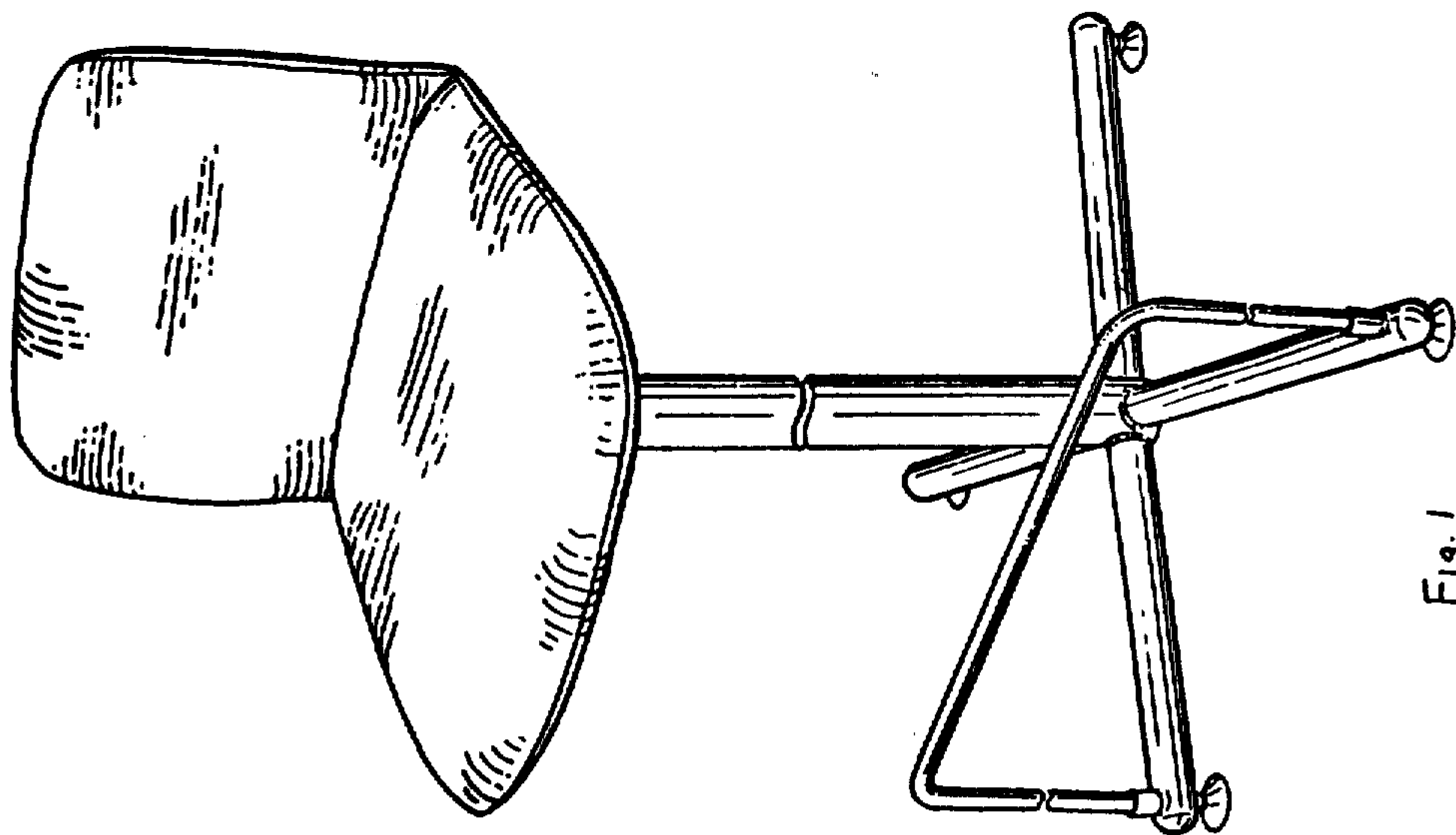
[57] CLAIM

The ornamental design for a combined stool and footrest, as shown and described.

DESCRIPTION

FIG. 1 is a front perspective view of a combined stool and footrest showing my design; FIG. 2 is a rear perspective view thereof; FIG. 3 is a perspective view of a modified form of the combined stool and footrest; and FIG. 4 is a rear perspective view thereof. The pedestal and the footrest are shown broken away at the center to indicate indeterminate height.





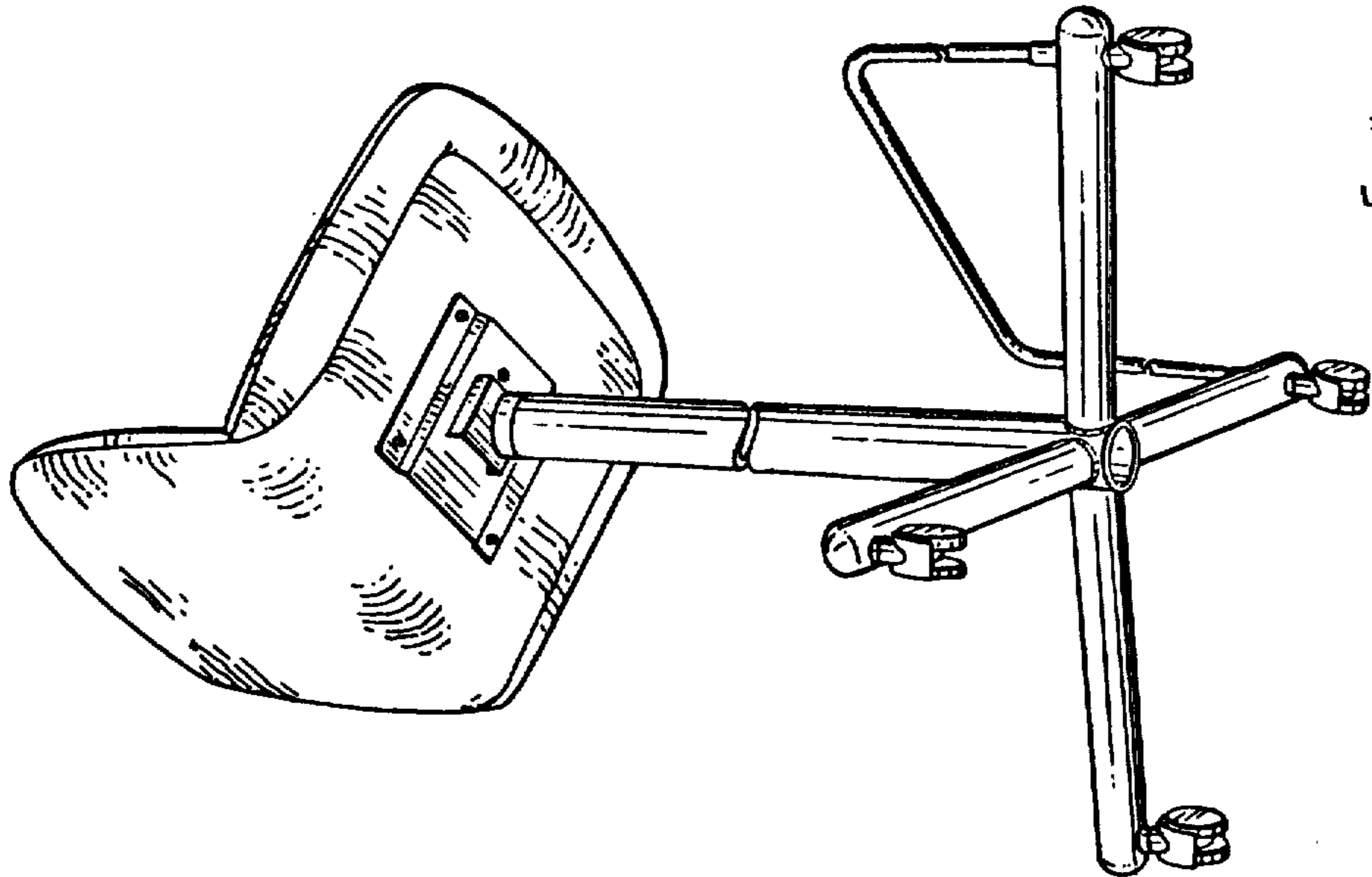


Fig. 4

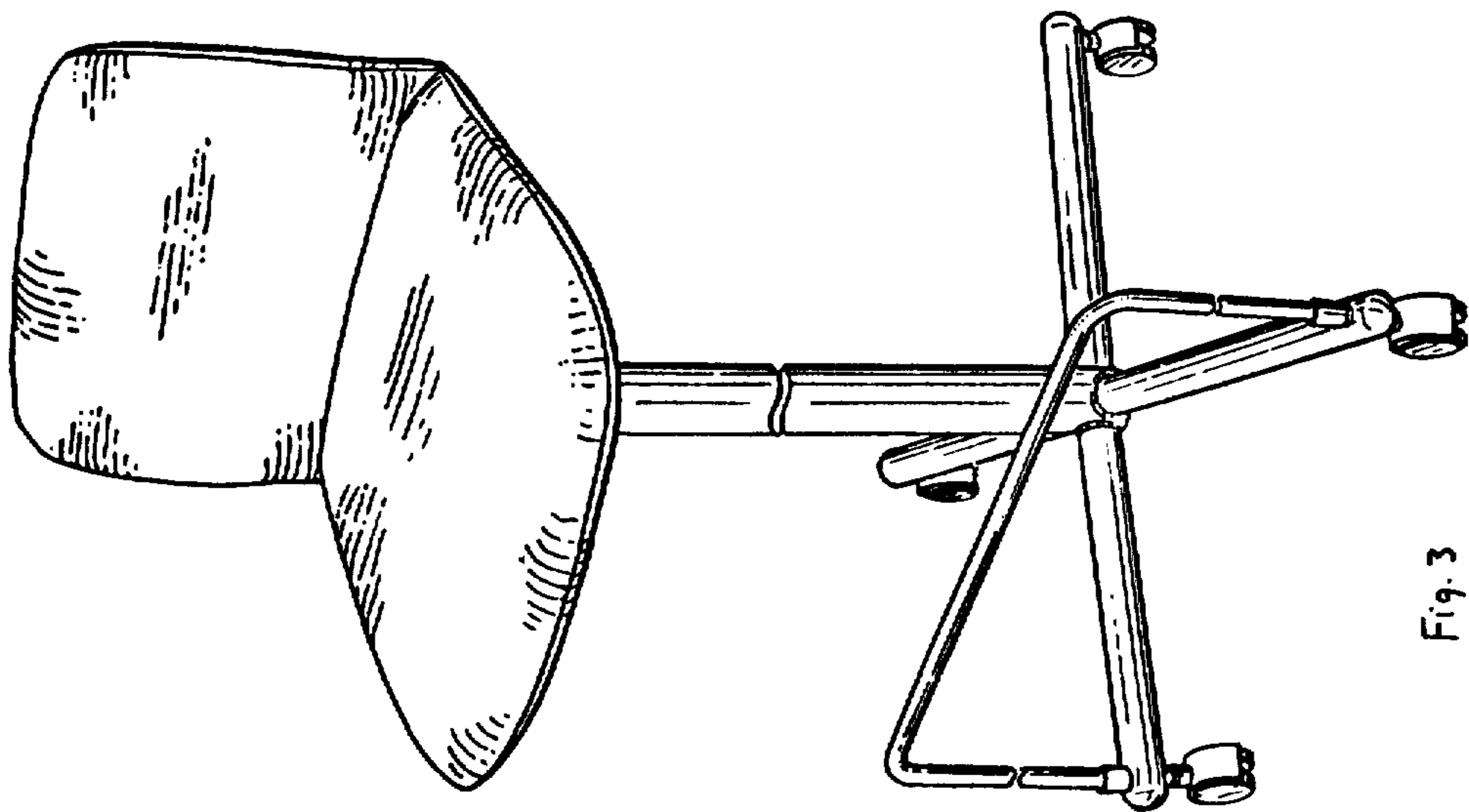


Fig. 3