

[54] COMBINED ROOM DIVIDER, TELEVISION CABINET, STEREO CABINET, BAR AND AQUARIUM SUPPORT UNIT

[76] Inventor: Richard Lattimore, 504-B Saunders Pl., High Point, N.C. 27260

[\*\*] Term: 14 Years

[21] Appl. No.: 960,583

[22] Filed: Nov. 13, 1978

[51] Int. Cl. D06-04

[52] U.S. Cl. D6/4; D6/144; D14/79; D30/11

[58] Field of Search D6/157, 158, 159, 164, D6/166, 168, 169, 172, 173, 174, 179, 144, 186, 4, 139; D3/40; D12/155; D7/107, 110; D14/77, 79, 83; D30/11; D25/58

[56]

References Cited

U.S. PATENT DOCUMENTS

D. 100,141	6/1936	Worth	D6/186
D. 198,844	8/1964	Graham	D30/11
D. 217,262	4/1970	Woods	D6/144
D. 228,482	10/1973	Flemings	D6/144
D. 251,035	2/1979	Hart	D12/155

Primary Examiner—Joel Stearman  
Assistant Examiner—Carmen H. Vales  
Attorney, Agent, or Firm—Hugh C. Bennett, Jr.

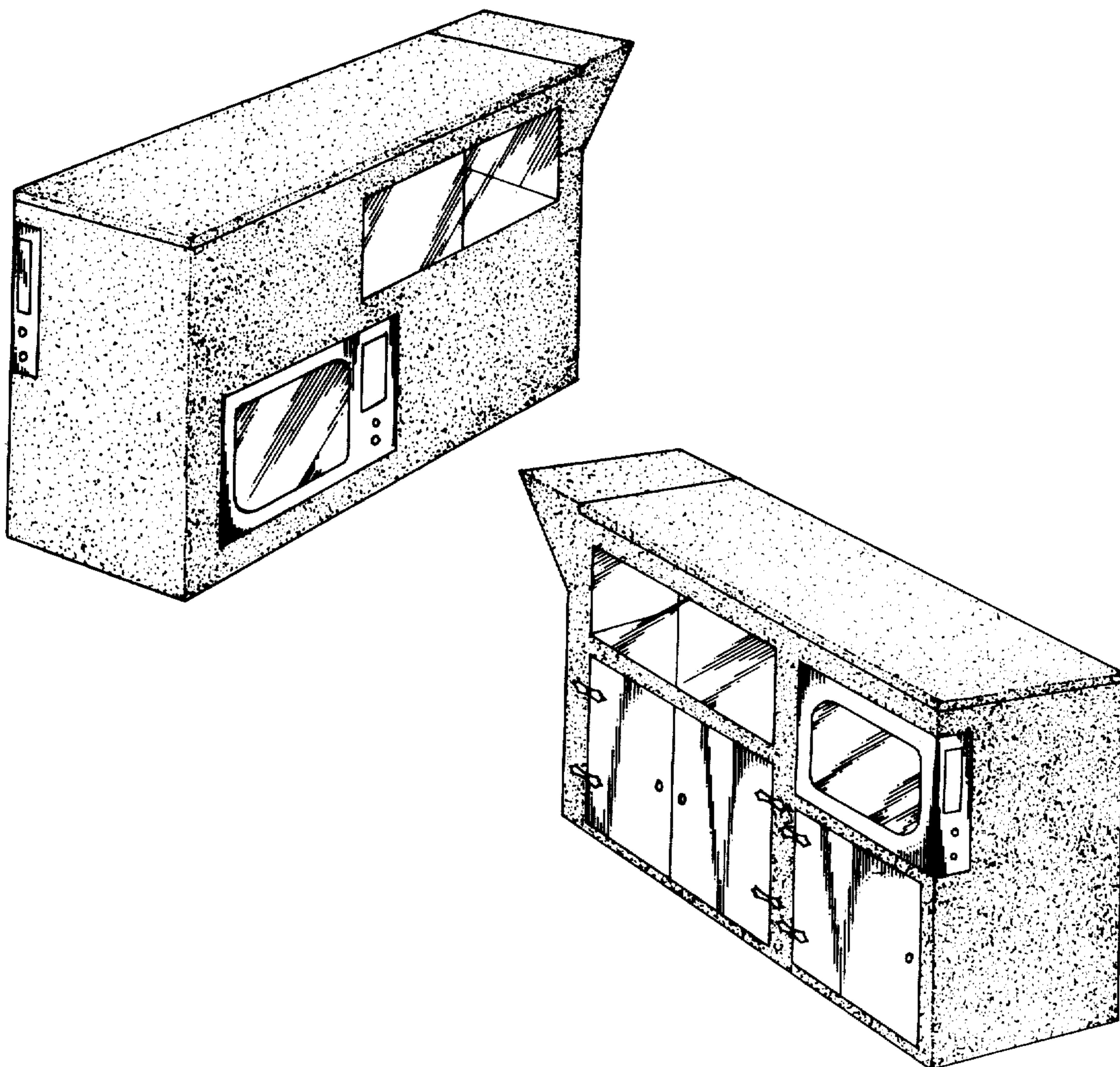
[57]

CLAIM

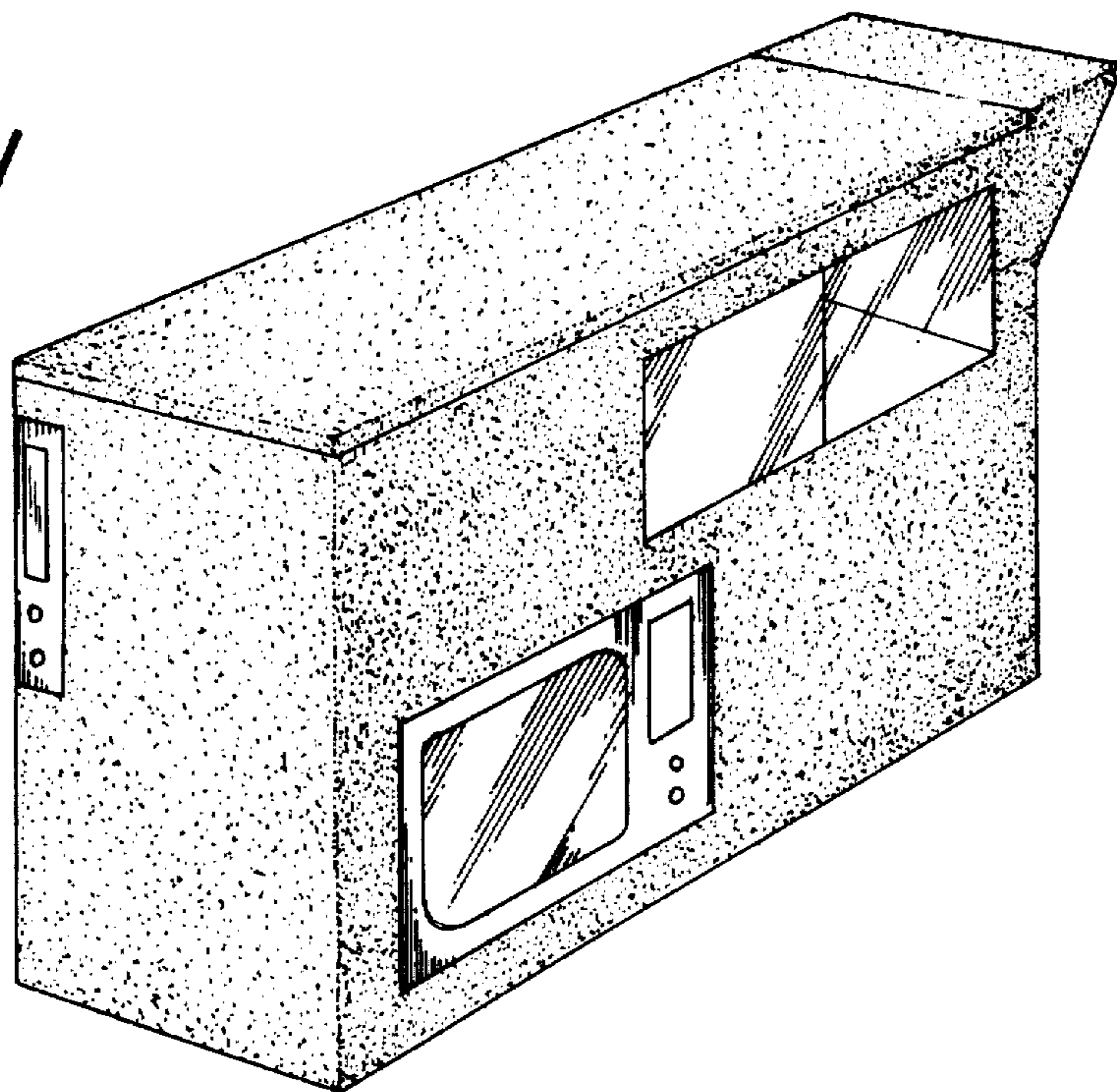
The ornamental design for a combined room divider, television cabinet, stereo cabinet, bar and aquarium support unit, as shown and described.

DESCRIPTION

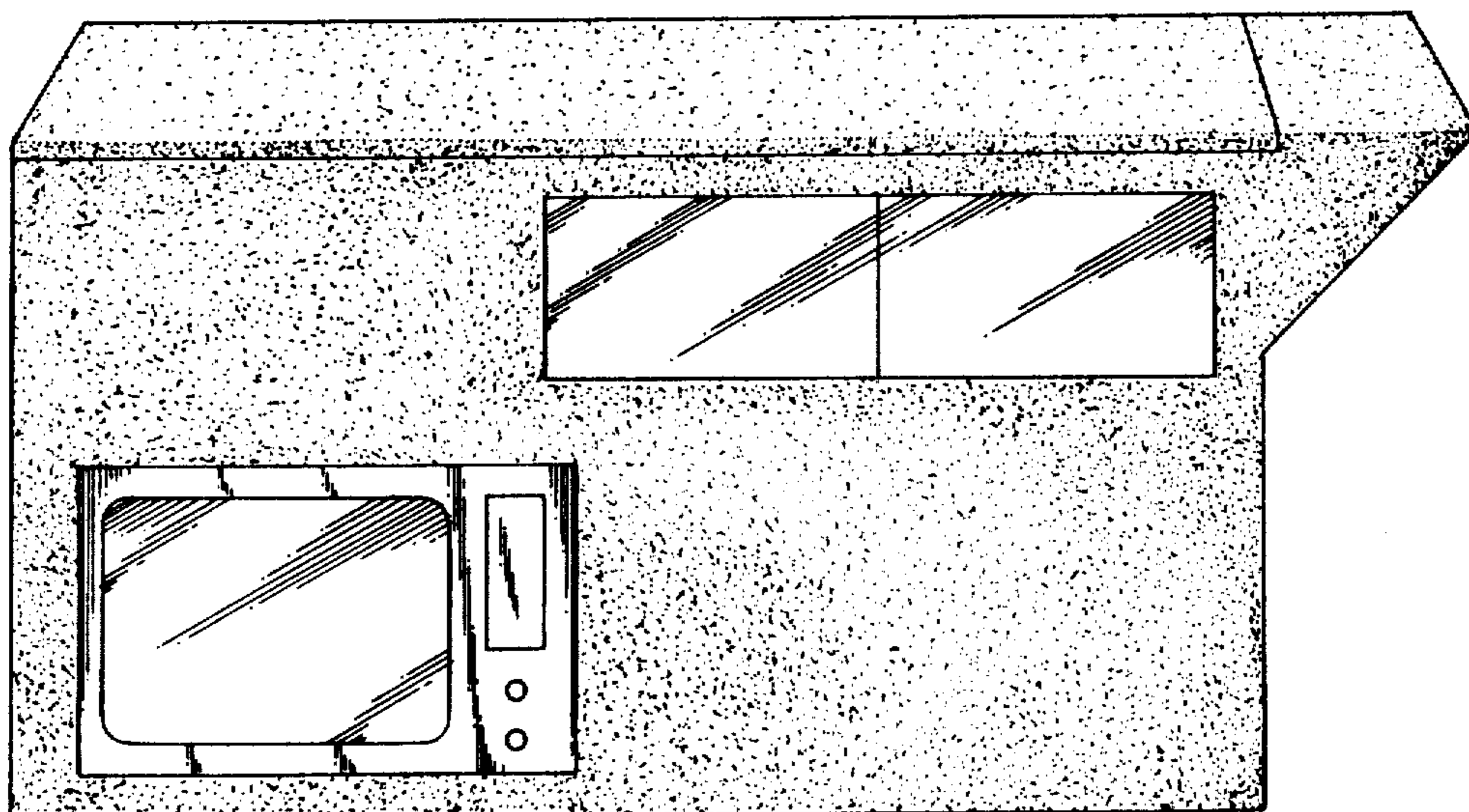
FIG. 1 is a front perspective view of a combined room divider, television cabinet, stereo cabinet, bar and aquarium support unit showing my new design; FIG. 2 is a top perspective view thereof; FIG. 3 is a rear perspective view thereof; and FIG. 4 is a right end view thereof.

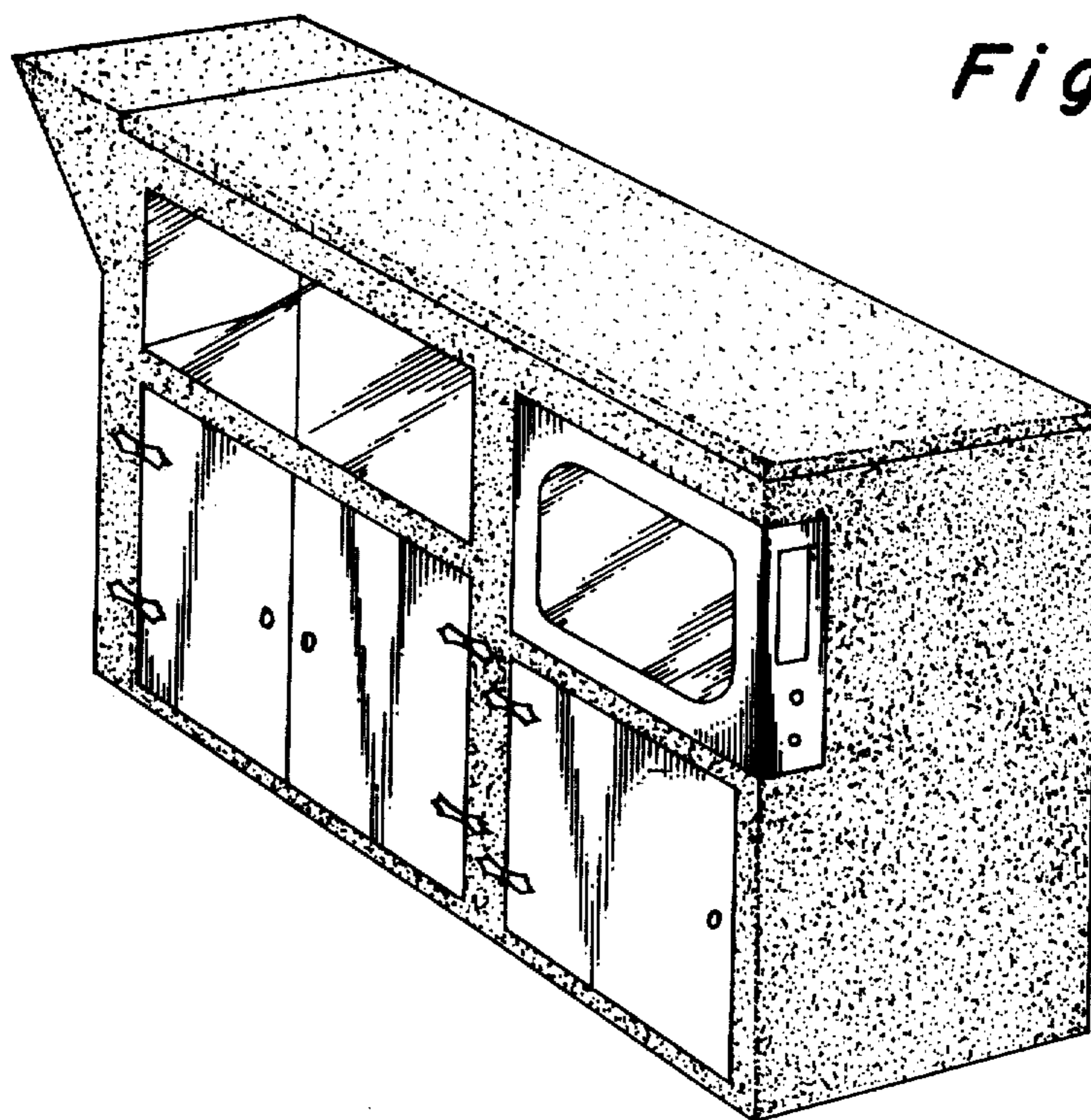


*Fig. 1*



*Fig. 2*





*Fig. 3*

*Fig. 4*

