

[54] HAIR DRYER

[75] Inventor: Ernest Lee, Park Ridge, Ill.

[73] Assignee: Sunbeam Corporation, Chicago, Ill.

[\*\*] Term: 14 Years

[21] Appl. No.: 164,191

[22] Filed: Jun. 30, 1980

[51] Int. Cl. .... D28-03

[52] U.S. Cl. .... D28/13

[58] Field of Search ..... D4/14, 19, 20, 21;  
D9/341; D28/12-19; 34/96-101; 219/222, 273;  
239/552

[56] References Cited

U.S. PATENT DOCUMENTS

D. 232,128	7/1974	Rizzuto .....	D28/13
D. 243,418	2/1977	Wolff .....	D28/13
3,837,581	9/1974	Orsoff .....	34/97

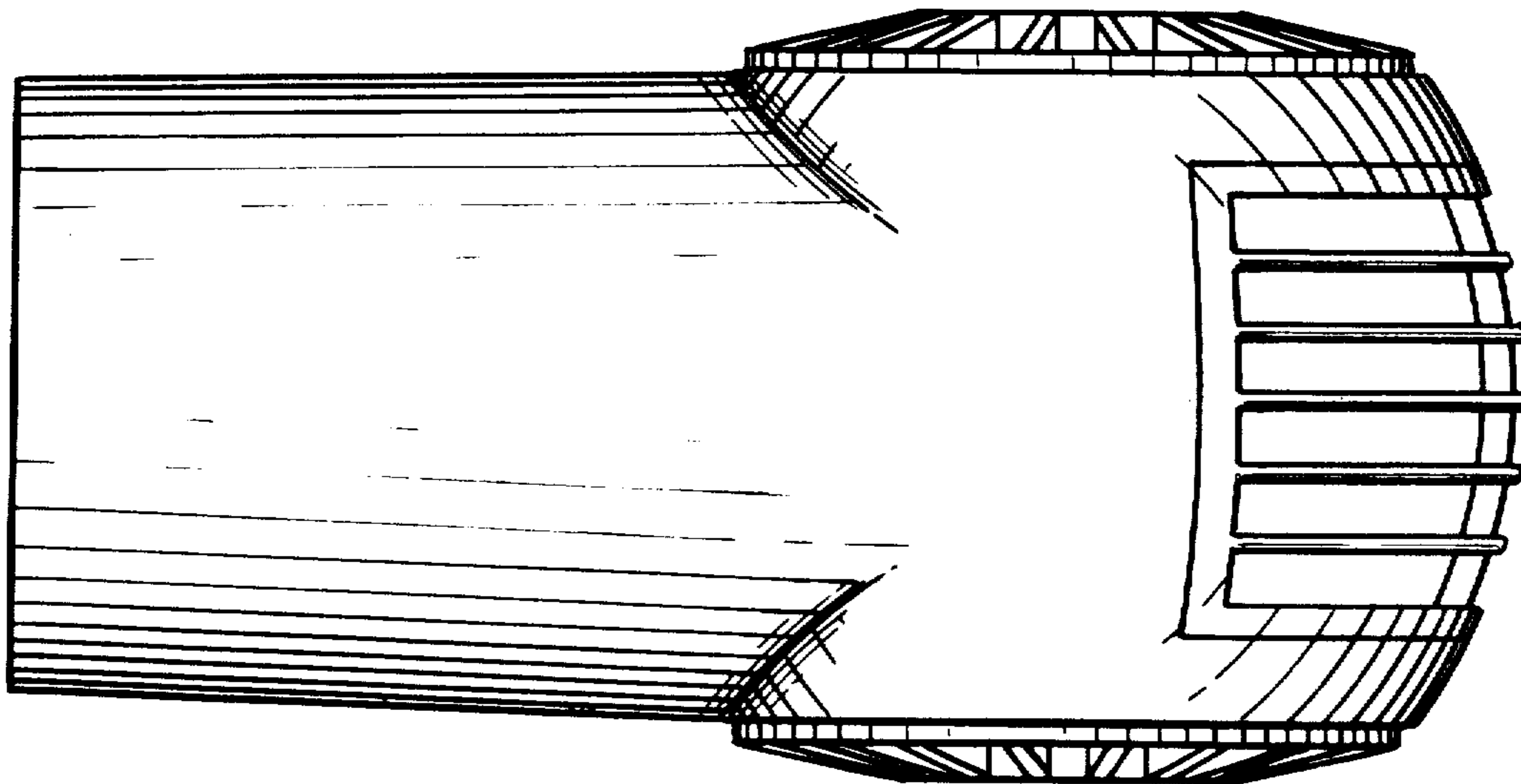
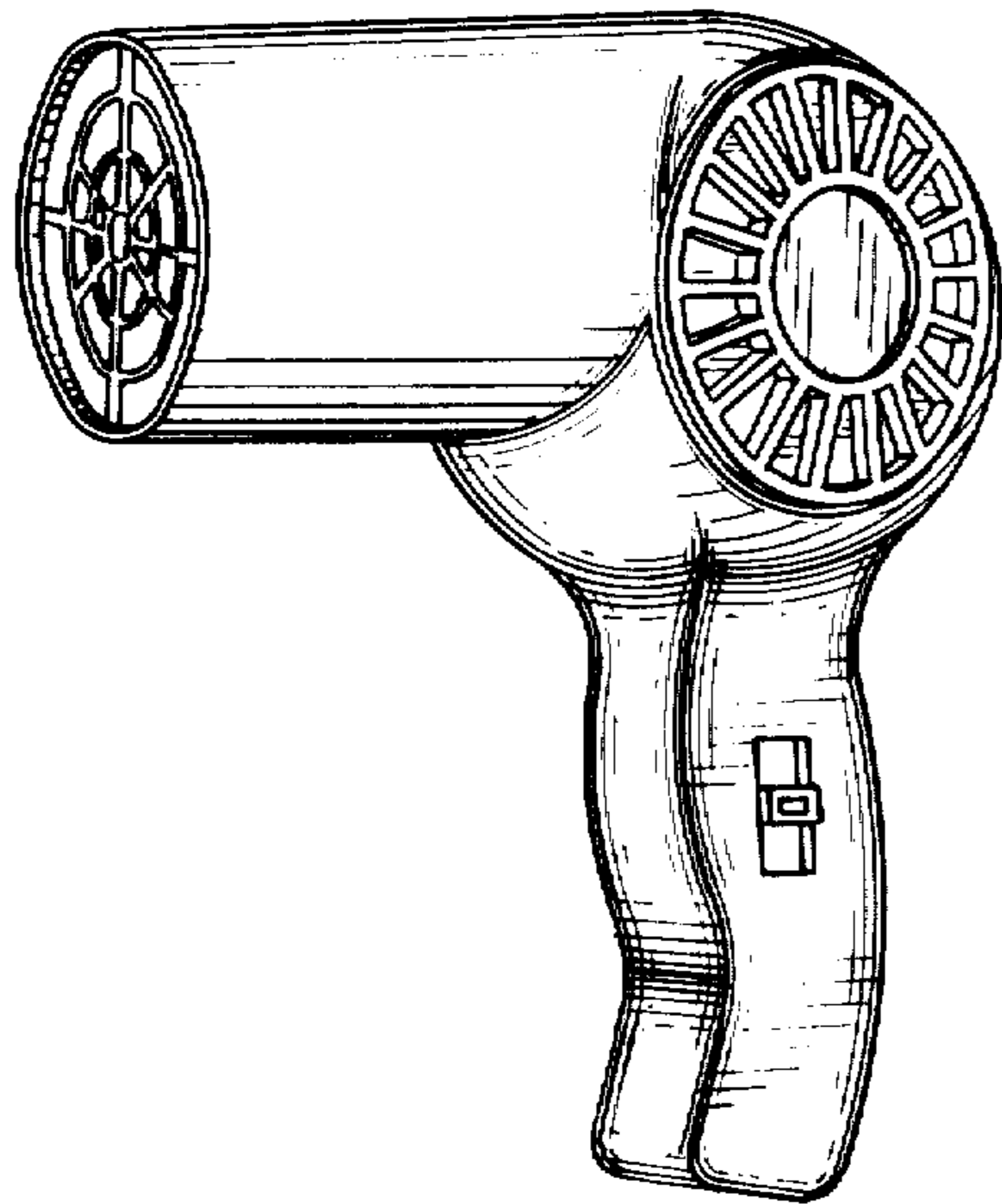
Primary Examiner—Leland A. Sebastian  
Attorney, Agent, or Firm—George R. Clark; Neil M. Rose; Clifford A. Dean

[57] CLAIM

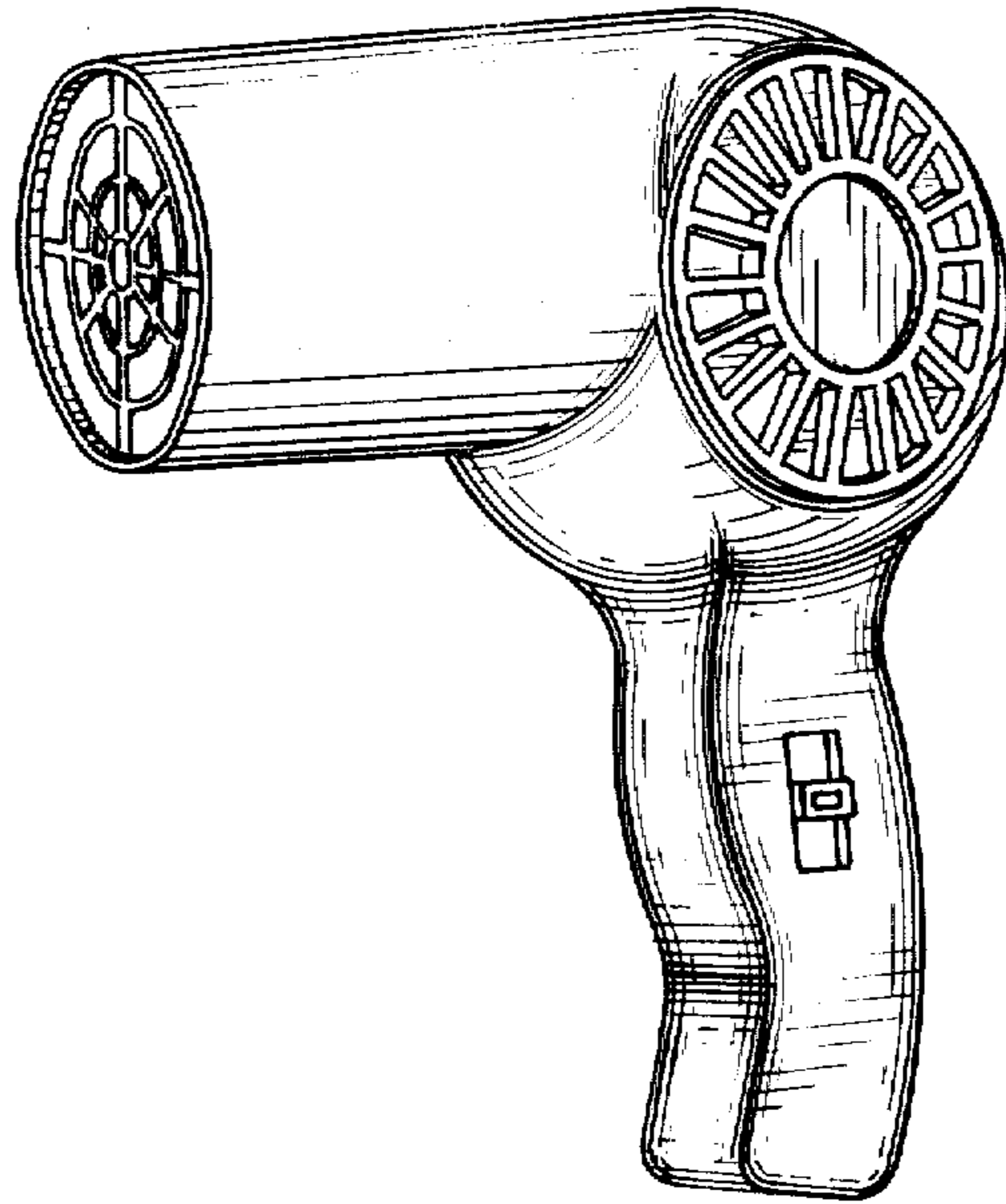
The ornamental design for a hair dryer, as shown and described.

DESCRIPTION

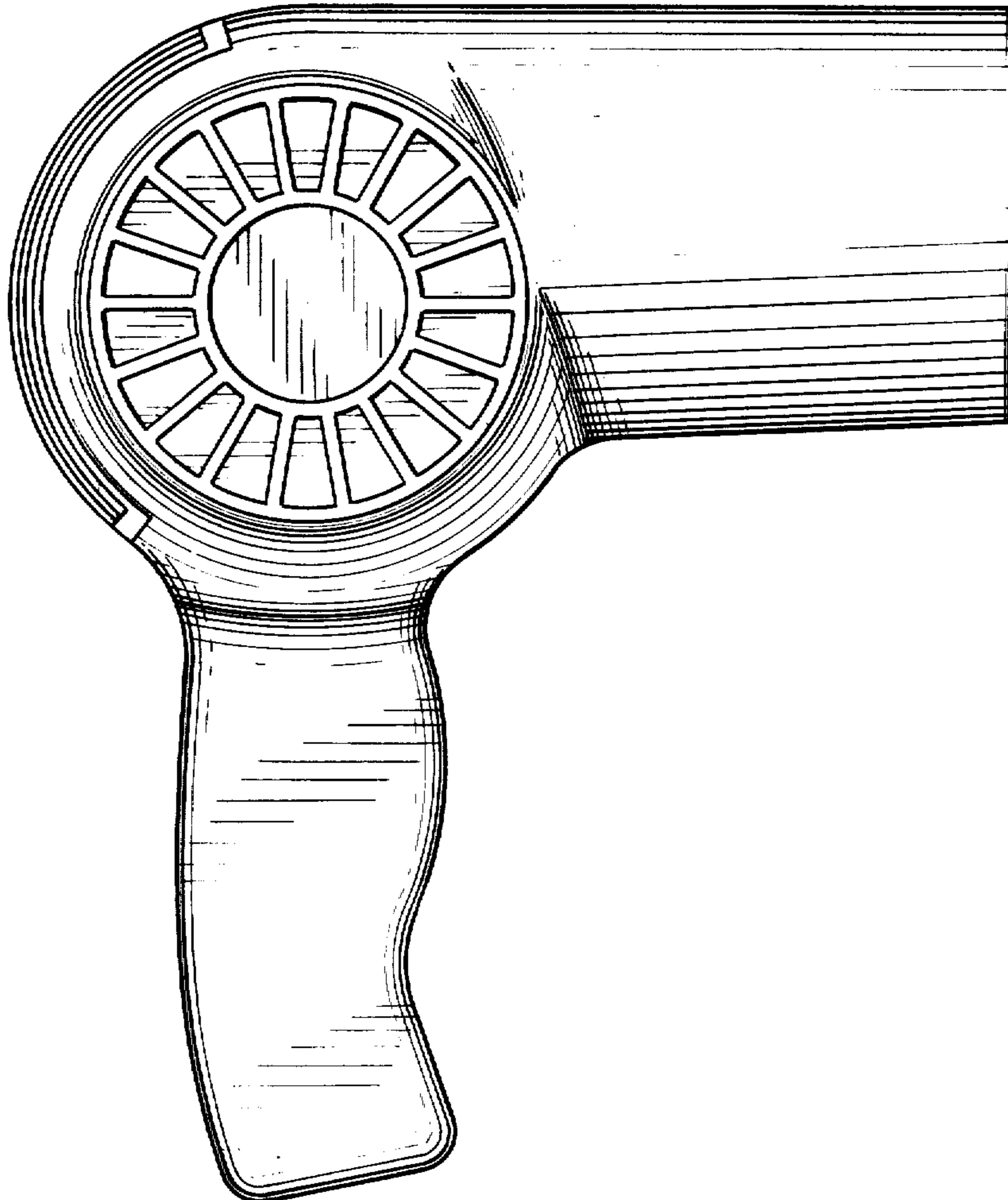
FIG. 1 is a side perspective view of a hair dryer embodying my new design;  
FIG. 2 is an enlarged scale side elevational view showing the side opposite that shown in FIG. 1;  
FIG. 3 is a top plan view thereof;  
FIG. 4 is a front end elevational view thereof; and  
FIG. 5 is a rear end elevational view thereof.



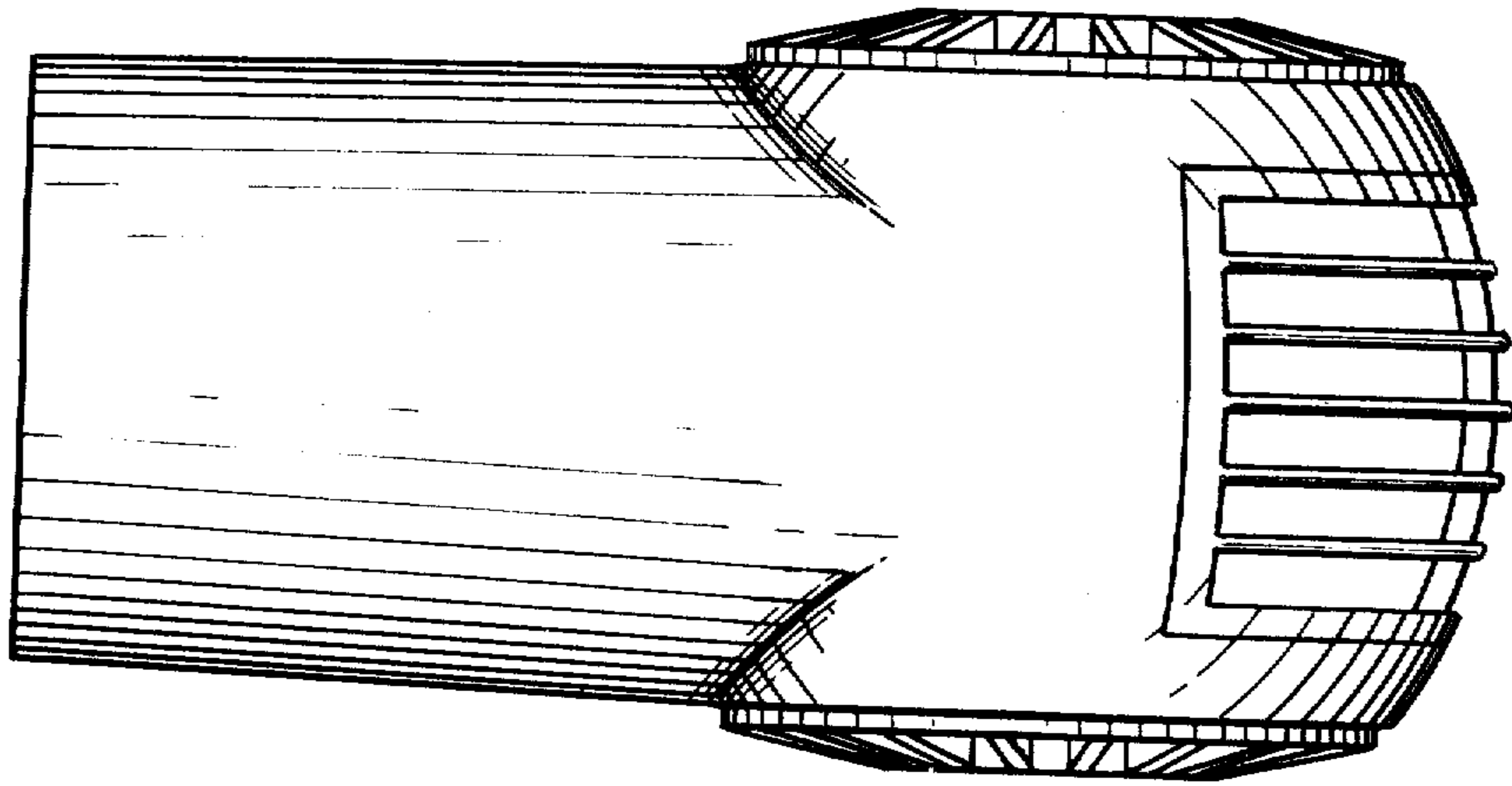
*FIG. 1.*



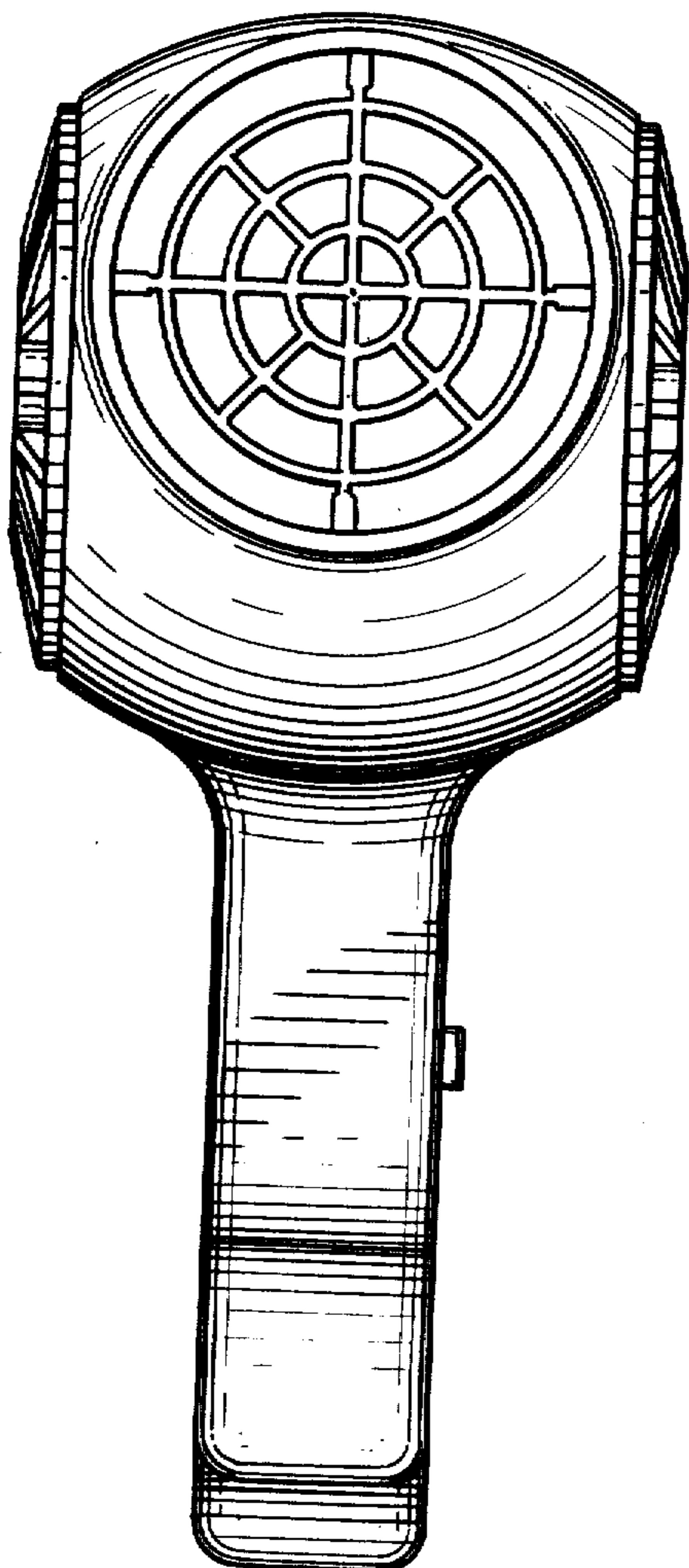
*FIG. 2.*



*Fig. 3.*



*Fig. 4.*



*Fig. 5.*

