

[54] COMBINED LAMP BASE AND BALL HOLDER

[76] Inventor: Bryan O'Reilly, 129 Franklin St., Westfield, Mass. 01085

[\*\*] Term: 14 Years

[21] Appl. No.: 44,052

[22] Filed: May 31, 1979

[51] Int. Cl. .... D26-05; D6-04

[52] U.S. Cl. .... D26/51; D26/93; D26/29; D6/85

[58] Field of Search ..... D26/93, 102, 103, 104, D26/105, 106, 107, 108, 109, 110, 111, 112, 38, 24, 113, 51; 362/127, 132, 134, 410, 411, 412, 413, 414, 415, 351; D6/29, 85, 194; 211/14; 248/127, 176, 346

[56] References Cited

U.S. PATENT DOCUMENTS

D. 92,802 7/1934 Godfrey ..... D26/107  
D. 177,178 3/1956 Heyburn ..... D26/51

FOREIGN PATENT DOCUMENTS

616085 1/1961 Italy ..... 362/351  
382038 11/1964 Switzerland ..... 362/414

OTHER PUBLICATIONS

Galleria Mobili Ad., Table Lamp.  
Furniture Age, 7-1954, p. 25-Book Rack Lamp.  
Miles Kimball Co. Gift Cat., Fall 1964, p. 97, Ball Rack.

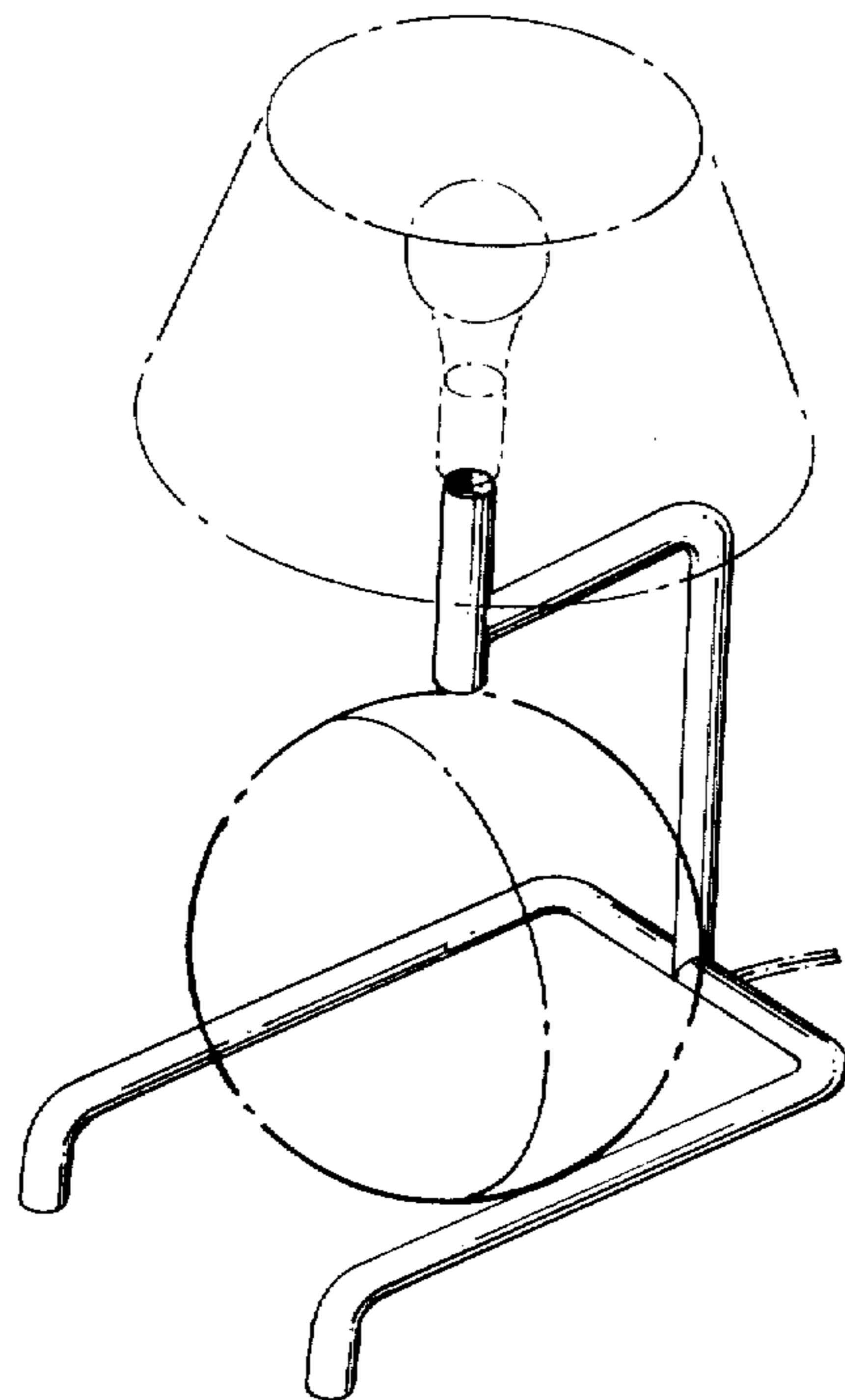
Primary Examiner—Susan J. Lucas  
Attorney, Agent, or Firm—Chapin, Neal & Dempsey

[57] CLAIM

The ornamental design for a combined lamp base and ball holder, as shown and described.

DESCRIPTION

FIG. 1 is a right front perspective view of the design for a combined lamp base and ball holder;  
FIG. 2 is a top plan view of the lamp base;  
FIG. 3 is a bottom view of the lamp base;  
FIG. 4 is a rear elevated view of the lamp base.  
The lamp, shade, ball and electric cord are shown in broken lines for illustrative purposes only.



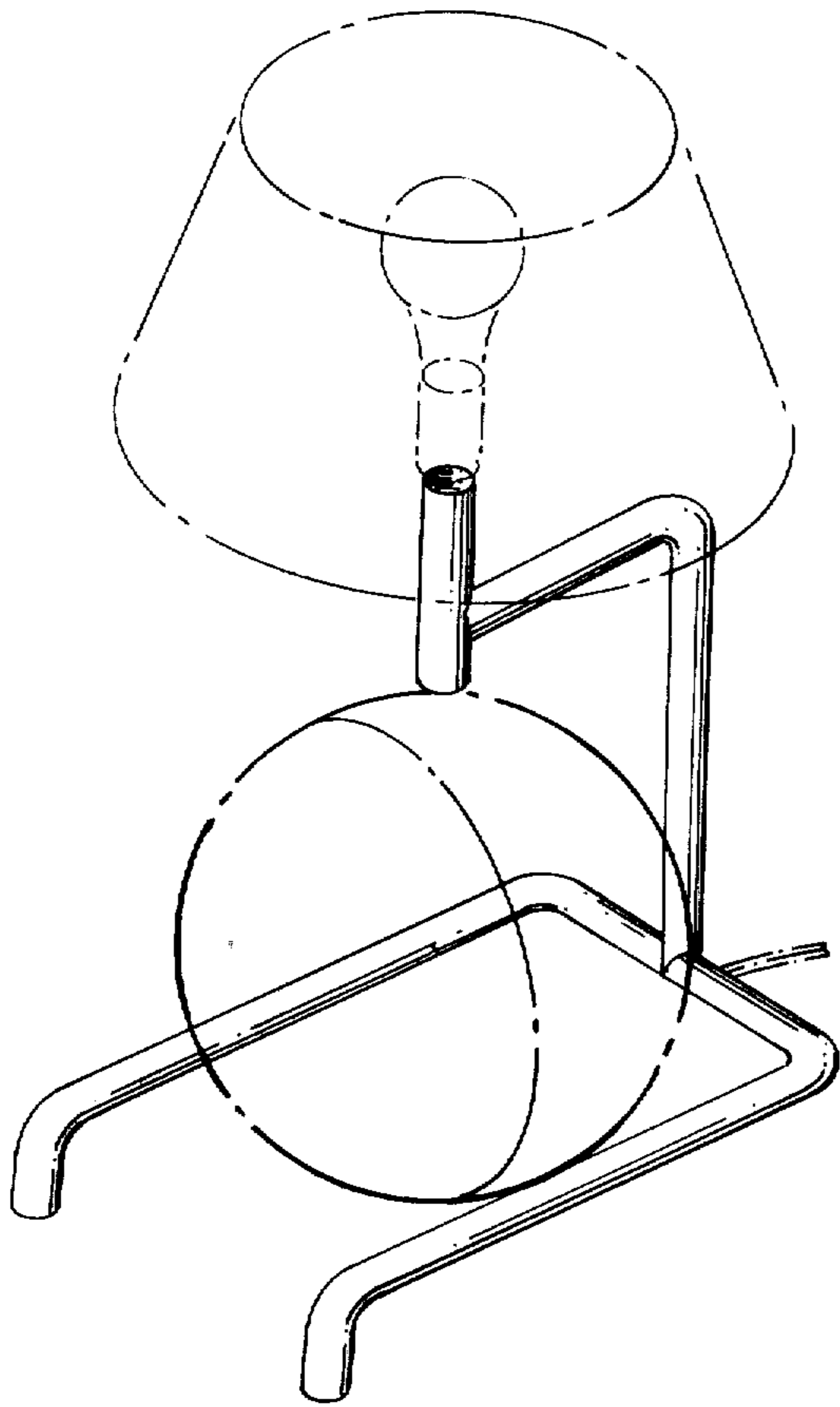


Fig. 1.

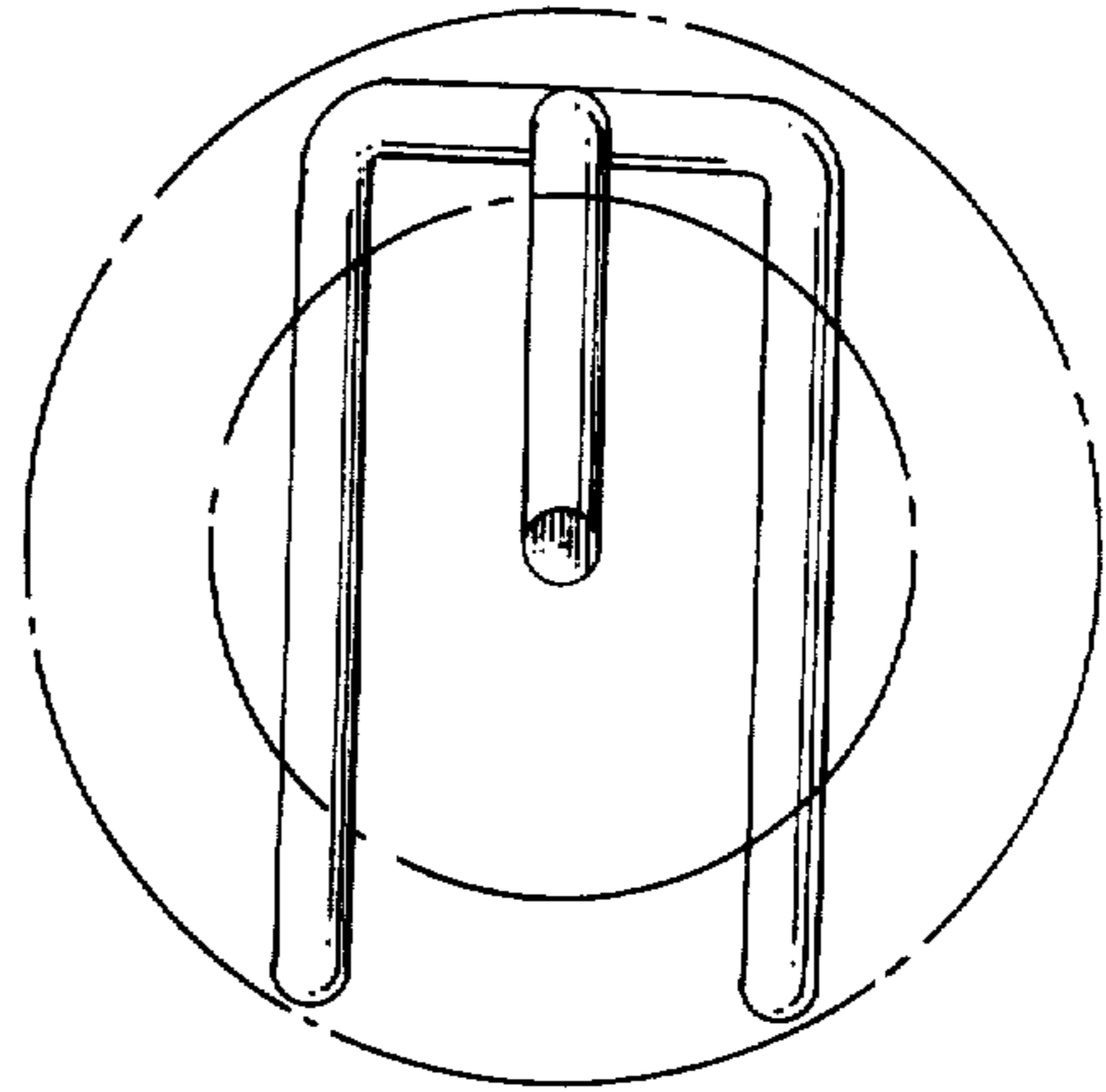


Fig. 2.

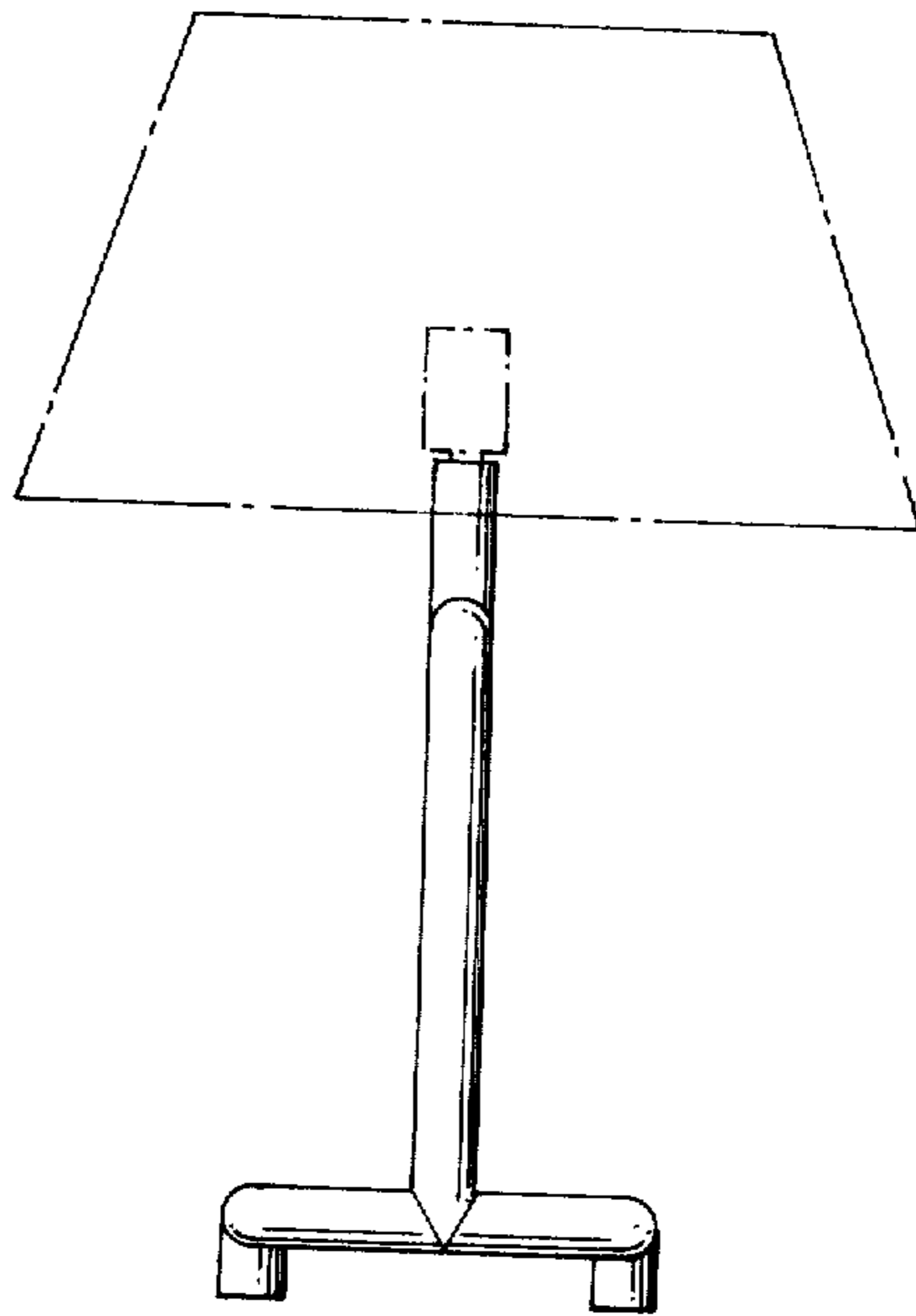


Fig. 4.

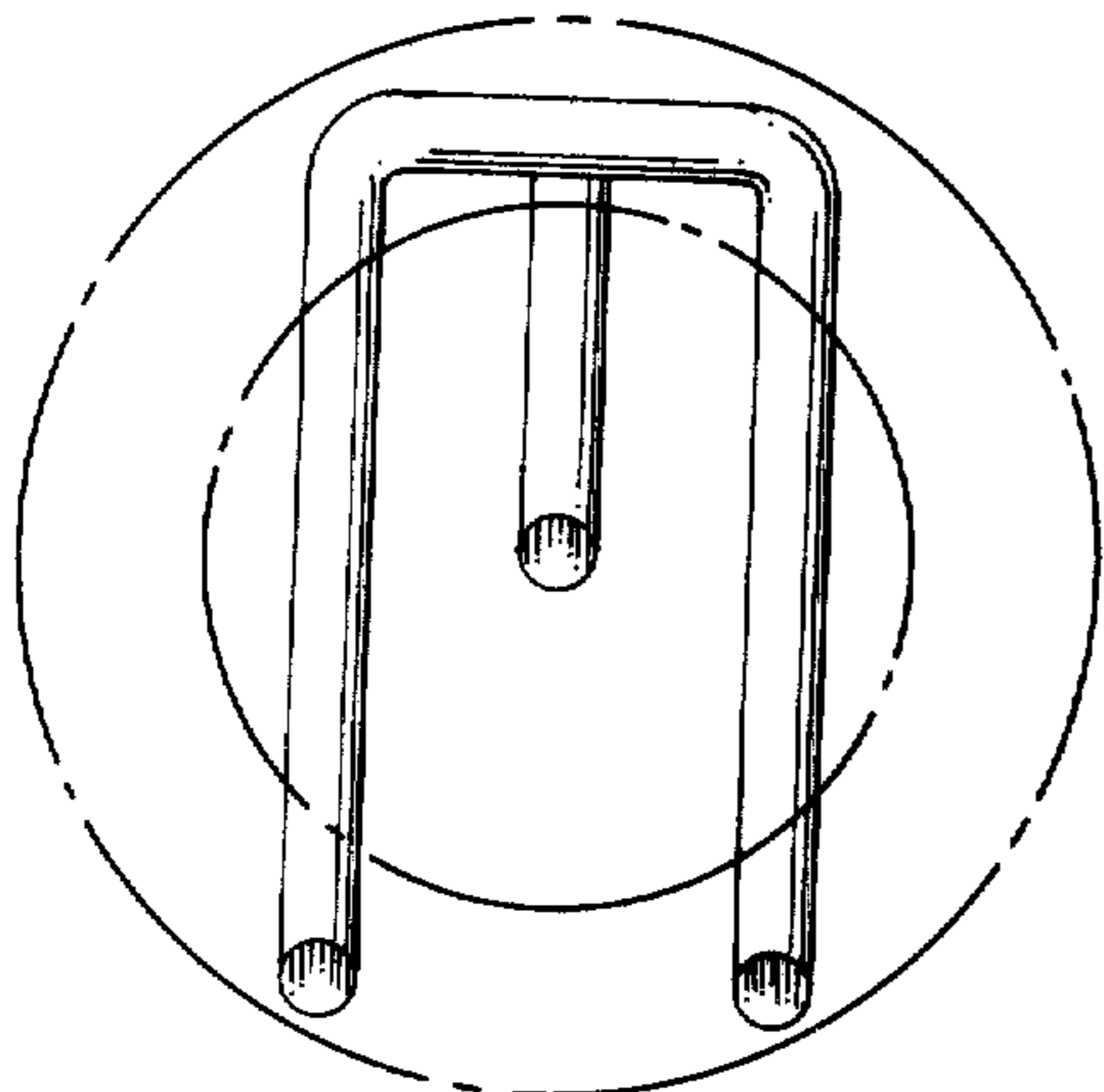


Fig. 3.