

# United States Patent [19]

Legerius

[11] **Des. 261,554**

[45] **\*\* Oct. 27, 1981**

[54] **CABLE CHANNEL SHELF**

[76] Inventor: **Bengt E. Legerius**, Hagvägen 6,  
S-611 00 Nyköping, Sweden

[\*\*] Term: **14 Years**

[21] Appl. No.: **122,303**

[22] Filed: **Feb. 19, 1980**

[30] **Foreign Application Priority Data**

Sep. 7, 1979 [SE] Sweden ..... 79-1983

[51] Int. Cl. .... **D25-01**

[52] U.S. Cl. .... **D25/74**

[58] **Field of Search** ..... D25/48, 52, 73, 74,  
D25/75, 76, 77; 52/731, 735, 202; 49/63, 70,  
504; 174/68; D13/13

[56] **References Cited**

### U.S. PATENT DOCUMENTS

D. 243,682 3/1977 Dallaire ..... D25/74  
3,009,549 11/1961 Miller ..... D15/75 X

*Primary Examiner*—A. Hugo Word

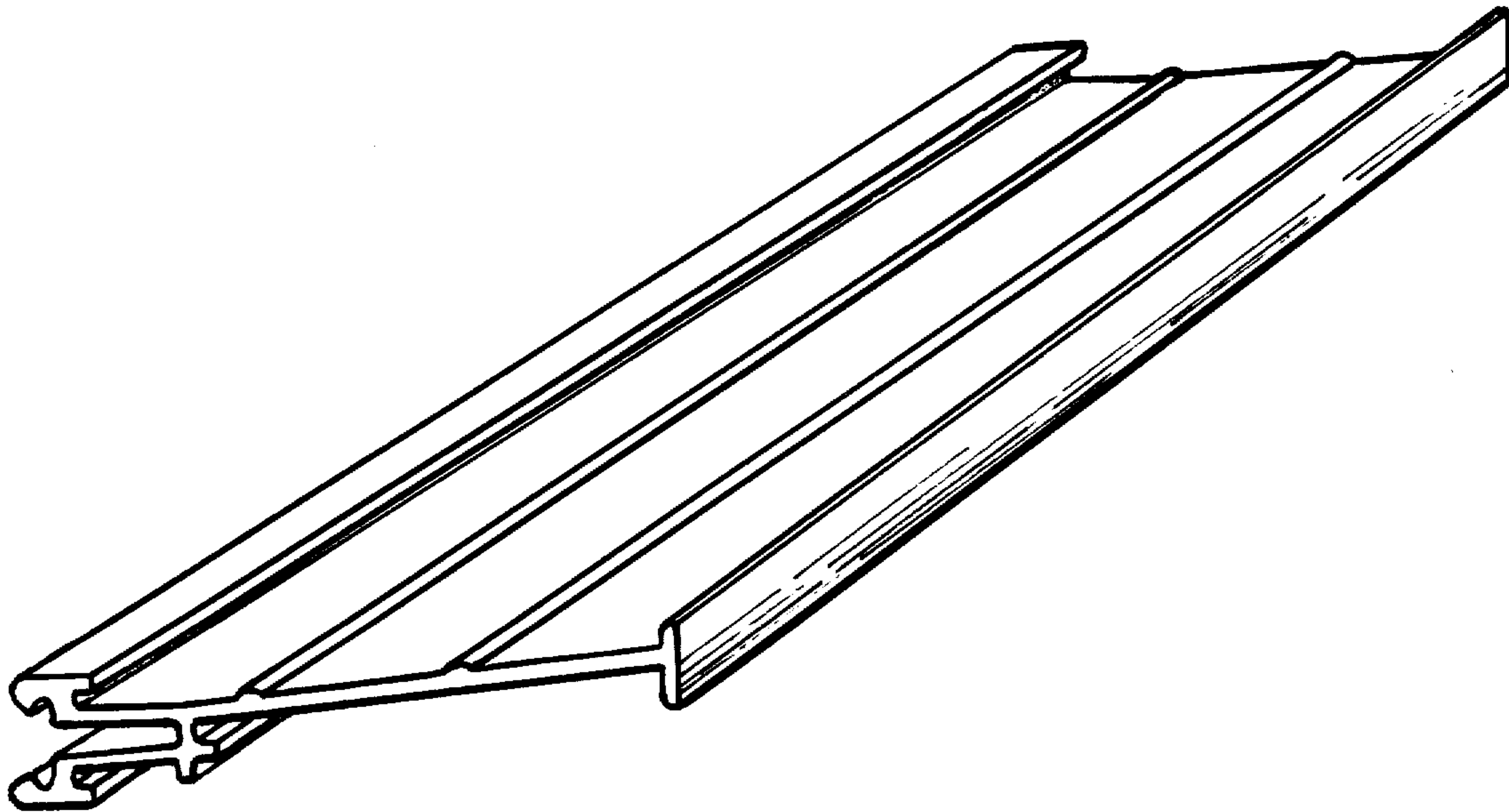
[57] **CLAIM**

The ornamental design for a cable channel shelf, as shown.

### DESCRIPTION

FIG. 1 is a top view of a cable channel shelf showing my design:

FIG. 2 is a bottom view of the cable channel shelf.



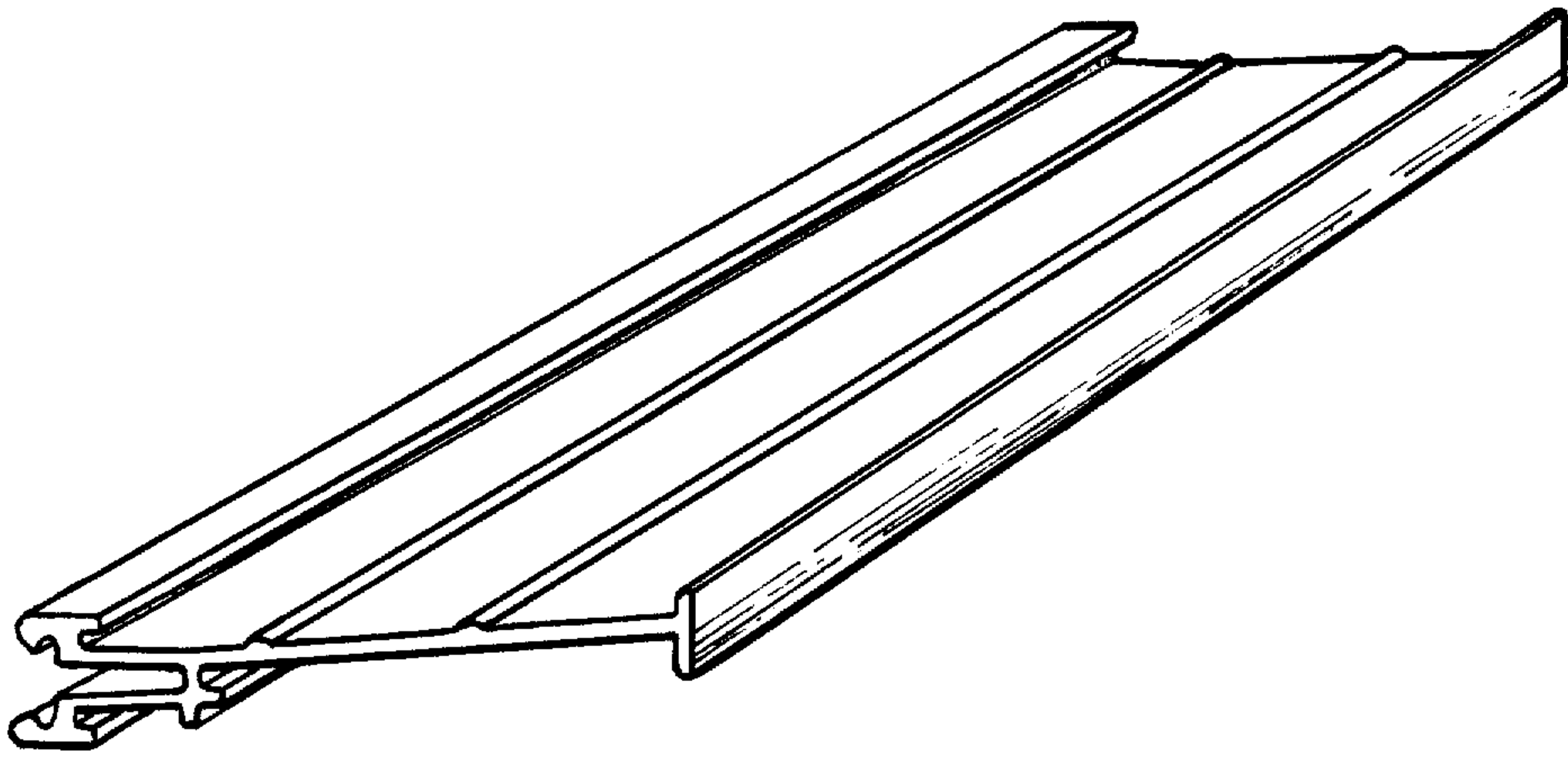


FIG. 1

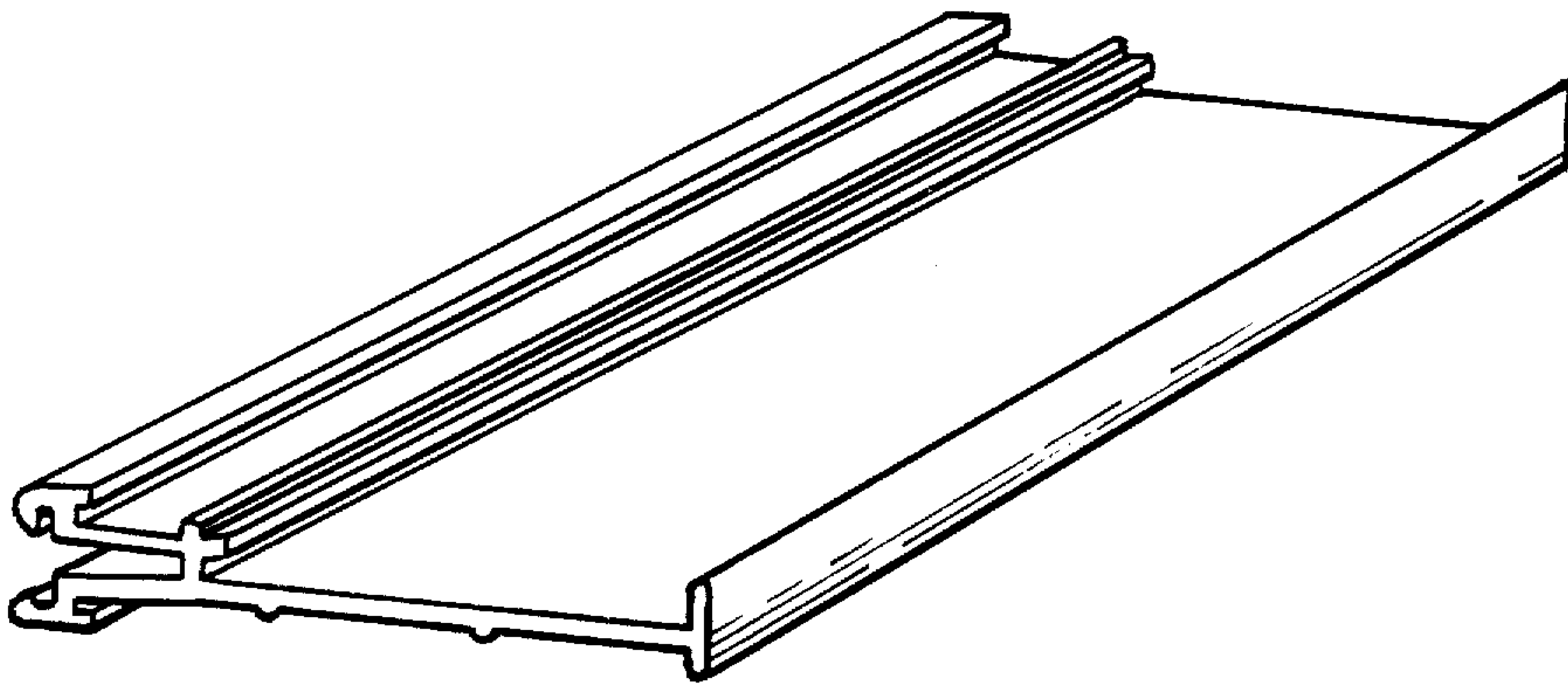


FIG. 2

UNITED STATES PATENT AND TRADEMARK OFFICE  
CERTIFICATE OF CORRECTION

PATENT NO. : D 261,554  
DATED : October 27, 1981  
INVENTOR(S) : Bengt E. Legerius

It is certified that error appears in the above—identified patent and that said Letters Patent is hereby corrected as shown below:

On the Title page Item [73] Assignee should read:

-- Assignee: Telefonaktiebolaget L M Ericsson  
25 Stockholm, Sweden --

**Signed and Sealed this**

*Twenty-third Day of March 1982*

[SEAL]

*Attest:*

GERALD J. MOSSINGHOFF

*Attesting Officer*

*Commissioner of Patents and Trademarks*