

[54] **ADJUSTABLE PLUG FOR SHOTGUN SHELL CHAMBER**

[76] **Inventor:** Larry A. Holmberg, 5765 Main St.,
Fridley, Minn. 55432

[**] **Term:** 14 Years

[21] **Appl. No.:** 126,533

[22] **Filed:** Mar. 3, 1980

[51] **Int. Cl.** D22-01

[52] **U.S. Cl.** D22/7

[58] **Field of Search** 42/77, 76 R, 78, 79,
42/1 R, 51; D22/6, 7

[56] **References Cited**

U.S. PATENT DOCUMENTS

3,656,250 4/1972 Brown 42/76 R
4,222,191 9/1980 Lee et al. 42/77
4,228,605 10/1980 Chacornac 42/76 R X

Primary Examiner—A. Hugo Word
Attorney, Agent, or Firm—Schroeder, Siegfried, Ryan,
Vidas, Steffey & Arrett

[57] **CLAIM**

The ornamental design for an adjustable plug for shotgun shell chamber, as shown and described.

DESCRIPTION

FIG. 1 is a perspective view of an adjustable plug for shotgun shell chamber showing my new design, the shotgun being shown in broken lines for illustrative purposes only;

FIG. 2 is an enlarged perspective view thereof; and, FIG. 3 is a rear perspective view.

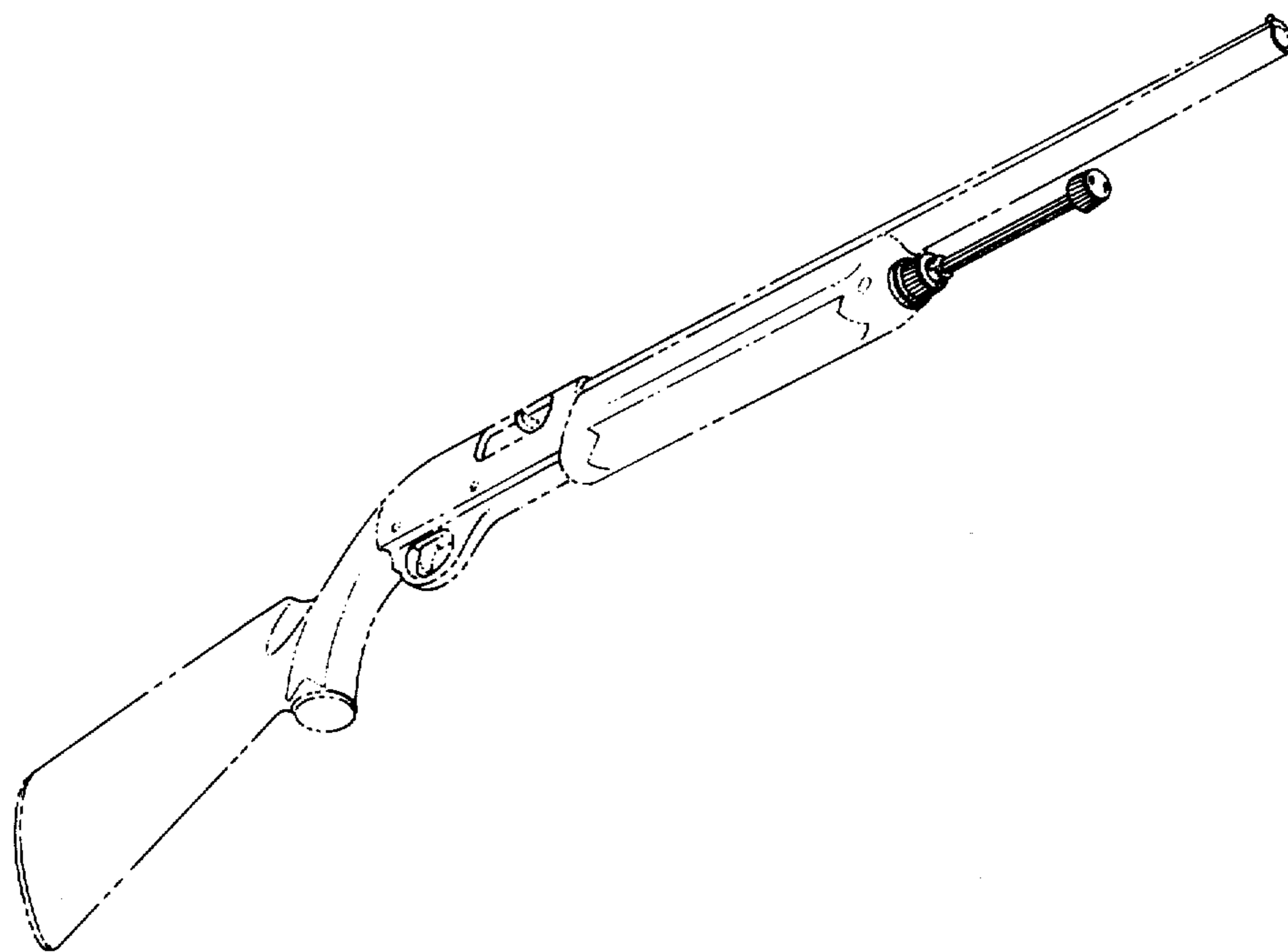


Fig. 1

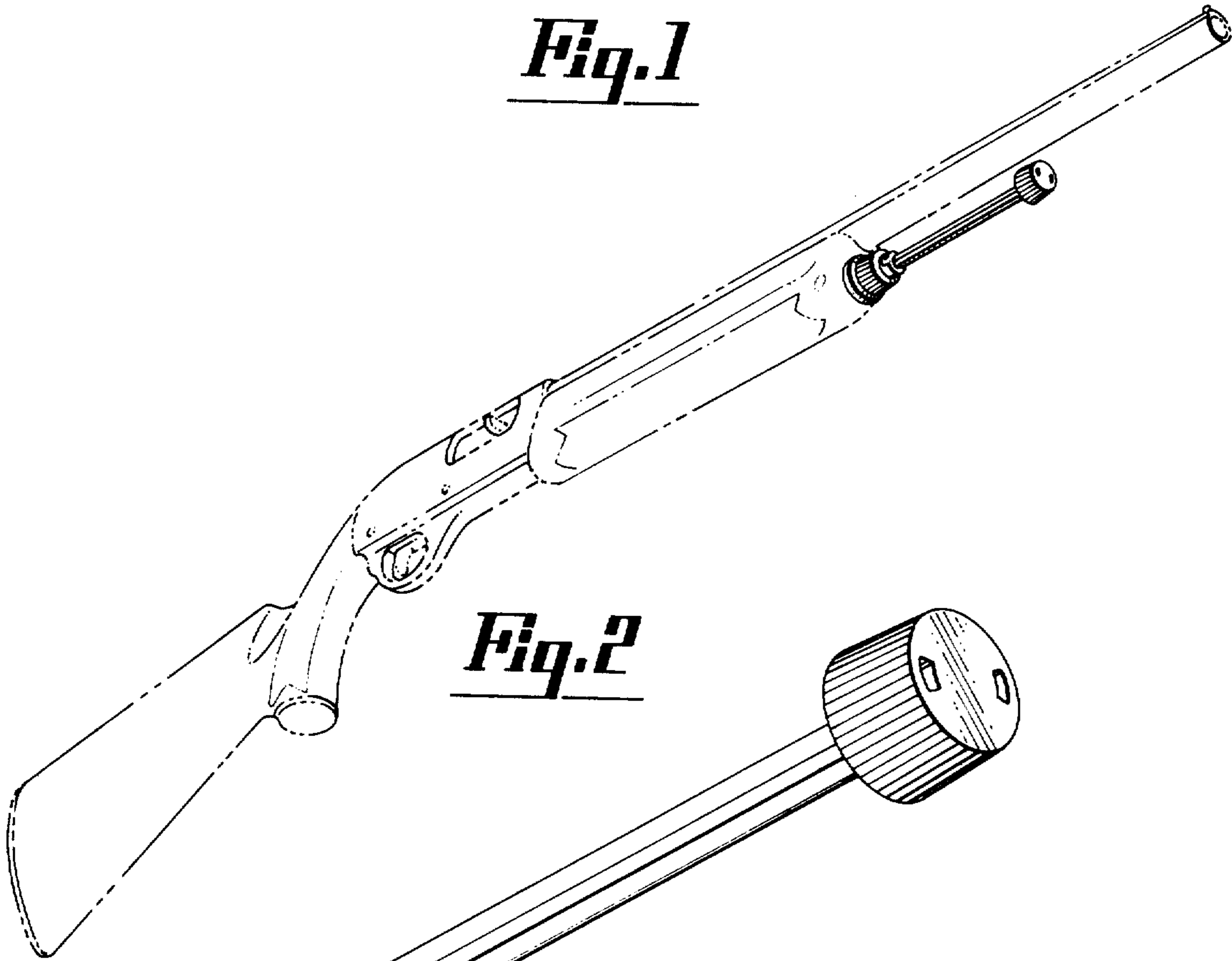


Fig. 2

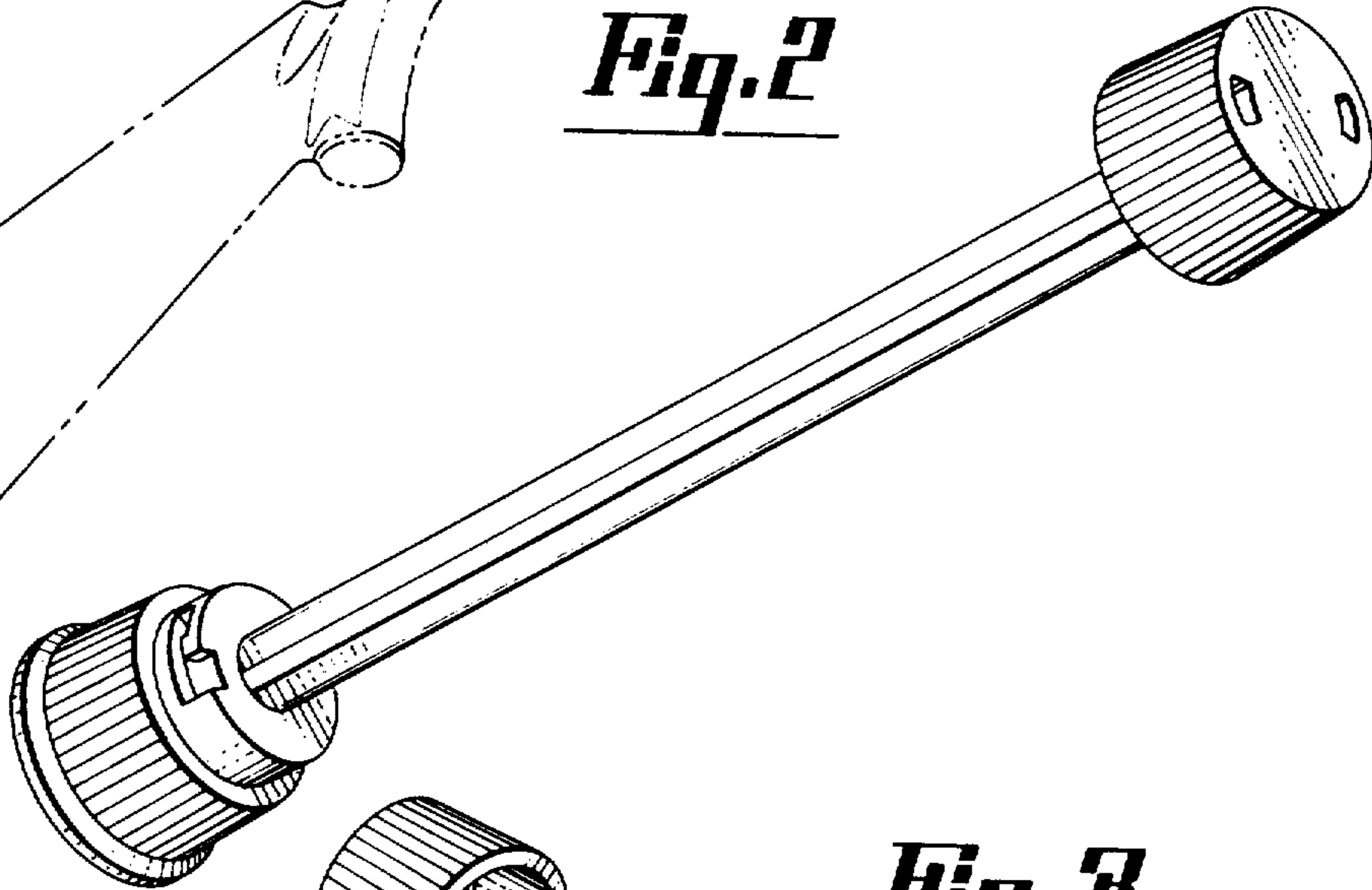


Fig. 3

