

[54] COMBINED TOY BUCKET AND TOOLS THEREFOR

3,359,677 12/1967 Hepler ..... D21/120

[75] Inventors: Mel Appel, Nine Nottingham Rd., Livingston, N.J. 07039; Paul B. Means, III, Basking Ridge, N.J.

[73] Assignee: Mel Appel, Livingston, N.J.

[\*\*] Term: 14 Years

[21] Appl. No.: 87,243

[22] Filed: Oct. 22, 1979

[51] Int. Cl. .... D21-01

[52] U.S. Cl. .... D21/120

[58] Field of Search ..... D21/120, 119; 46/11, 46/40, 1 R

[56] References Cited

U.S. PATENT DOCUMENTS

D. 209,067 10/1967 Tarrson ..... D21/109  
1,600,616 9/1926 Barnard ..... 46/1 R

OTHER PUBLICATIONS

Sears Xmas Catalog, 1979, p. 578, Item #7.  
Toys, Hobbies & Crafts, 6-78, p. 44, "Footsie People".

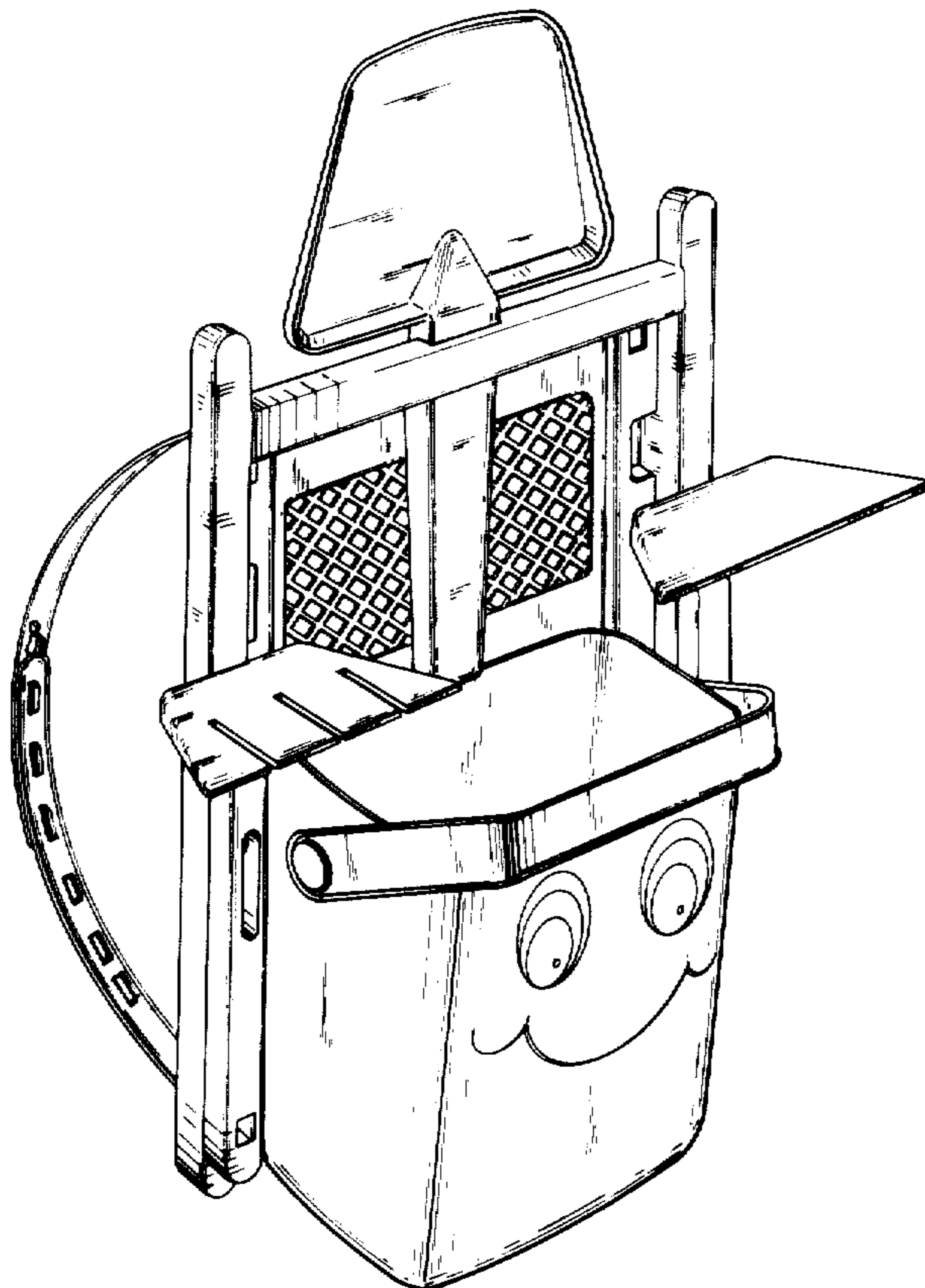
Primary Examiner—Charles A. Rademaker  
Attorney, Agent, or Firm—Lerner, David, Littenberg & Samuel

[57] CLAIM

The ornamental design for a combined toy bucket and tools therefor, substantially as shown and described.

DESCRIPTION

FIG. 1 is a perspective view of a combined toy bucket and tools therefor showing our new design; FIG. 2 is a front elevational view thereof; FIG. 3 is a rear elevational view thereof; FIG. 4 is a top plan view thereof; FIG. 5 is a bottom plan view thereof; and FIG. 6 is a right side elevational view, the left side elevational view is a mirror image thereof.



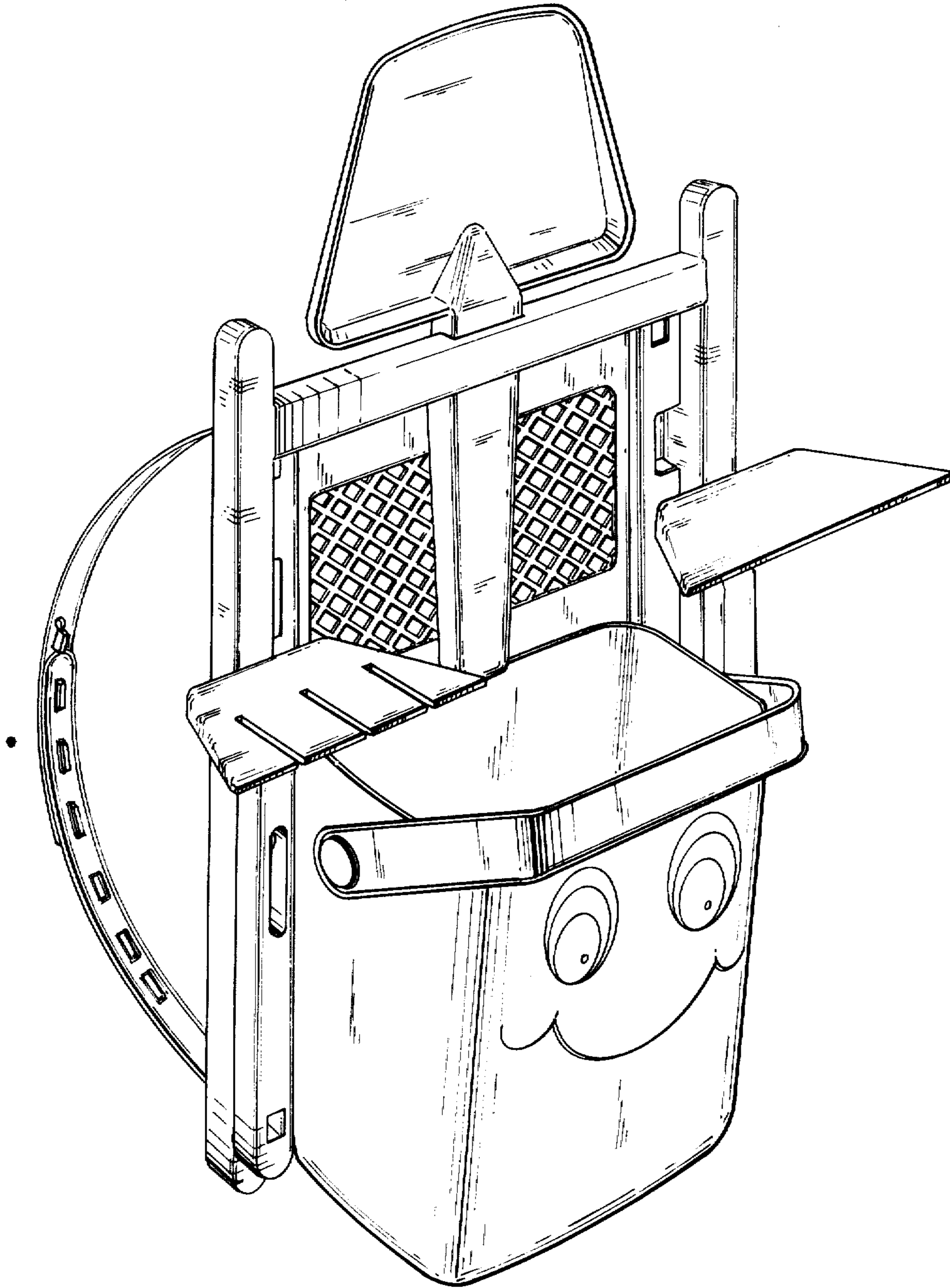


FIG. 1

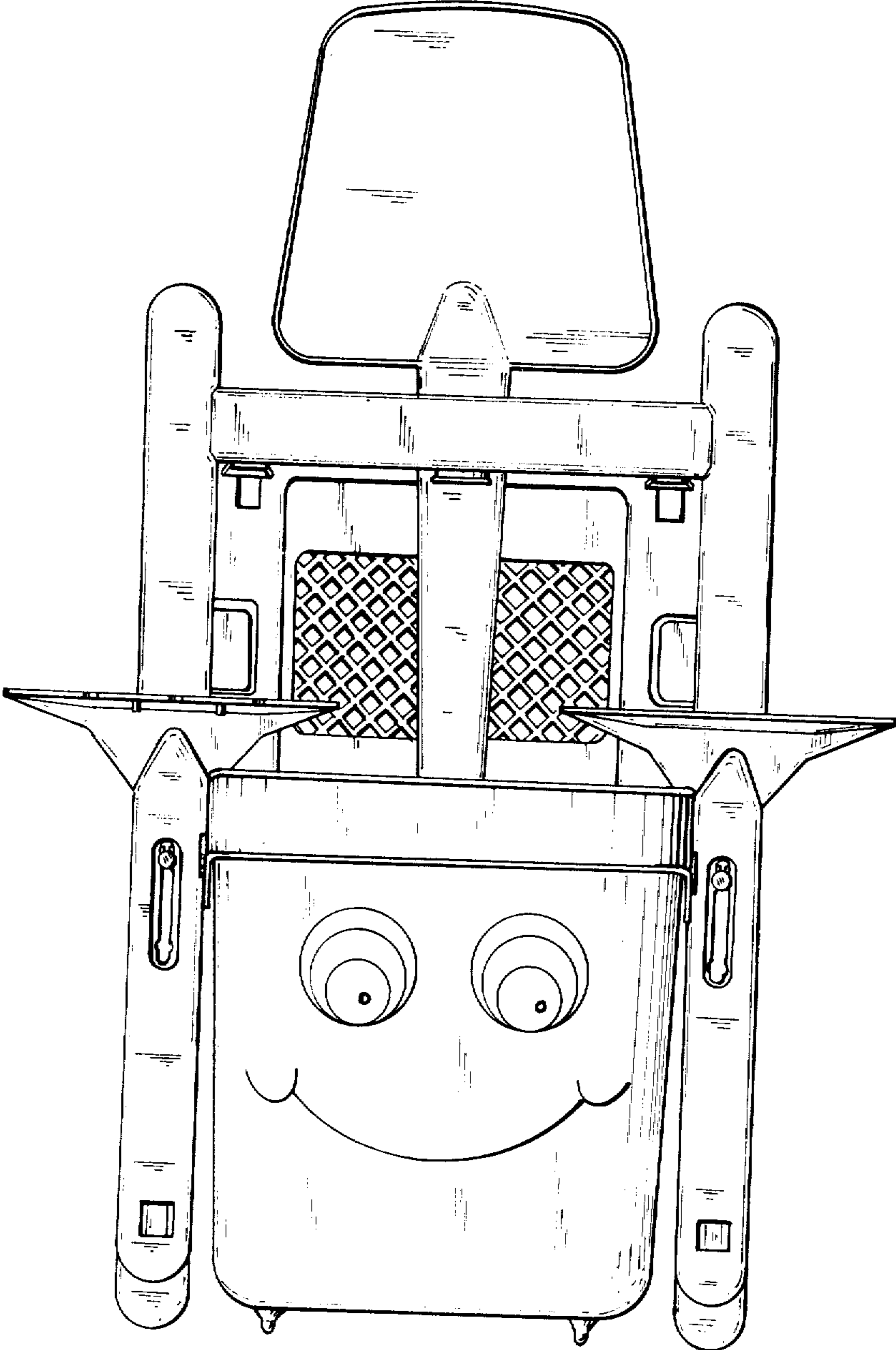


FIG. 2

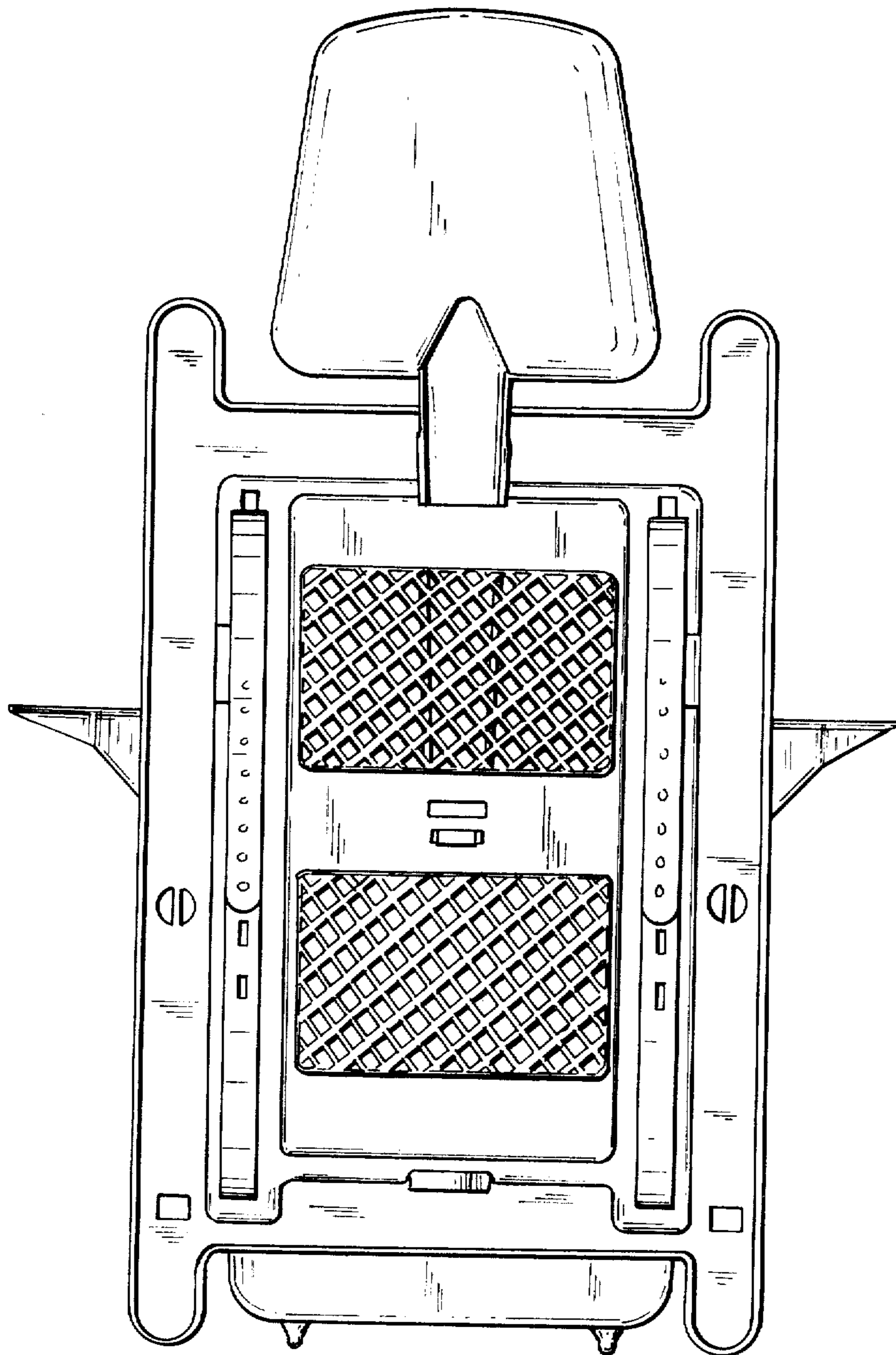


FIG. 3

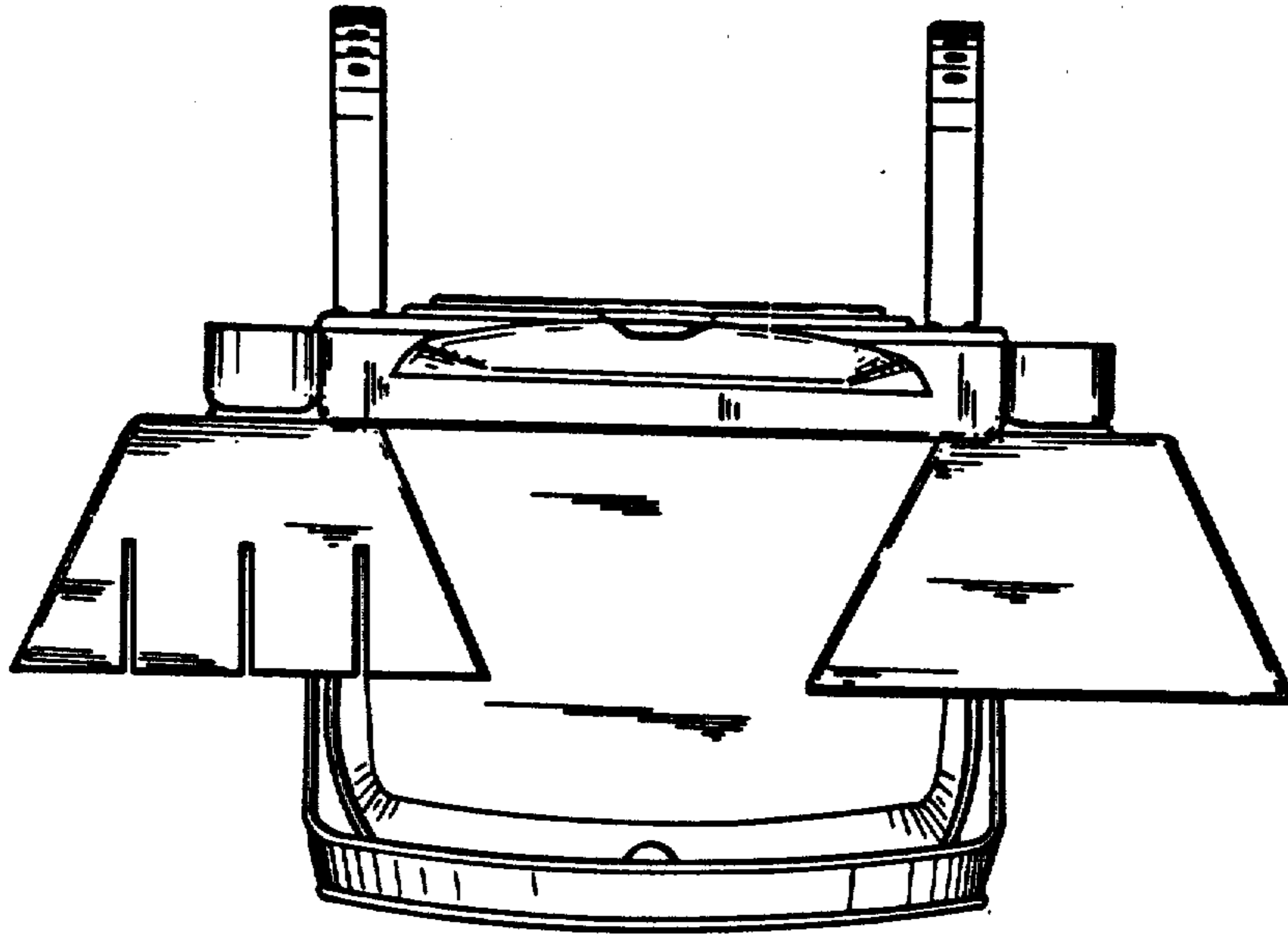


FIG. 4

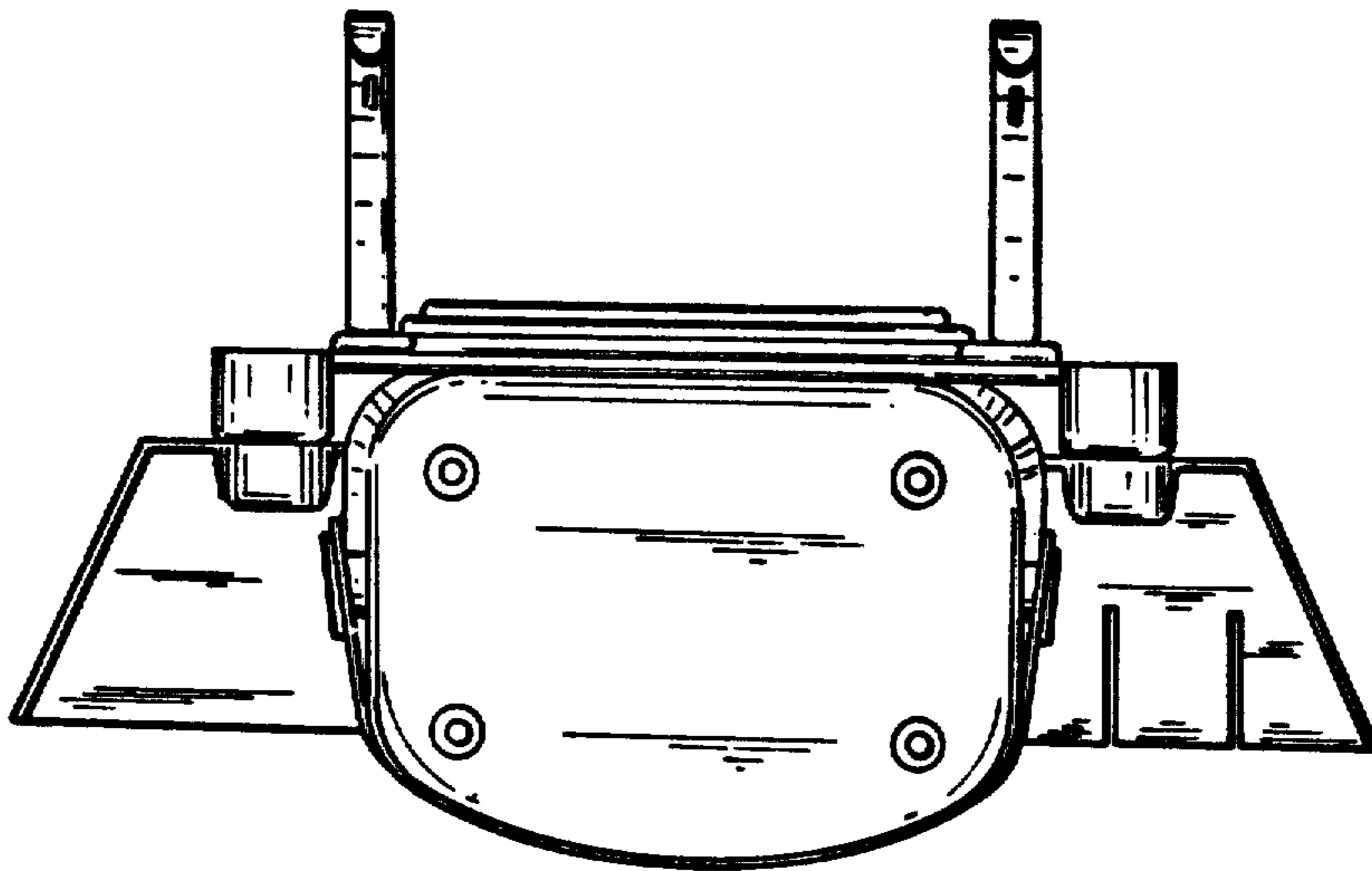


FIG. 5

FIG. 6

