

[54] **AERIAL TOY**
[76] Inventor: **James E. Sides**, Rte. 3, Western
Acres, El Campo, Tex. 77437
[**] Term: **14 Years**
[21] Appl. No.: **54,137**
[22] Filed: **Jul. 2, 1979**
[51] Int. Cl. **D21-01**
[52] U.S. Cl. **D21/86**
[58] Field of Search **D21/82, 86, 88, 89,**
D21/90; D12/72, 69, 5; 46/74 A, 74 R, 74 D;
244/153 R, 153 A

D. 211,104 5/1968 Steadman D12/72
D. 253,525 11/1979 Wilson D21/86
3,488,882 1/1970 Scott 46/74 R

OTHER PUBLICATIONS

Playthings, 7-79, p. 36, Flying Saucer.

Primary Examiner—Charles A. Rademaker
Attorney, Agent, or Firm—Browning, Bushman &
Zamecki

[57] **CLAIM**

The ornamental design for an aerial toy, as shown.

DESCRIPTION

FIG. 1 is a perspective view of an aerial toy showing
my new design;
FIG. 2 is a top plan view thereof;
FIG. 3 is a side elevational view thereof;
FIG. 4 is a bottom plan view thereof.

[56] **References Cited**

U.S. PATENT DOCUMENTS

D. 172,112 5/1954 Shoemaker D21/86
D. 209,763 1/1968 Mueller D21/86

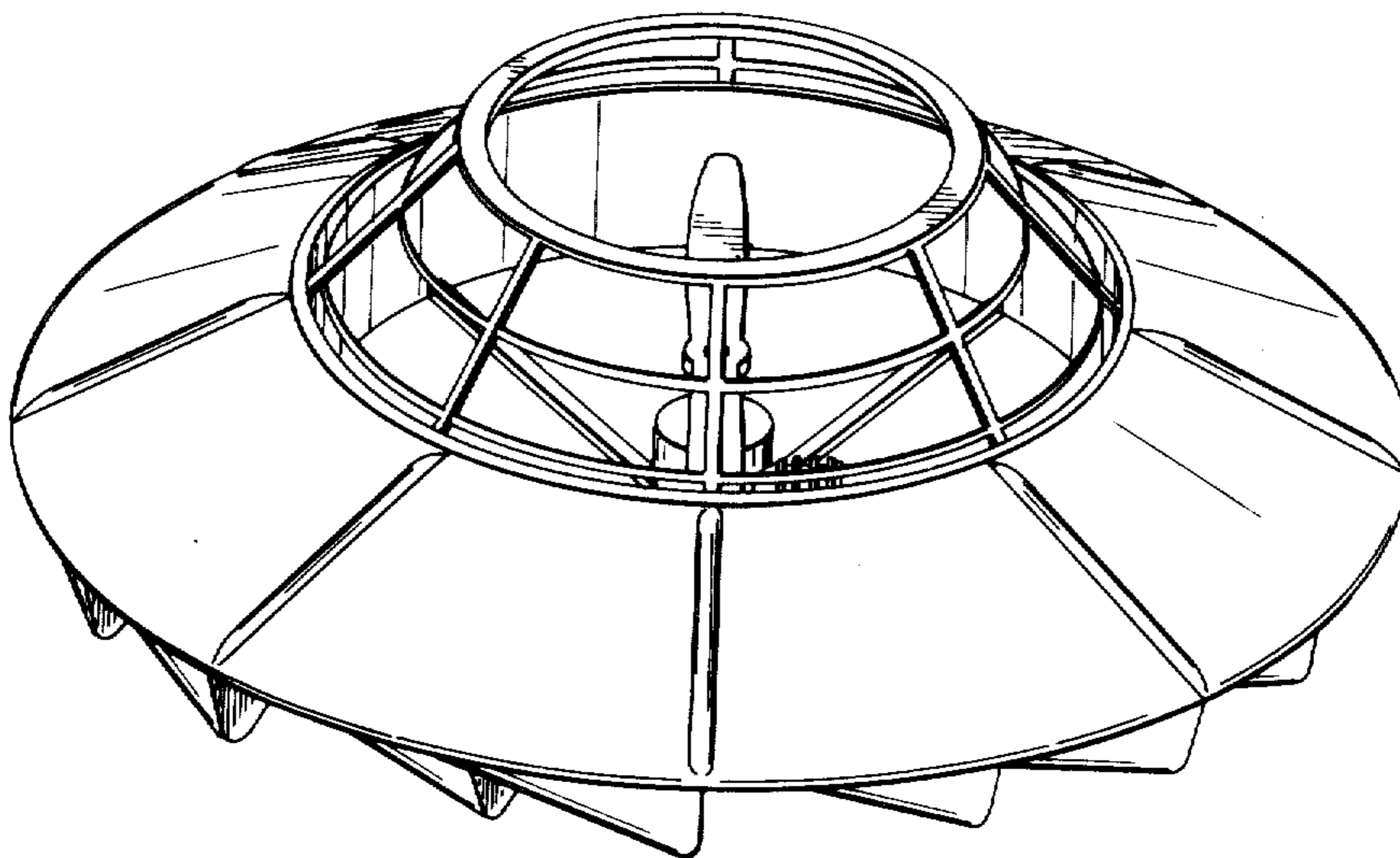


FIG. 1

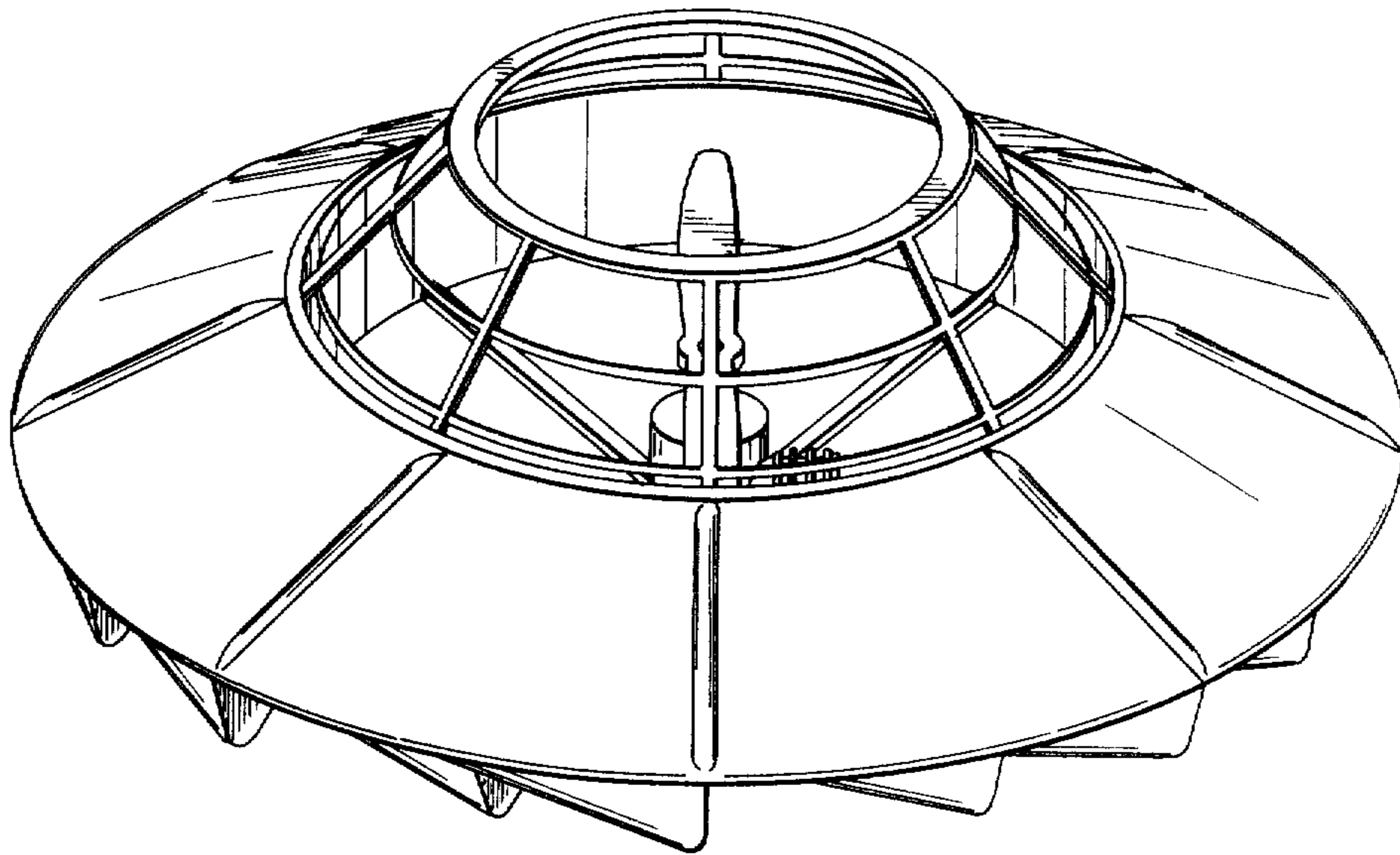


FIG. 2

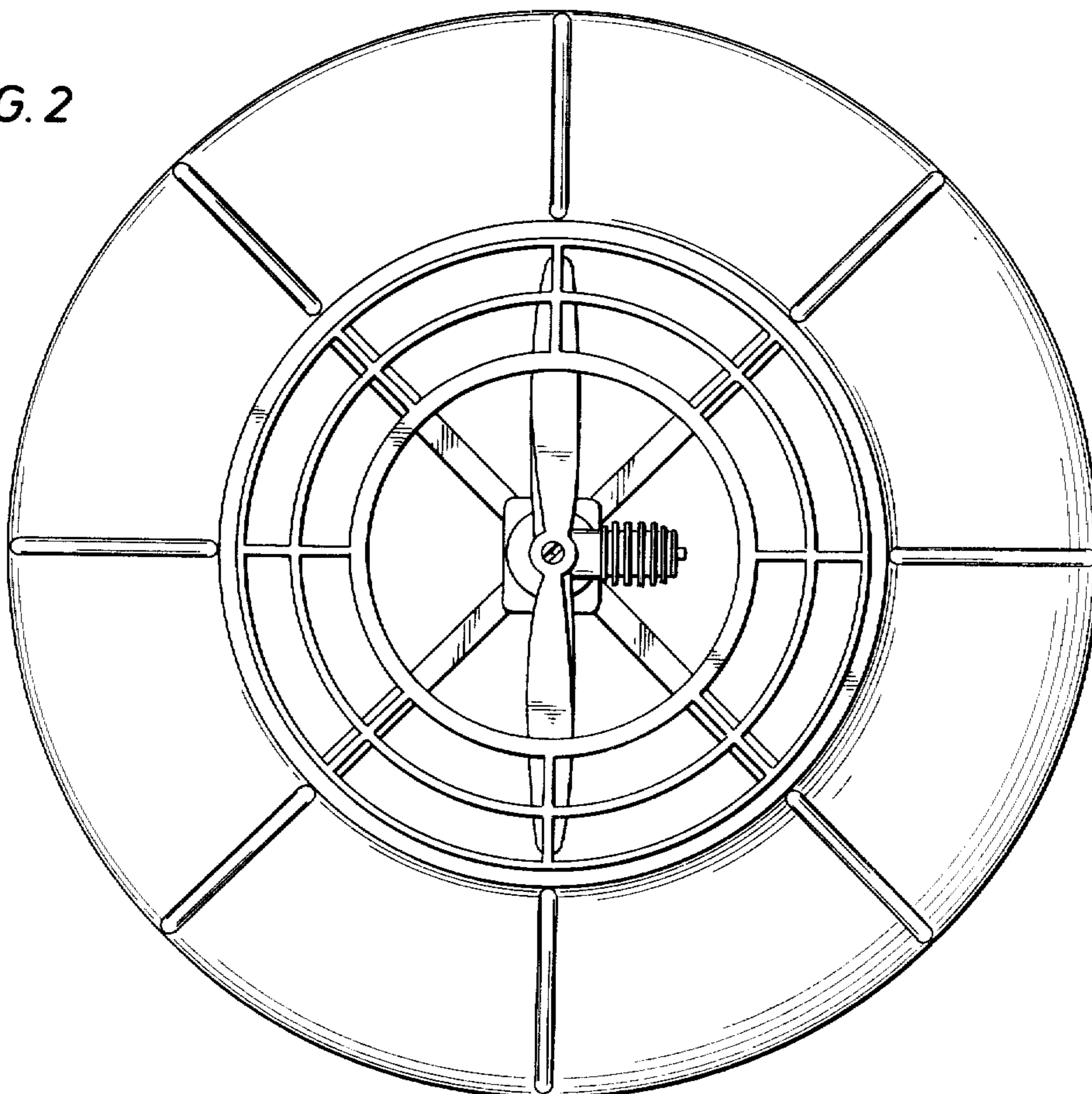


FIG. 3

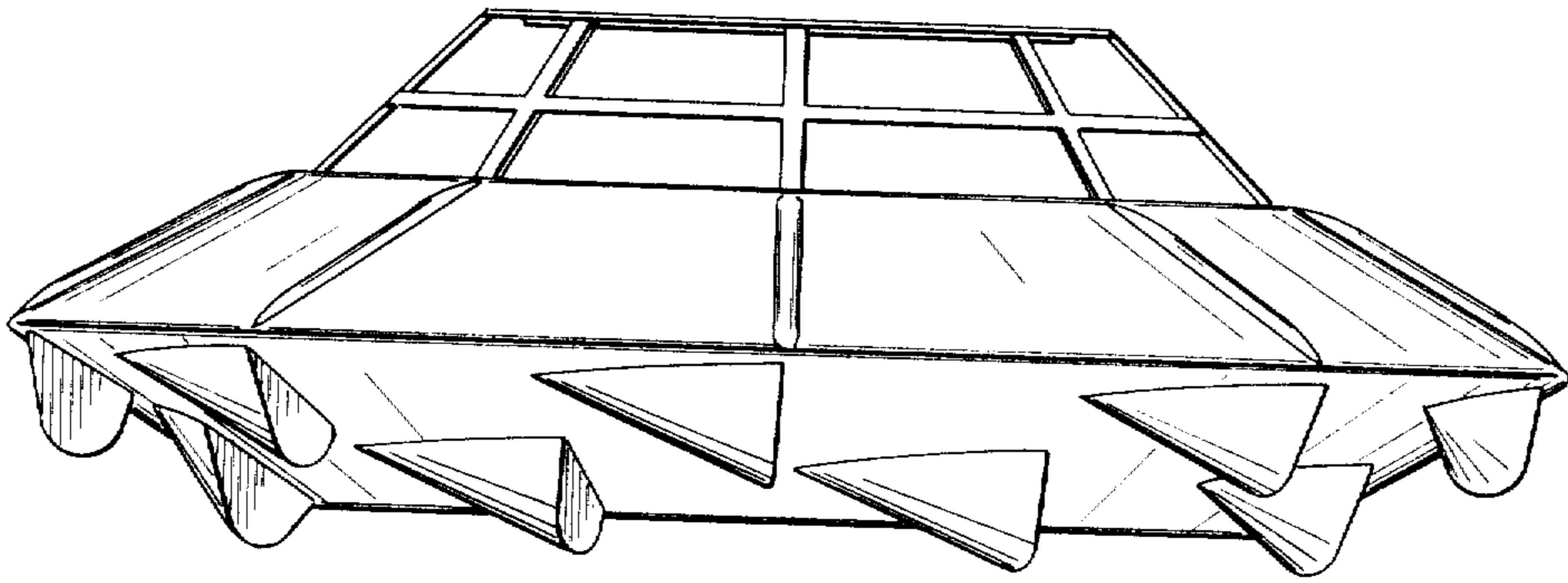


FIG. 4

