

[54] TYPING COPY HOLDER

D. 146,978 6/1947 Mack, Jr. D19/91
2,505,814 5/1950 Voorhorst 248/442.2

[76] Inventor: Bruce K. Nagley, 4765 Kingshill Dr.,
Columbus, Ohio 43229

[**] Term: 14 Years

[21] Appl. No.: 123,126

[22] Filed: Feb. 21, 1980

[51] Int. Cl. D19-02

[52] U.S. Cl. D19/91

[58] Field of Search D19/91; D6/180, 184;
40/352, 353, 356, 341; 248/441 R, 441 A, 450,
442.2

[56] References Cited

U.S. PATENT DOCUMENTS

D. 94,127 12/1934 Fitzgerald D19/91

OTHER PUBLICATIONS

Office Products, 12/77, p. 66, "Scanguide" bottom rt.

Primary Examiner—George P. Word

Attorney, Agent, or Firm—Robert E. Stebens

[57] CLAIM

The ornamental design for a typing copy holder, substantially as shown and described.

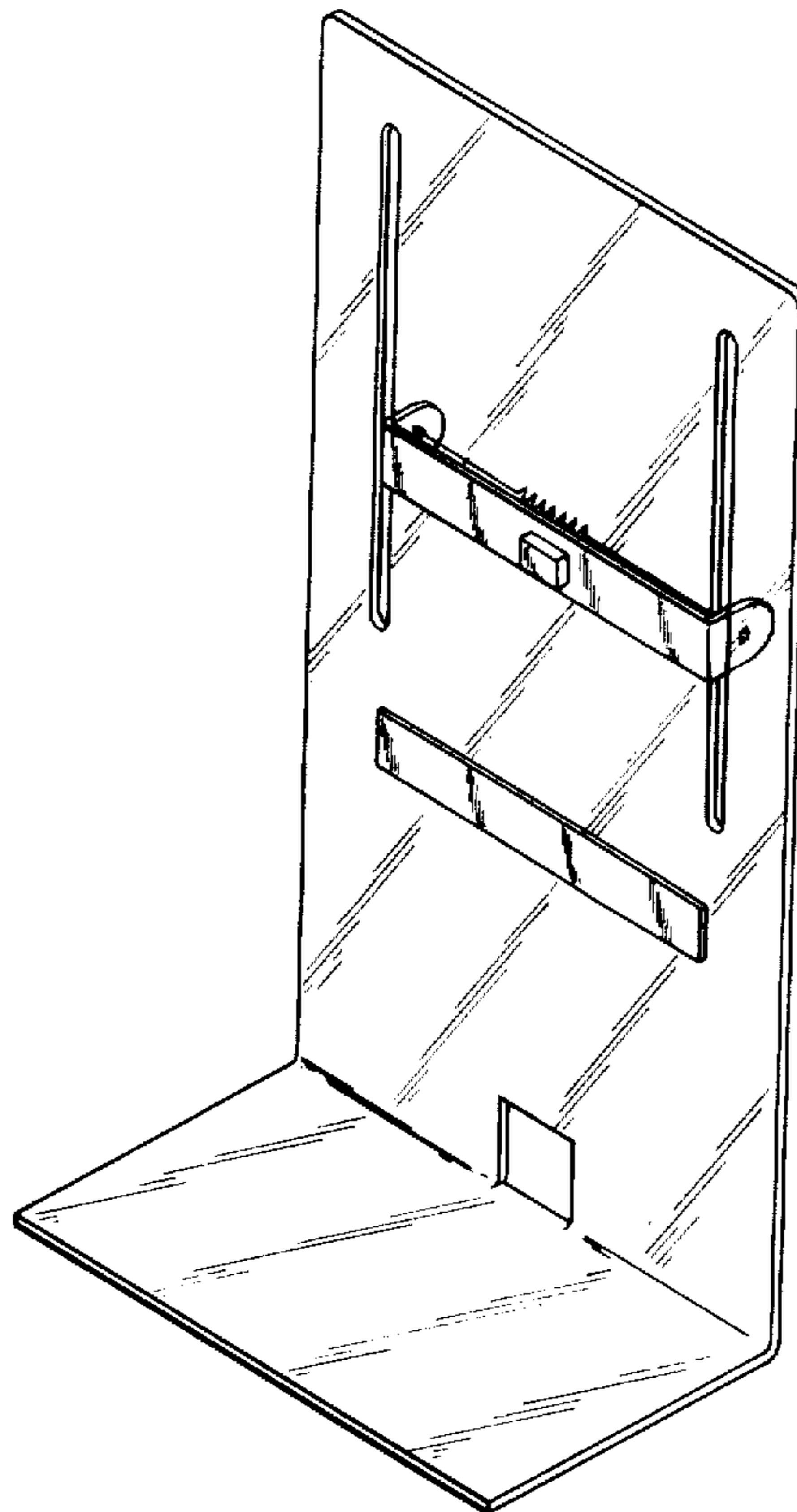
DESCRIPTION

FIG. 1 is a perspective view of a typing copy holder showing my new design.

FIG. 2 is a left side elevational view, the opposite side being a mirror image thereof;

FIG. 3 is a top plan view thereof; and

FIG. 4 is a rear elevational view thereof.



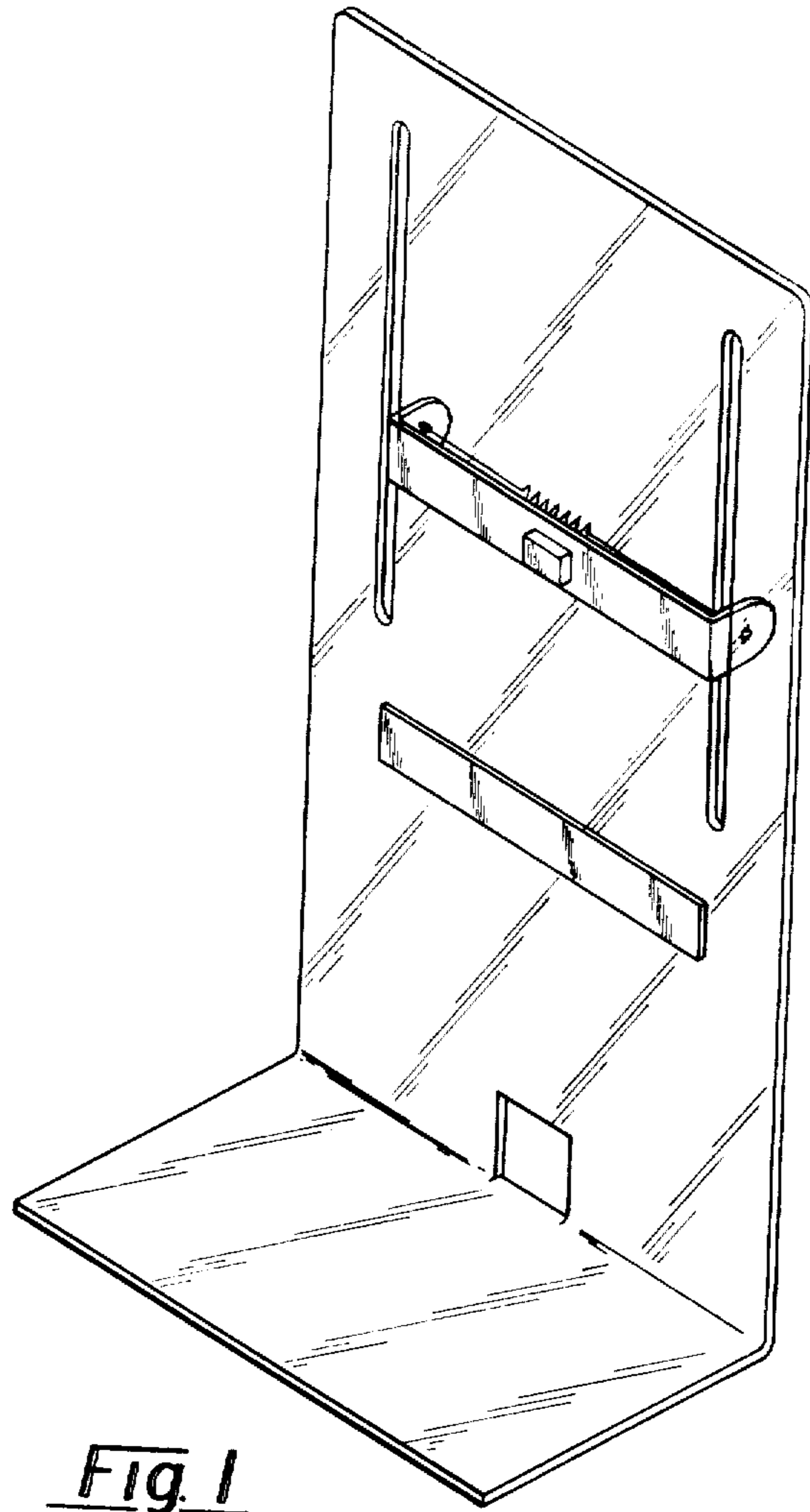


Fig. 1

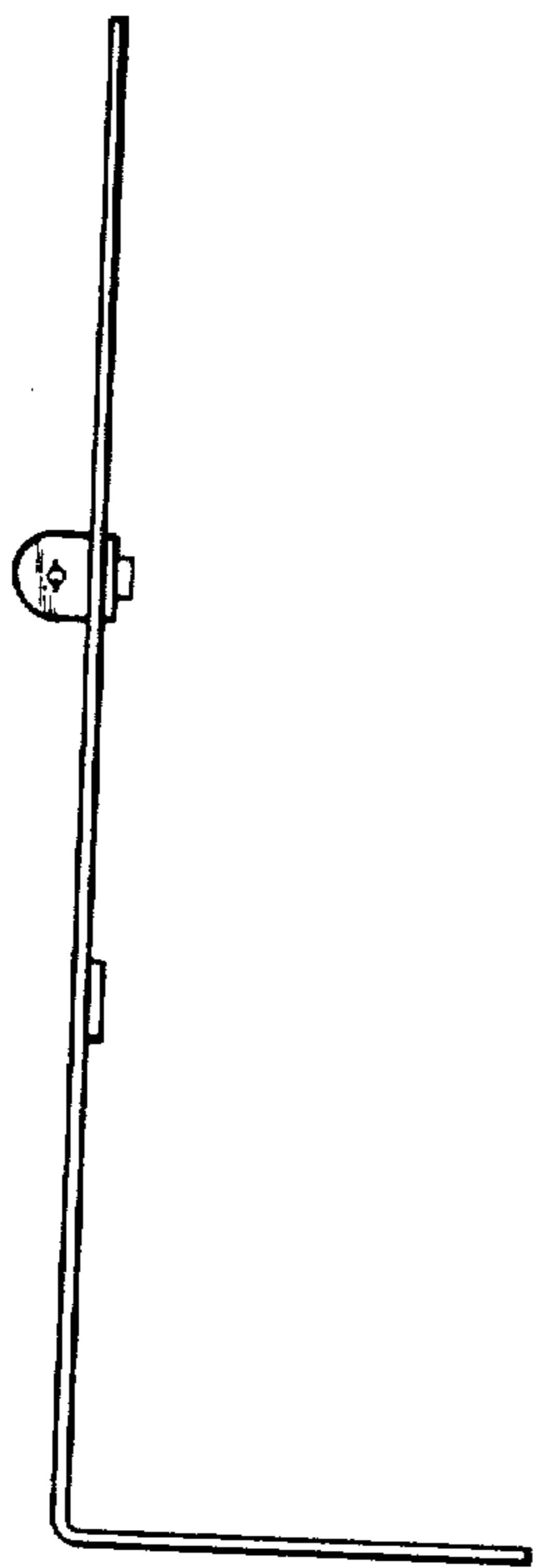


Fig. 2

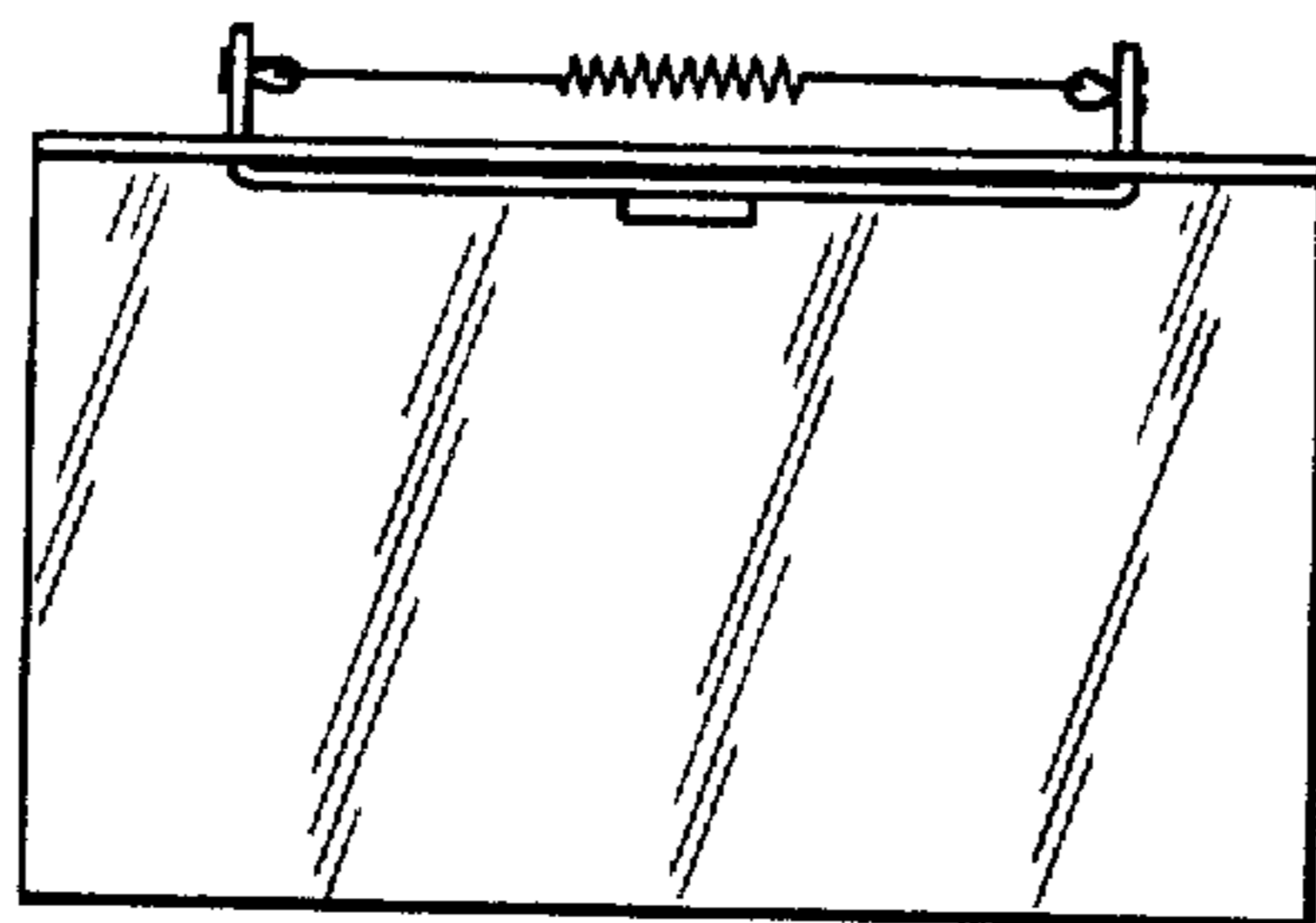


Fig. 3

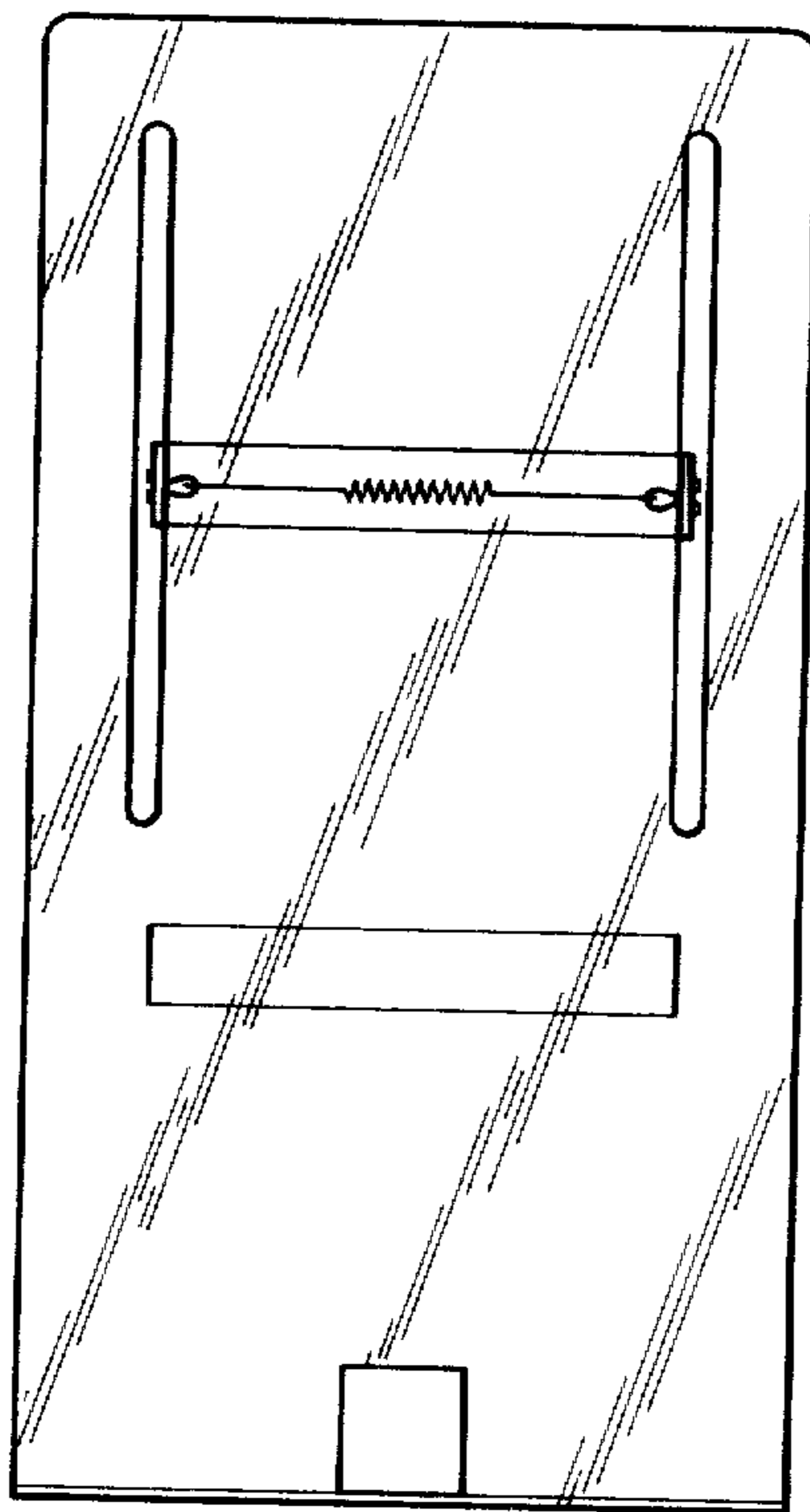


Fig. 4