

[54] COMBINED ELECTRIC PUNCH AND BINDING MACHINE

[75] Inventor: Herbert H. Hausmann, Prairie View, Ill.

[73] Assignee: General Binding Corporation, Northbrook, Ill.

[**] Term: 14 Years

[21] Appl. No.: 72,486

[22] Filed: Sep. 4, 1979

[51] Int. Cl. D18-04

[52] U.S. Cl. D18/34

[58] Field of Search D18/34; 402/80, 1 R; 11/1 R, 1 A, 1 AC, 1 AD

[56] References Cited

U.S. PATENT DOCUMENTS

- D. 233,559 11/1974 Estes D18/34
- D. 238,000 12/1975 Patla D18/34

- D. 246,204 10/1977 Balmer D18/34
- 1,346,179 7/1920 Crippen 402/1 X
- 3,879,783 4/1975 Giulie D18/34 X
- 3,992,741 11/1976 Staats 11/1 R
- 3,994,035 11/1976 Elder et al. 11/1 R

Primary Examiner—Robert C. Spangler
Attorney, Agent, or Firm—Hill, Van Santen, Steadman, Chiara & Simpson

[57] CLAIM

The ornamental design for a combined electric punch and binding machine, substantially as shown.

DESCRIPTION

FIG. 1 is a front perspective view of a combined electric punch and binding machine showing my new design;
 FIG. 2 is a side elevational view showing the side not seen in FIG. 1;
 FIG. 3 is a rear elevational view;
 FIG. 4 is a front elevational view; and
 FIG. 5 is a top plan view thereof.

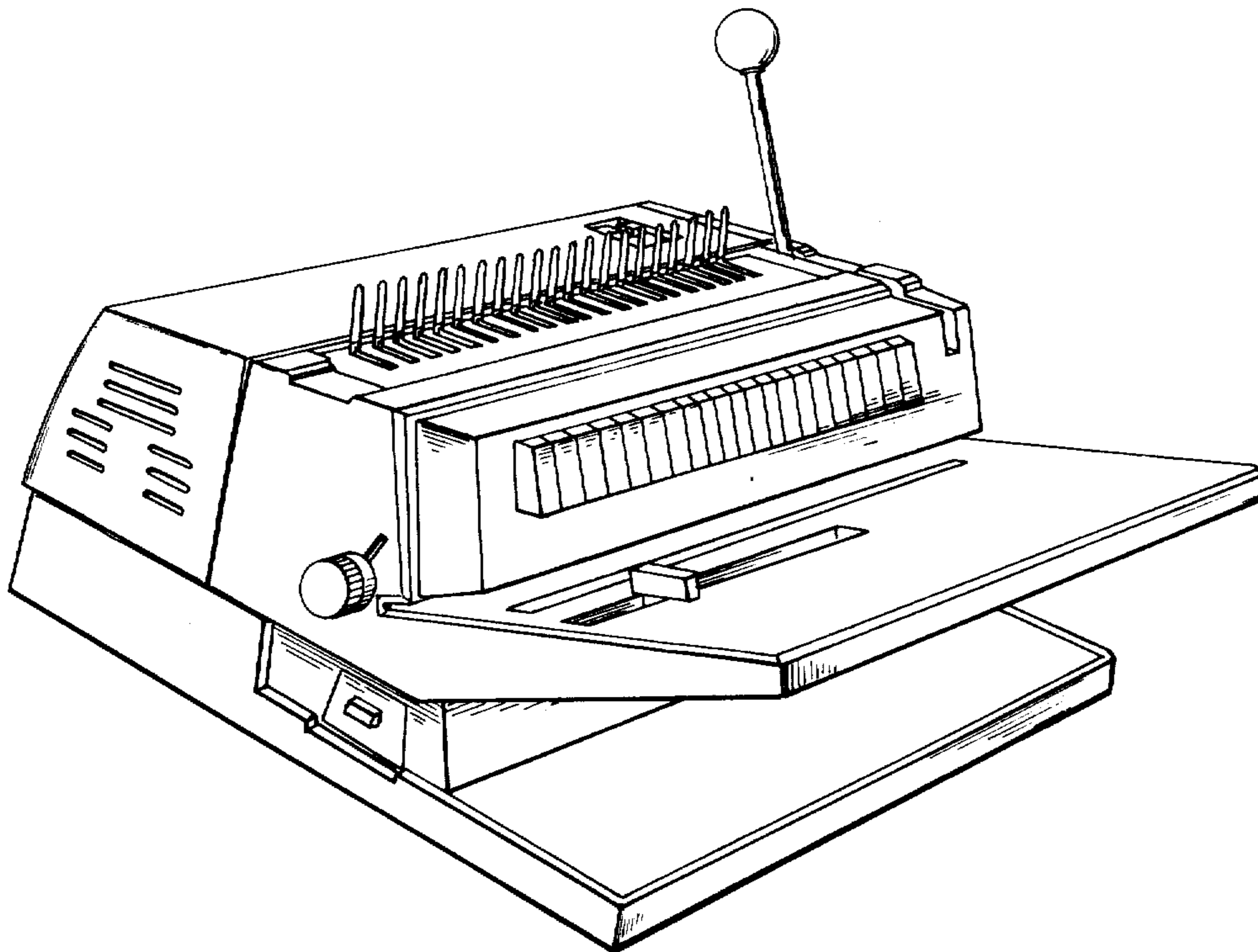


Fig. 1

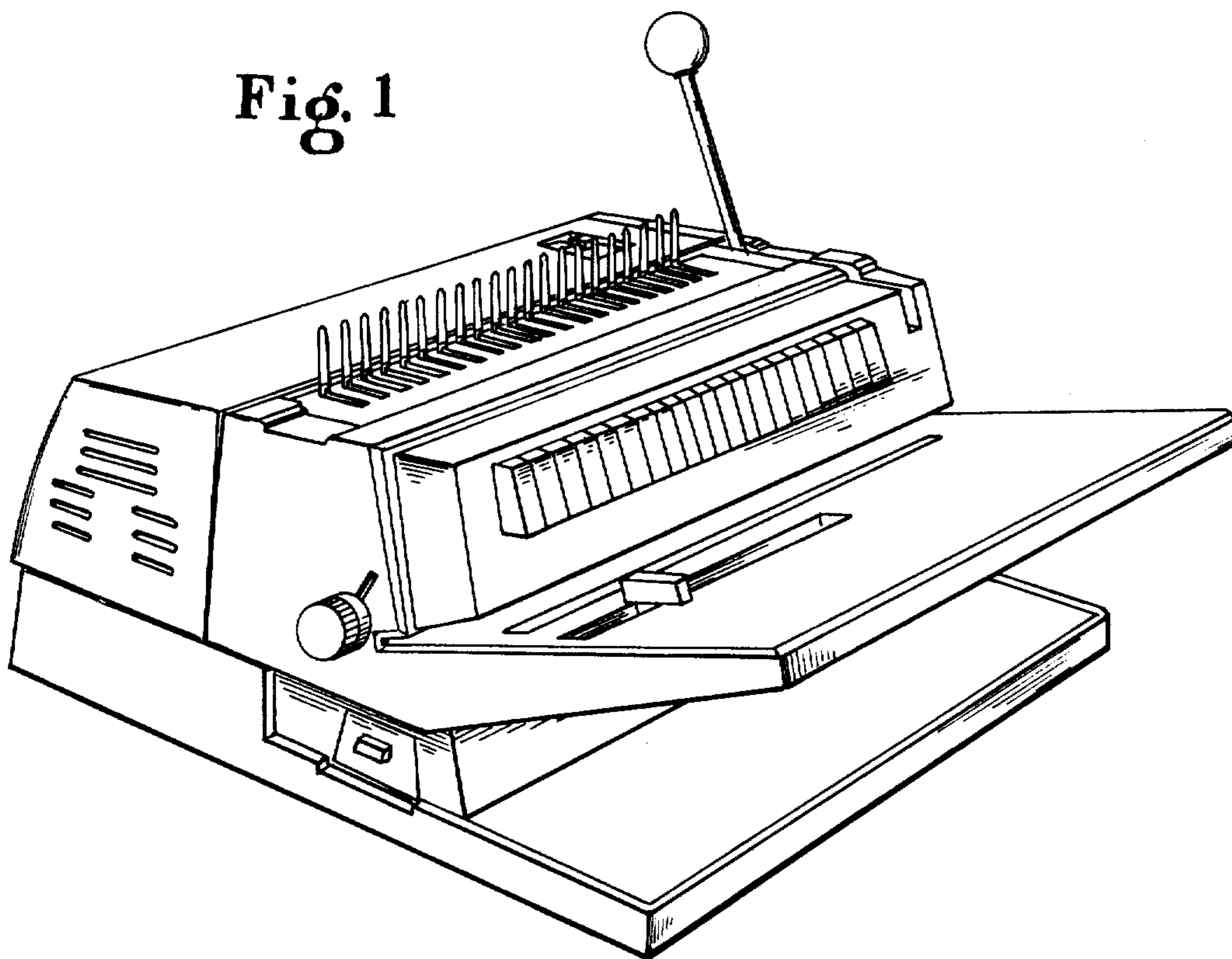
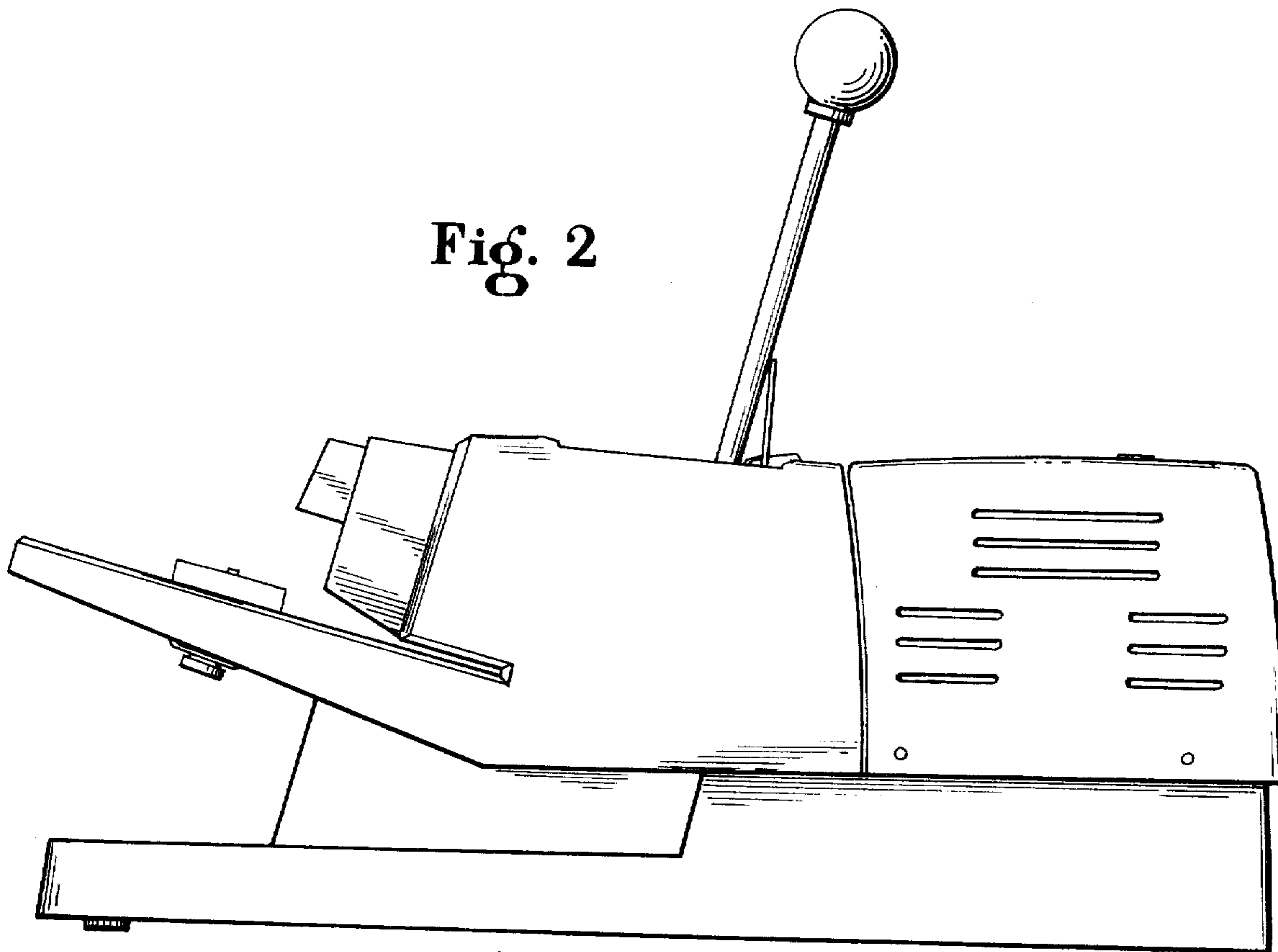


Fig. 2



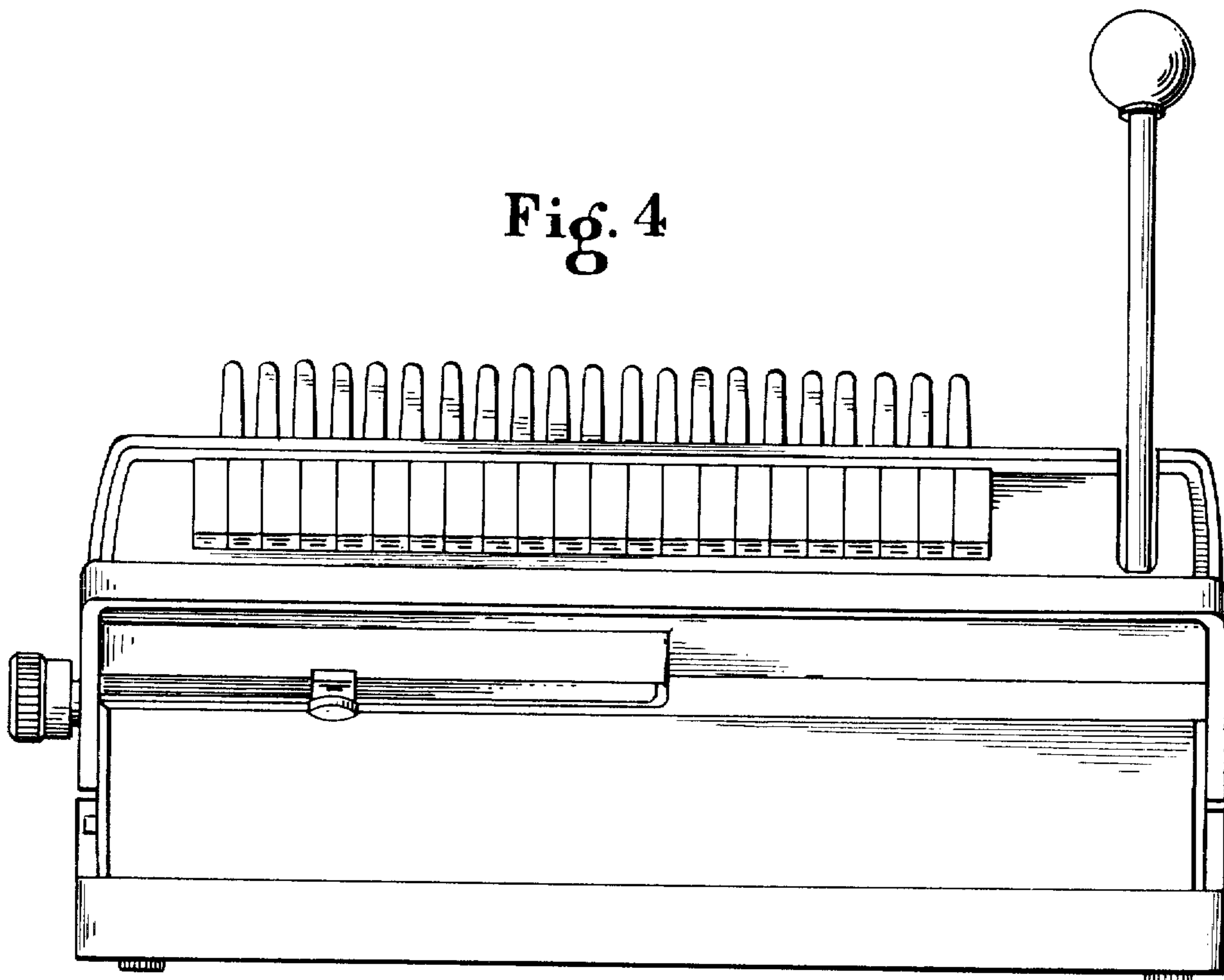
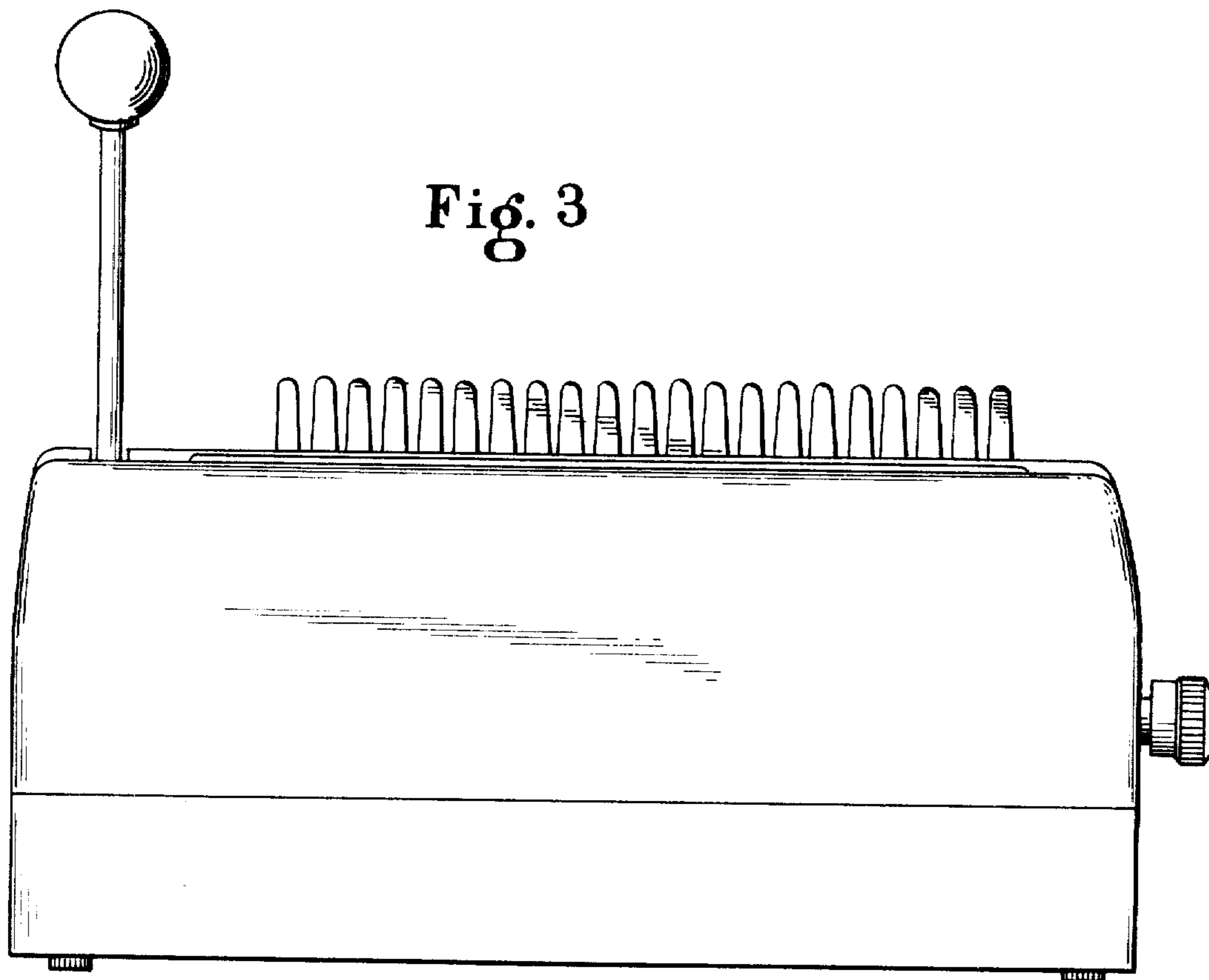


Fig. 5

