

[54] ELECTRONIC FLASH OR SIMILAR ARTICLE

[75] Inventors: James M. Conner, Harrison; James M. Ryan, New York, both of N.Y.

[73] Assignee: Polaroid Corporation, Cambridge, Mass.

[**] Term: 14 Years

[21] Appl. No.: 945,190

[22] Filed: Sep. 25, 1978

[51] Int. Cl. D16-05

[52] U.S. Cl. D16/42

[58] Field of Search D16/42; 354/126, 132, 354/145, 202, 288, 295; 362/3-18

[56] References Cited

U.S. PATENT DOCUMENTS

D. 247,439	3/1978	Asaki	D16/42
D. 252,209	6/1979	Taylor	D16/42
3,943,532	3/1976	Filippis	354/126
4,106,077	8/1978	Furda	354/126 X

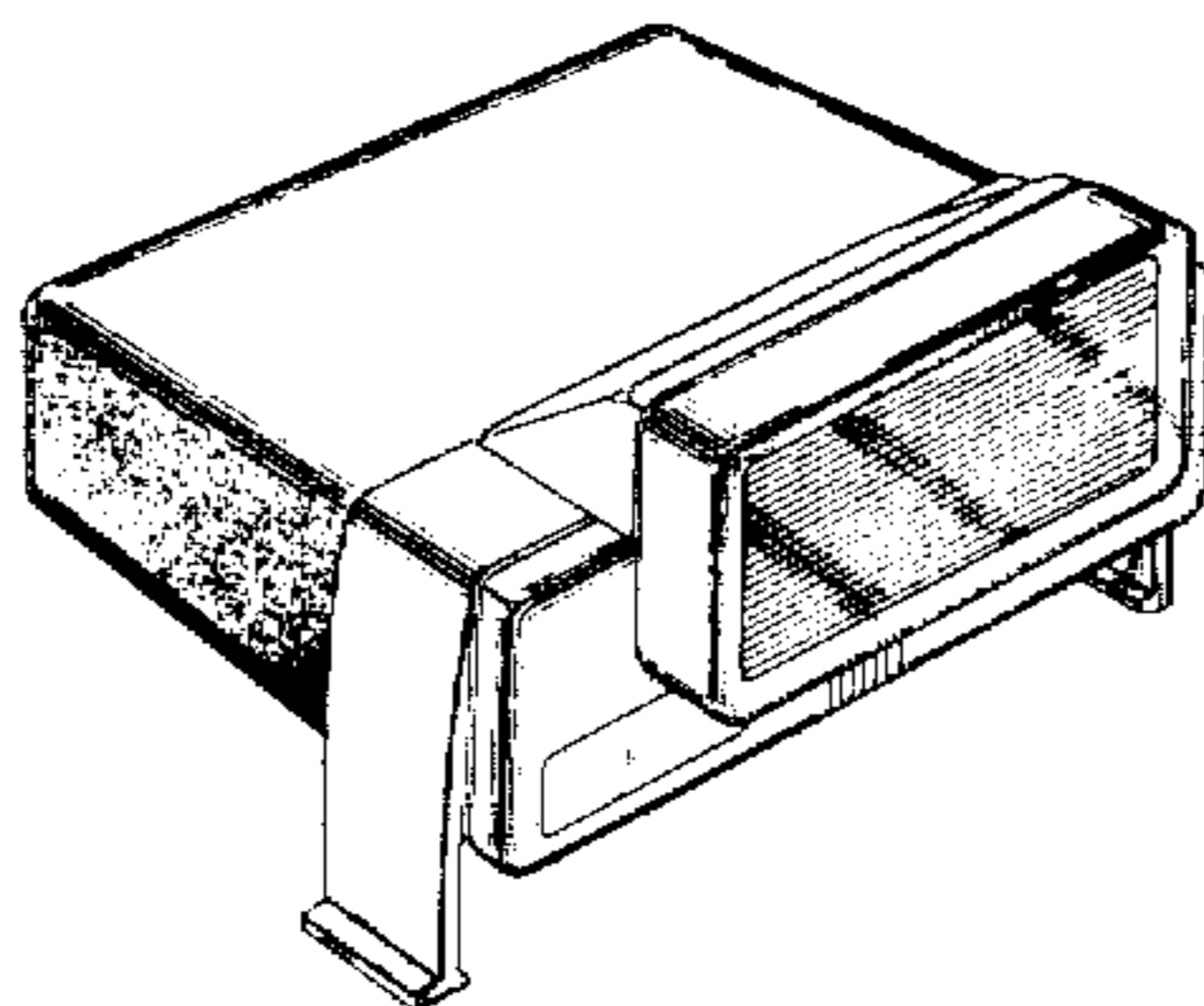
Primary Examiner—Catherine E. Kemper
Attorney, Agent, or Firm—Edward S. Roman

[57] CLAIM

The ornamental design for an electronic flash or similar article, as shown.

DESCRIPTION

FIG. 1 is a left front perspective view of an electronic flash or similar article showing our new design; FIG. 2 is a top plan view thereof; FIG. 3 is a front elevational view thereof; FIG. 4 is a bottom plan view thereof; FIG. 5 is a right side elevational view thereof; FIG. 6 is a left side elevational view thereof; and FIG. 7 is a rear elevational view thereof.



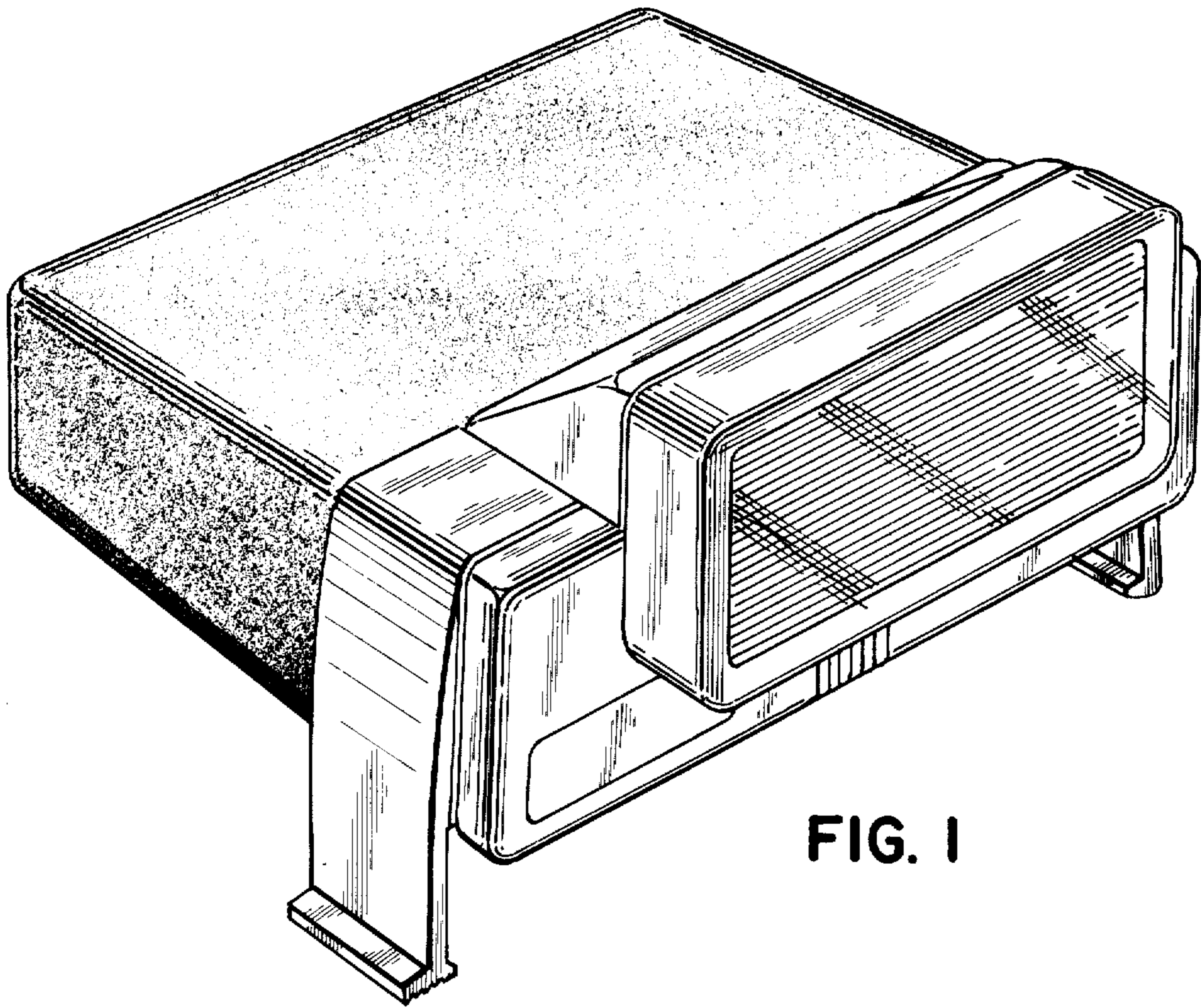


FIG. 1

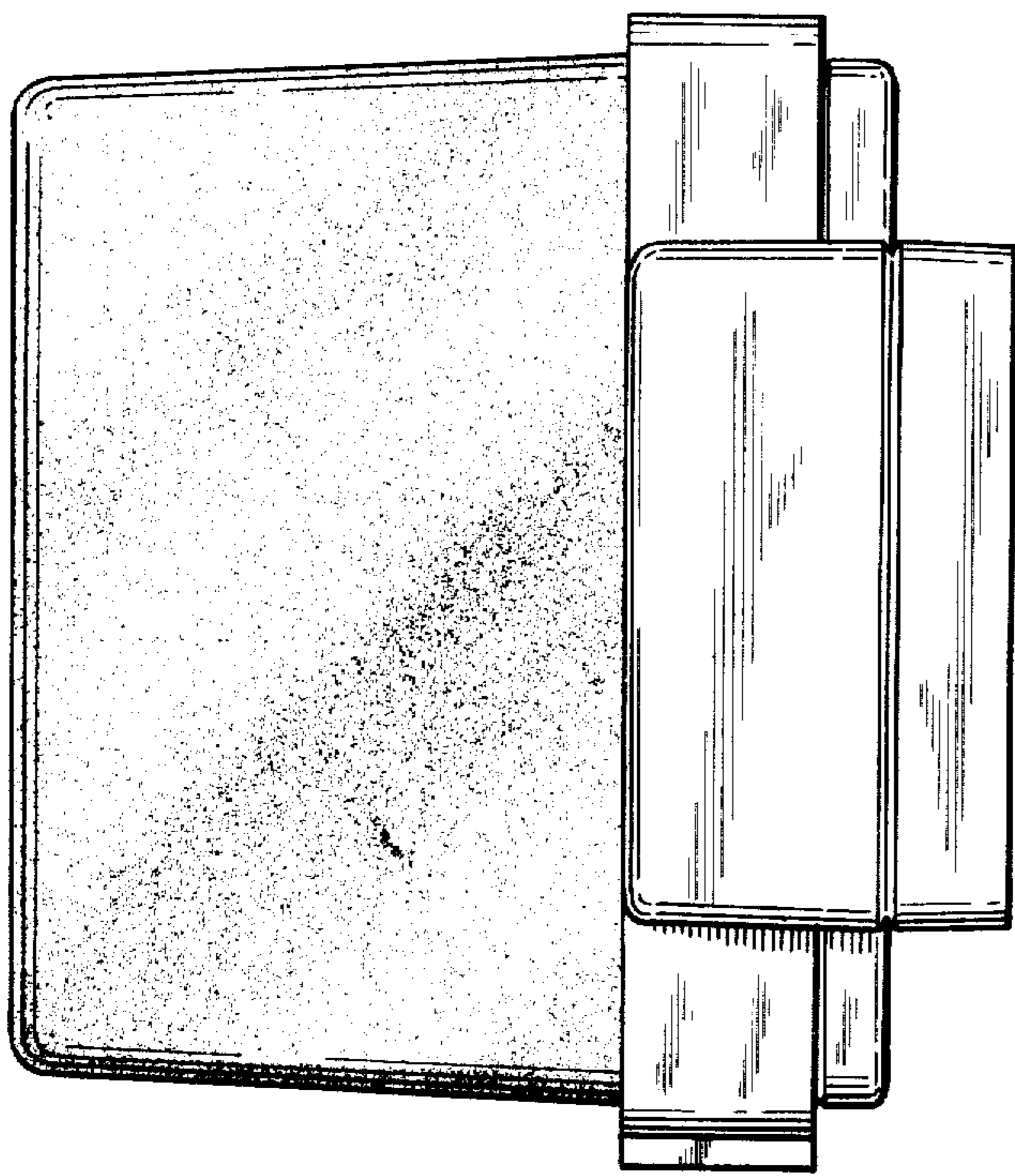


FIG. 2

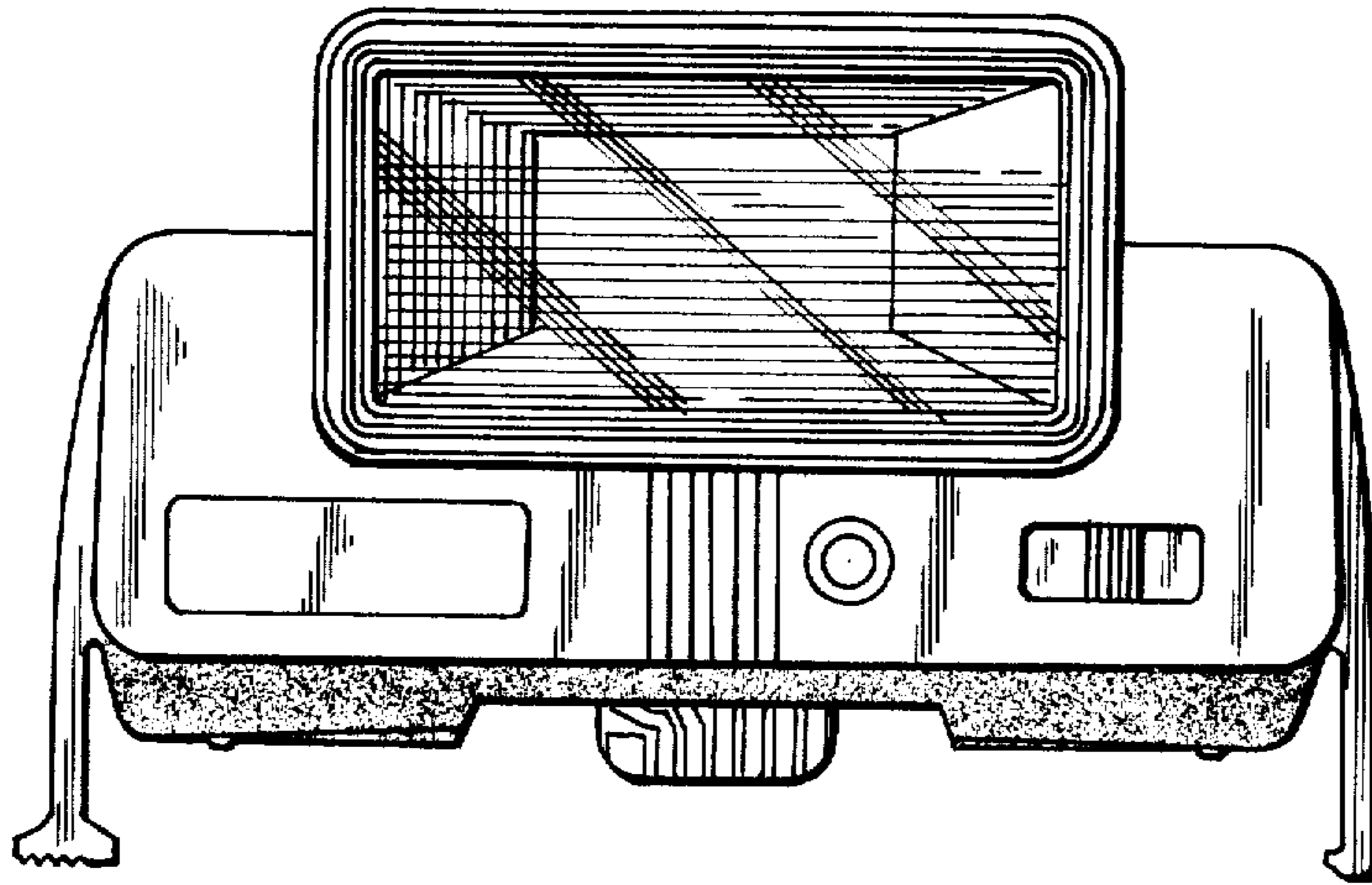


FIG. 3

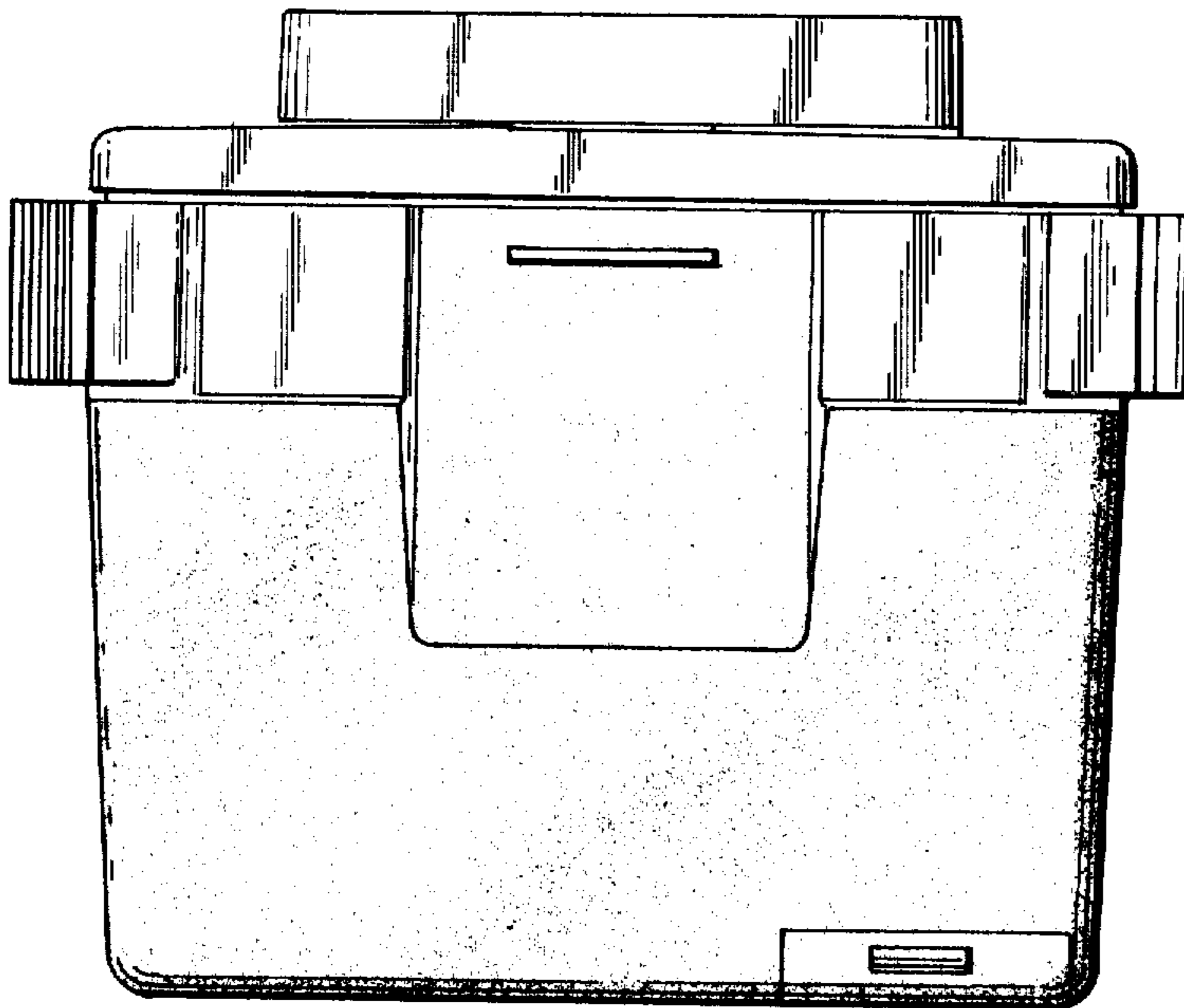


FIG. 4

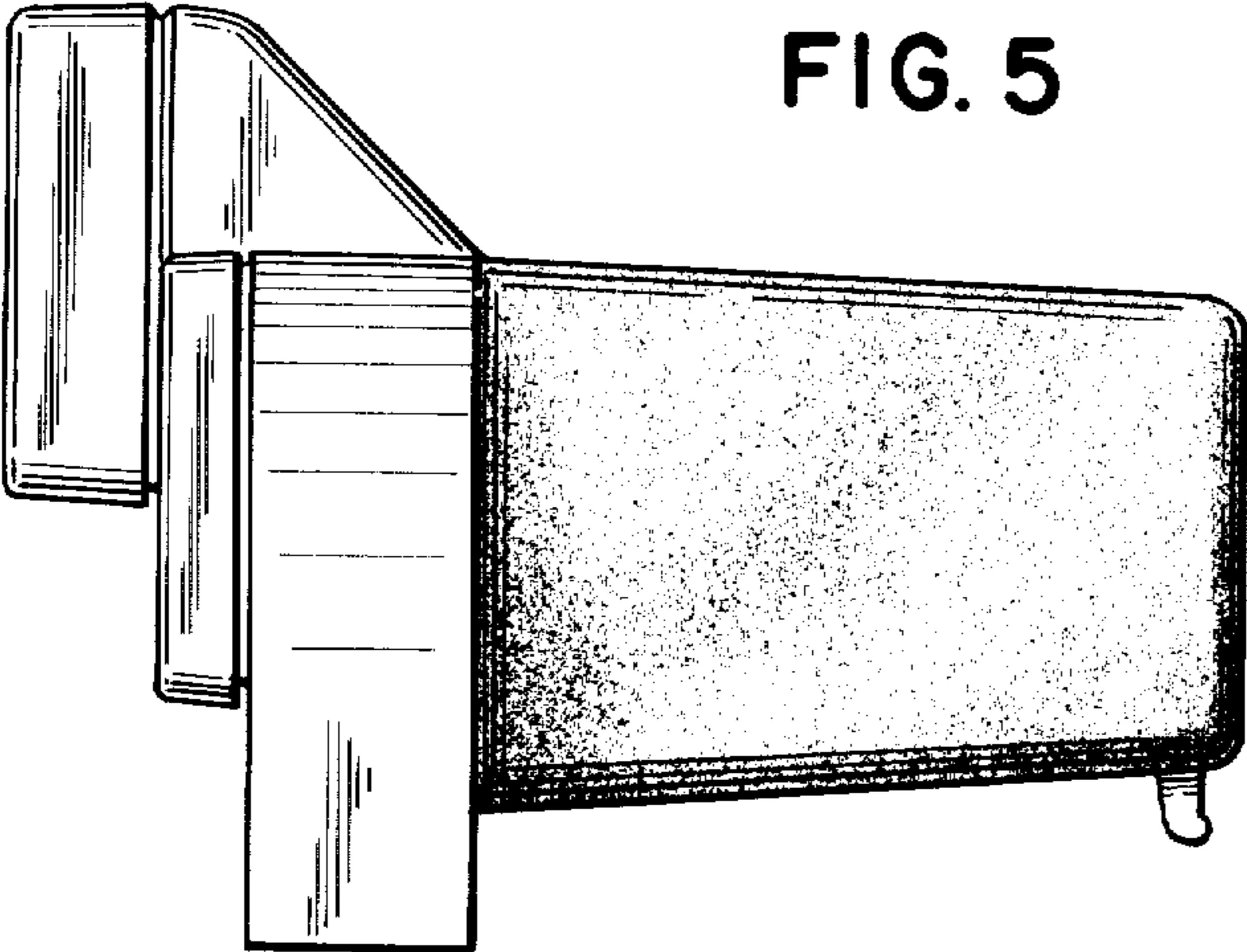


FIG. 5

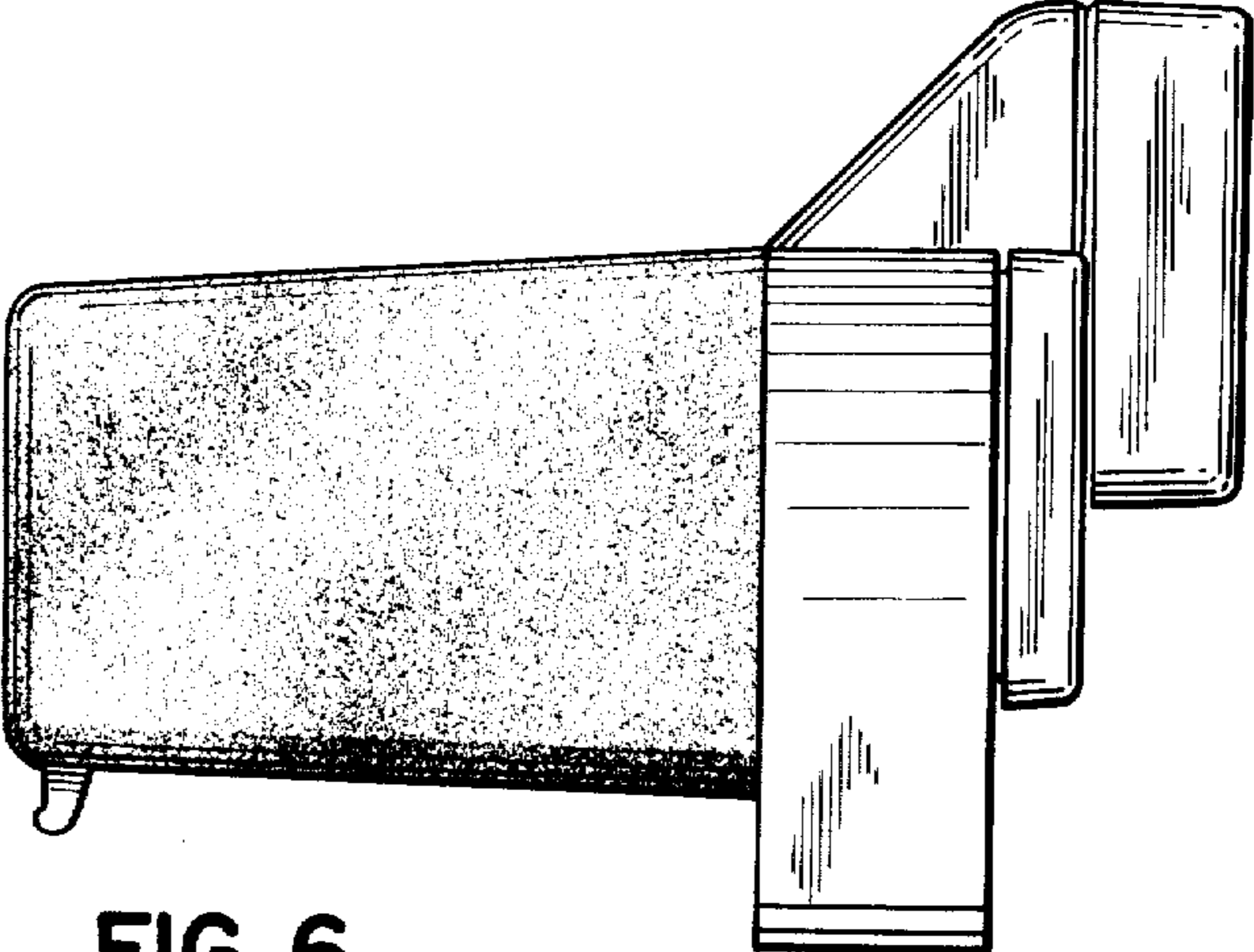


FIG. 6

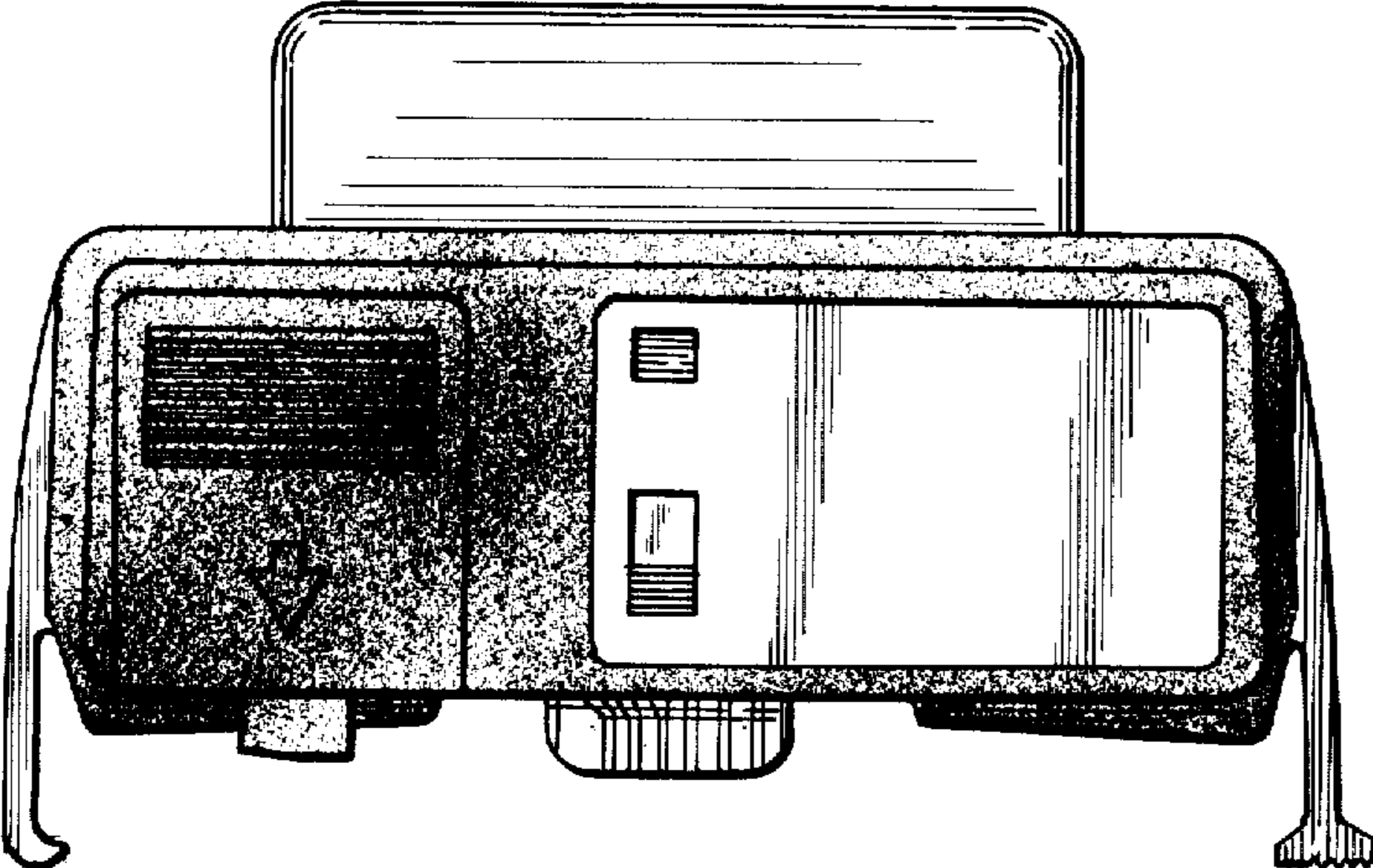


FIG. 7