

[54] TWO-WHEELED OIL REFINER DOLLY OR THE LIKE

1,828,428 10/1931 Moreton 208/179
3,616,885 11/1971 Priest 208/179

[76] Inventor: Lester L. Johnson, Sr., 6175 Fordham Cir., East, Jacksonville, Fla. 32217

Primary Examiner—Peter M. Caun
Attorney, Agent, or Firm—Arthur G. Yeager

[**] Term: 14 Years

[57] CLAIM

The ornamental design for a two-wheeled oil refiner dolly or the like, substantially as shown and described.

[21] Appl. No.: 68,695

DESCRIPTION

[22] Filed: Aug. 22, 1979

[51] Int. Cl. D15-99

[52] U.S. Cl. D15/150

[58] Field of Search D15/150, 151, 152; 196/46.1, 128; 208/179; 210/180, 184

FIG. 1 is a front elevational view of the two-wheeled oil refiner dolly or the like showing my new design, with the hose from the lower container being cut and not fully shown and the electrical cord shown in FIG. 5 to the upper control box being cut and not fully shown for clarity of illustration;

FIG. 2 is a left side elevational view thereof;

FIG. 3 is a top plan view thereof;

FIG. 4 is a right side elevational view thereof;

FIG. 5 is a rear elevational view thereof; and

FIG. 6 is a bottom view thereof.

[56] References Cited

U.S. PATENT DOCUMENTS

D. 196,602 10/1963 Russell D15/152
D. 202,483 10/1965 Forrester D15/150

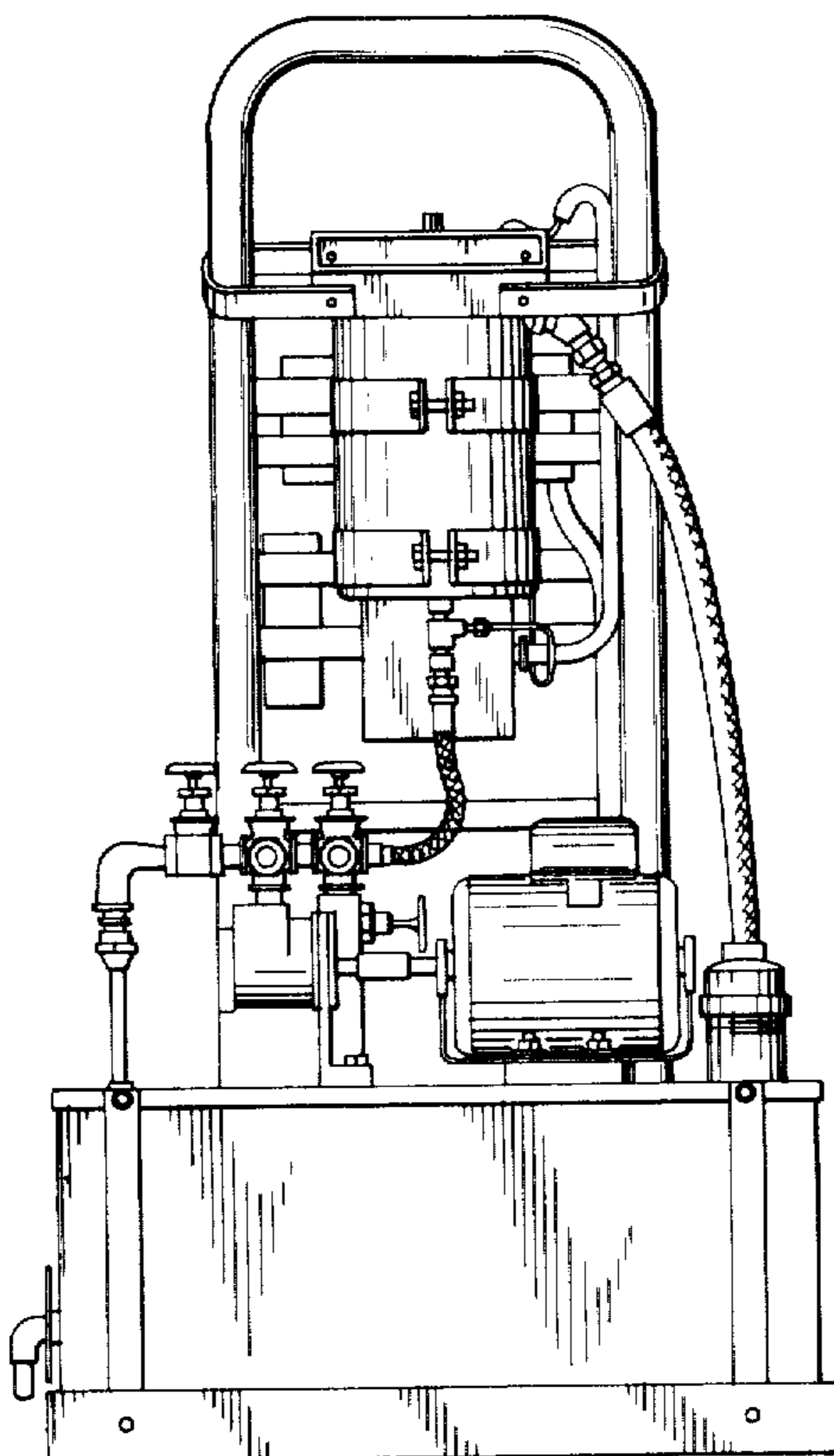


FIG. 1

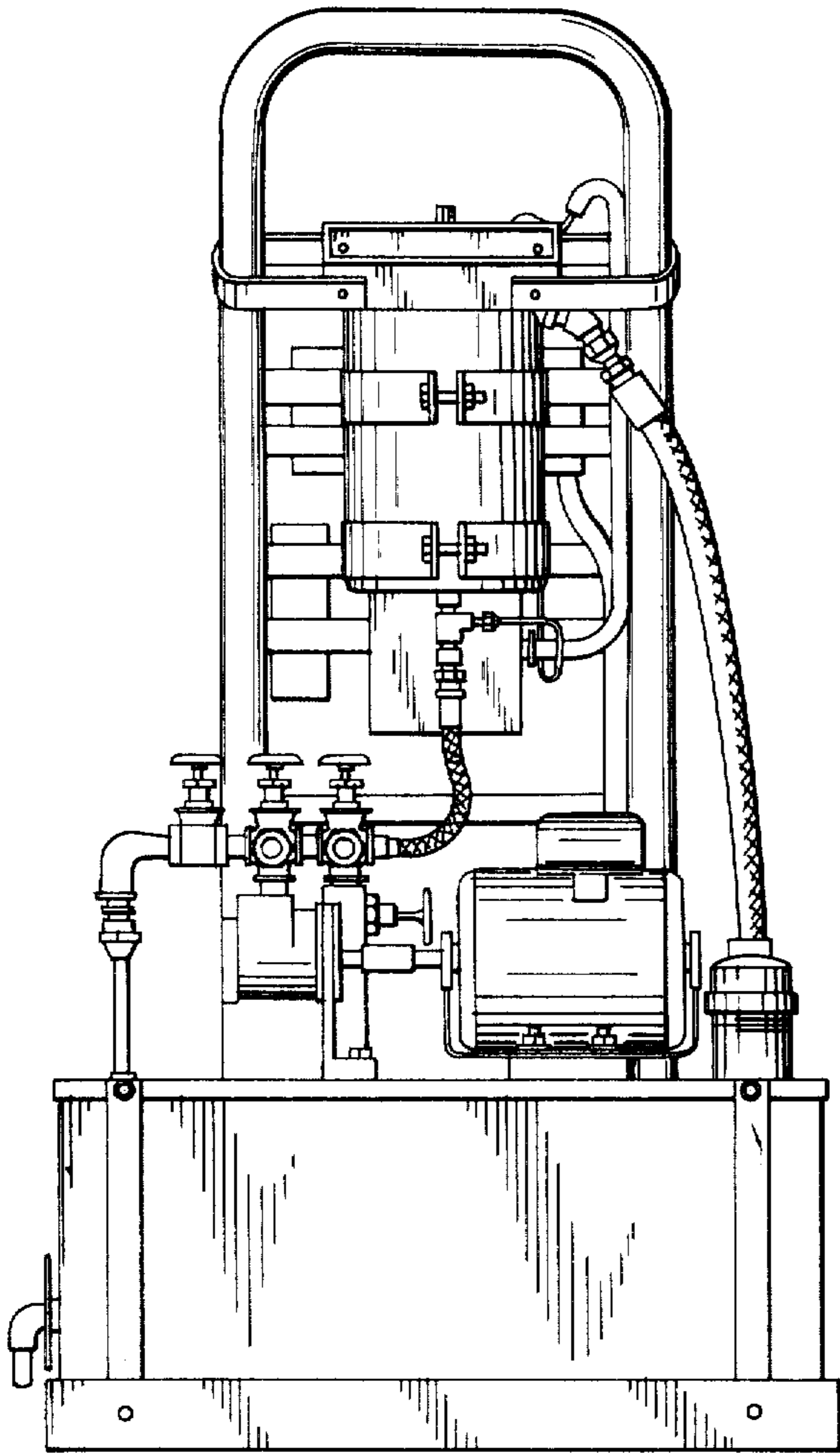


FIG. 2

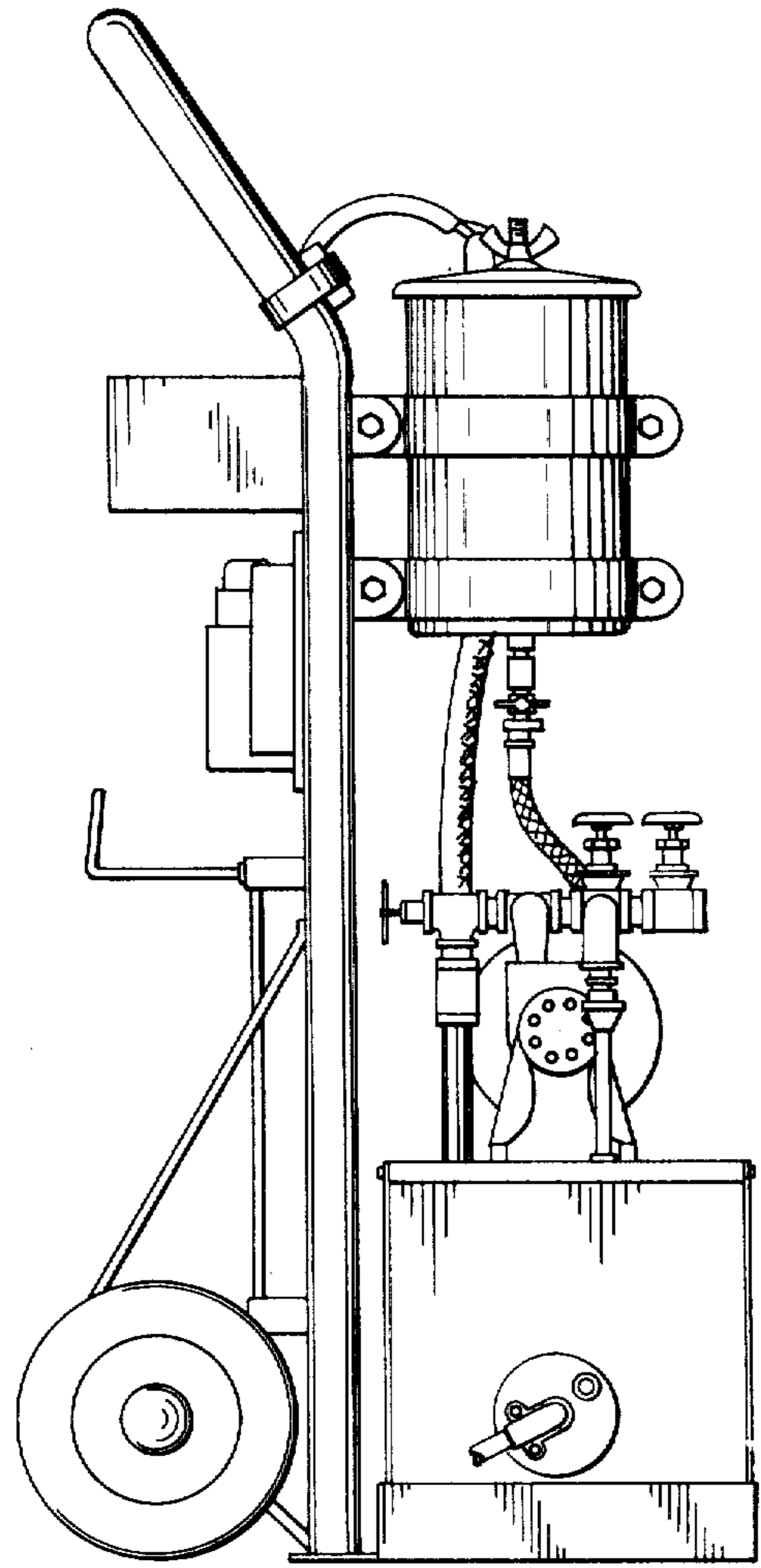


FIG. 3

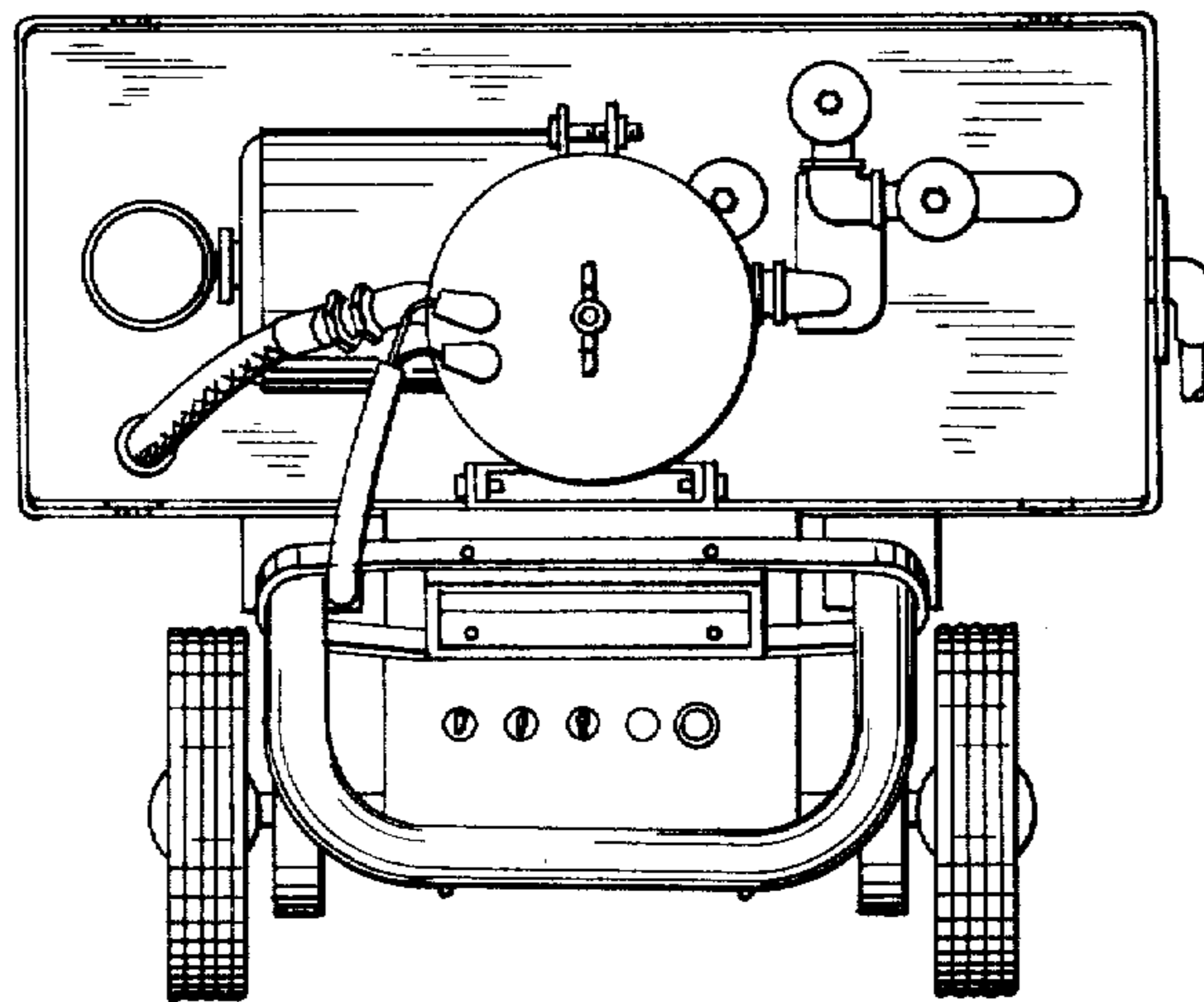


FIG. 5

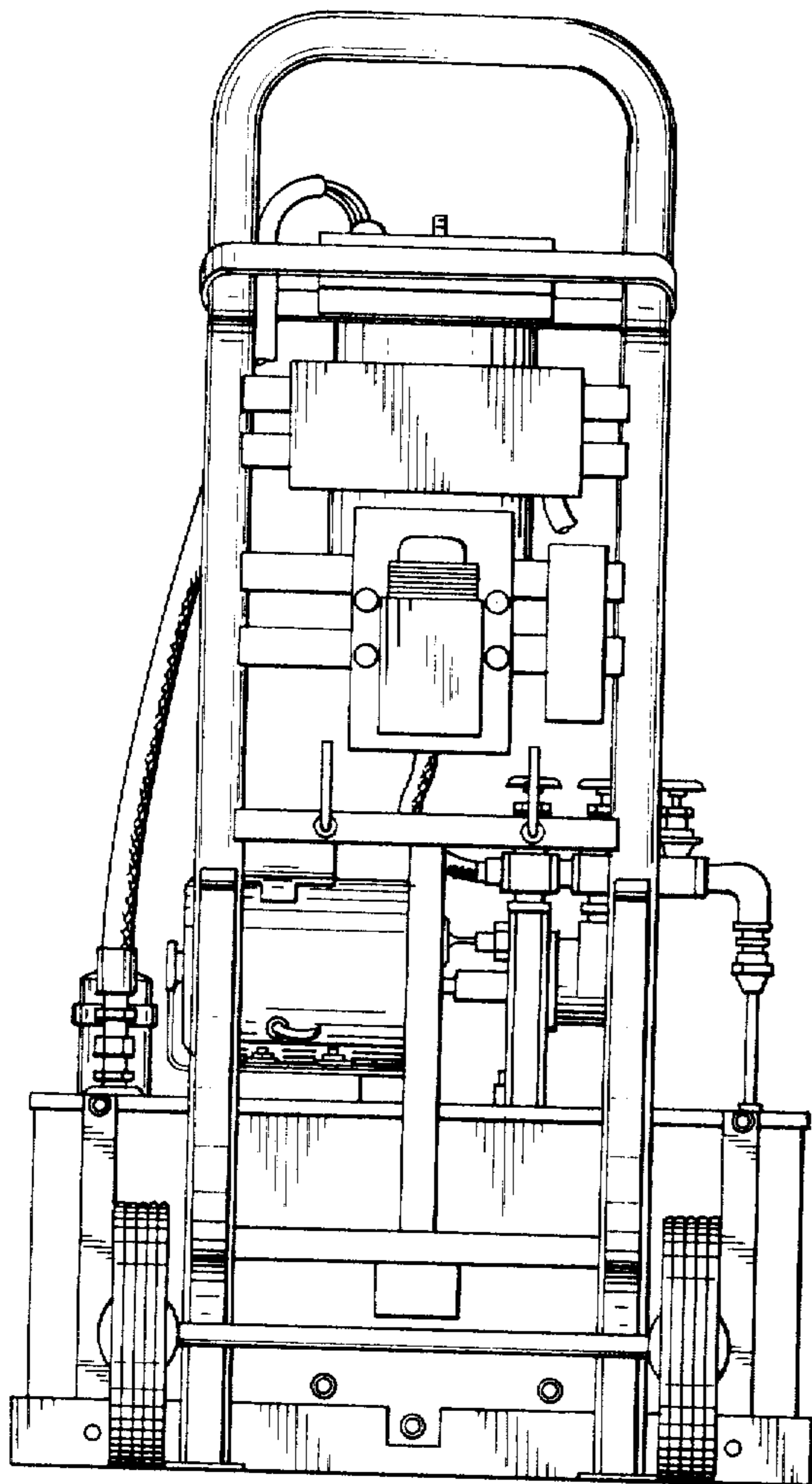


FIG. 4

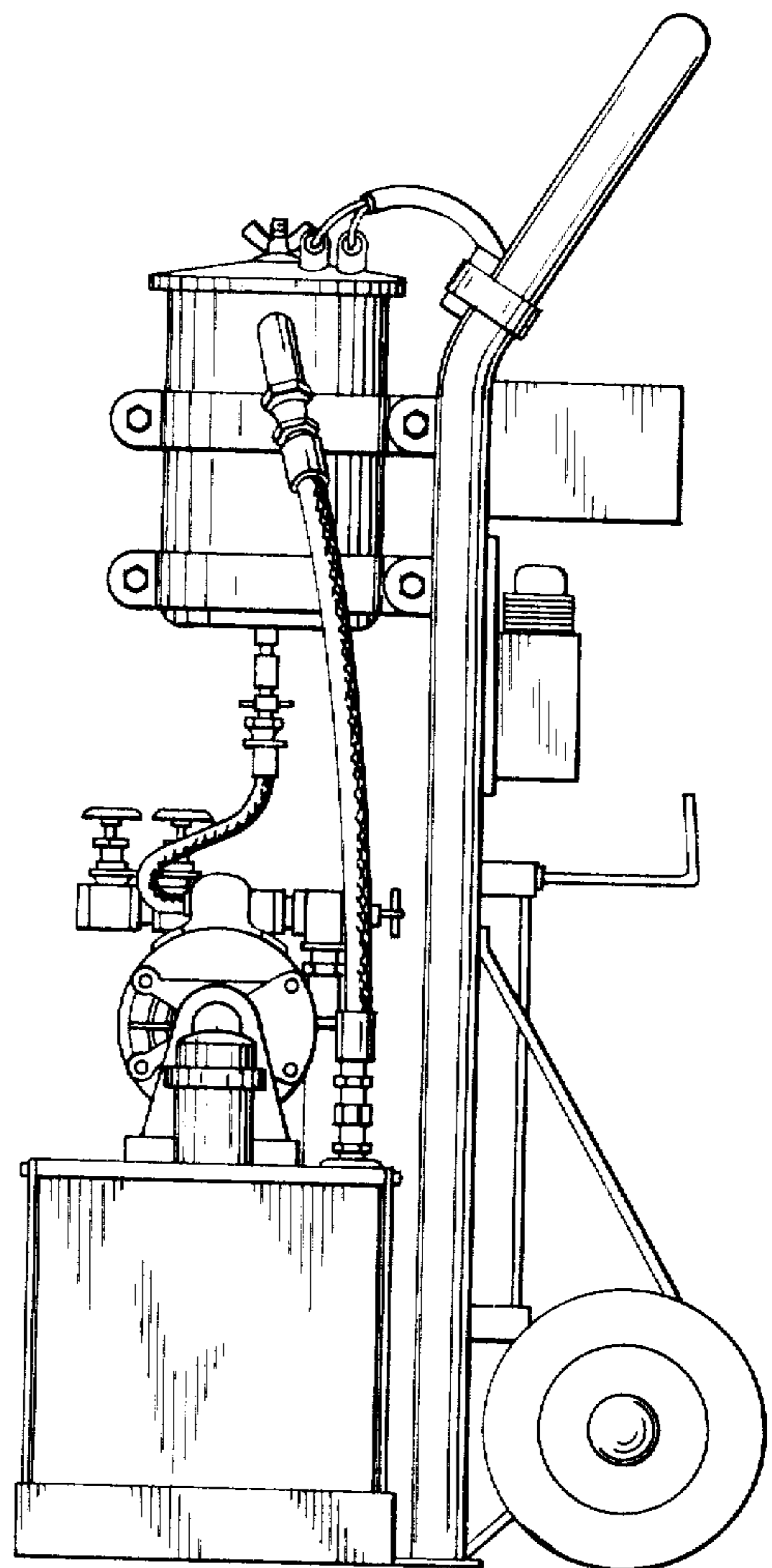


FIG. 6

