

[54] **HOUSING FOR A BENCH TOP BAND SAW**

[75] **Inventor: Edward A. Irelan, Columbia, Mo.**

[73] **Assignee: Benchmark Tool Company, Vandalia, Ohio**

[\*\*] **Term: 14 Years**

[21] **Appl. No.: 71,181**

[22] **Filed: Aug. 31, 1979**

[51] **Int. Cl. .... D15-09**

[52] **U.S. Cl. .... D15/134**

[58] **Field of Search ..... D15/122, 127, 133, 134,  
D15/138, 139, 141; 83/788, 792, 794-798, 801,  
813-820**

[56]

**References Cited**

**U.S. PATENT DOCUMENTS**

D. 152,226 12/1948 Stevens ..... D15/133  
D. 173,891 1/1955 Beale et al. .... D15/133  
3,521,682 9/1967 Schnizler, Jr. .... 83/816  
3,587,378 6/1971 Oppenheim ..... 83/801

*Primary Examiner—Peter M. Caun*

*Attorney, Agent, or Firm—Biebel, French & Nauman*

[57]

**CLAIM**

The ornamental design for a housing for a bench top band saw, substantially as shown and described.

**DESCRIPTION**

FIG. 1 is a perspective view of the housing for a bench top band saw of my design showing the top, front and one side thereof;

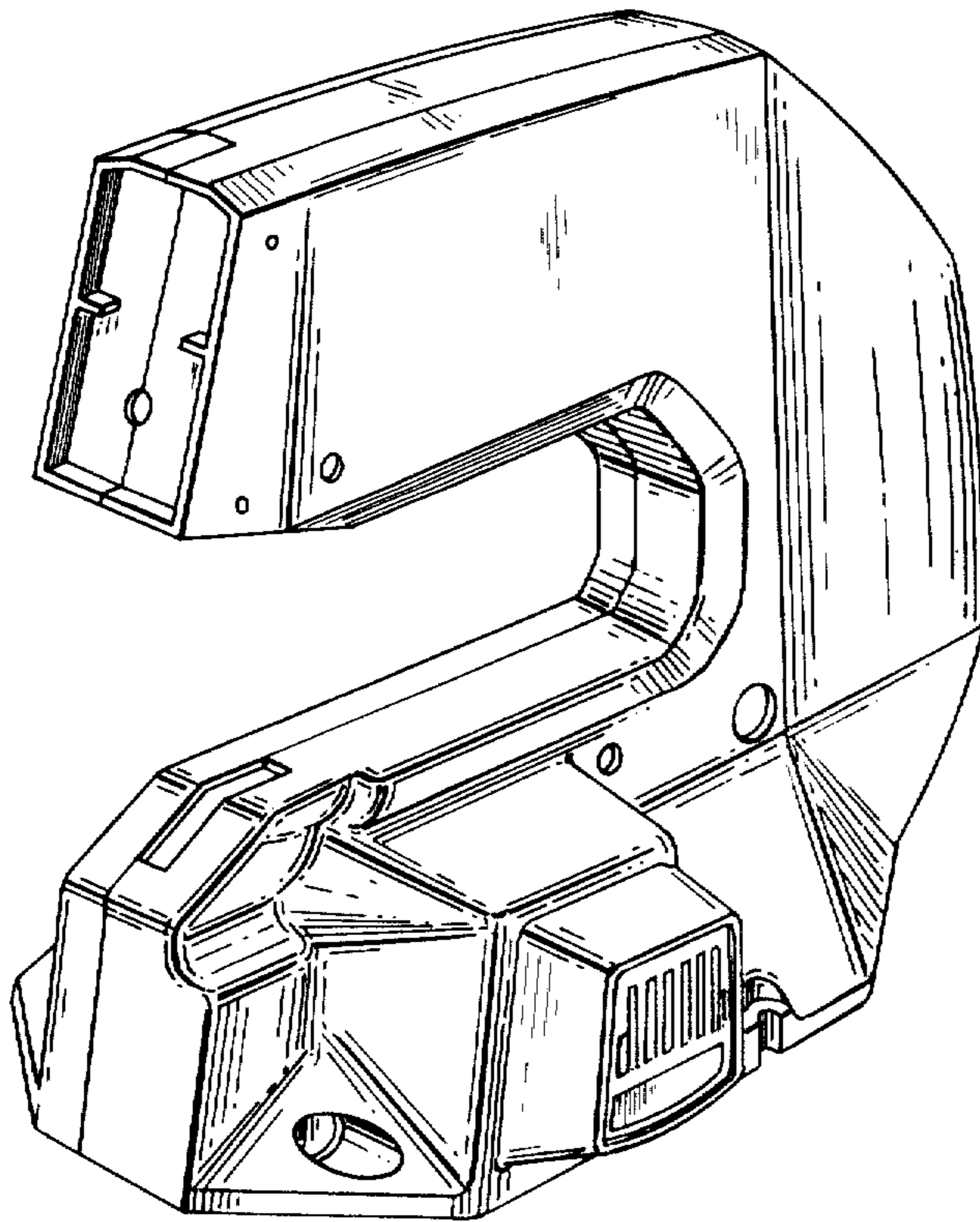
FIG. 2 is a side elevation view thereof;

FIG. 3 is a front elevation view thereof;

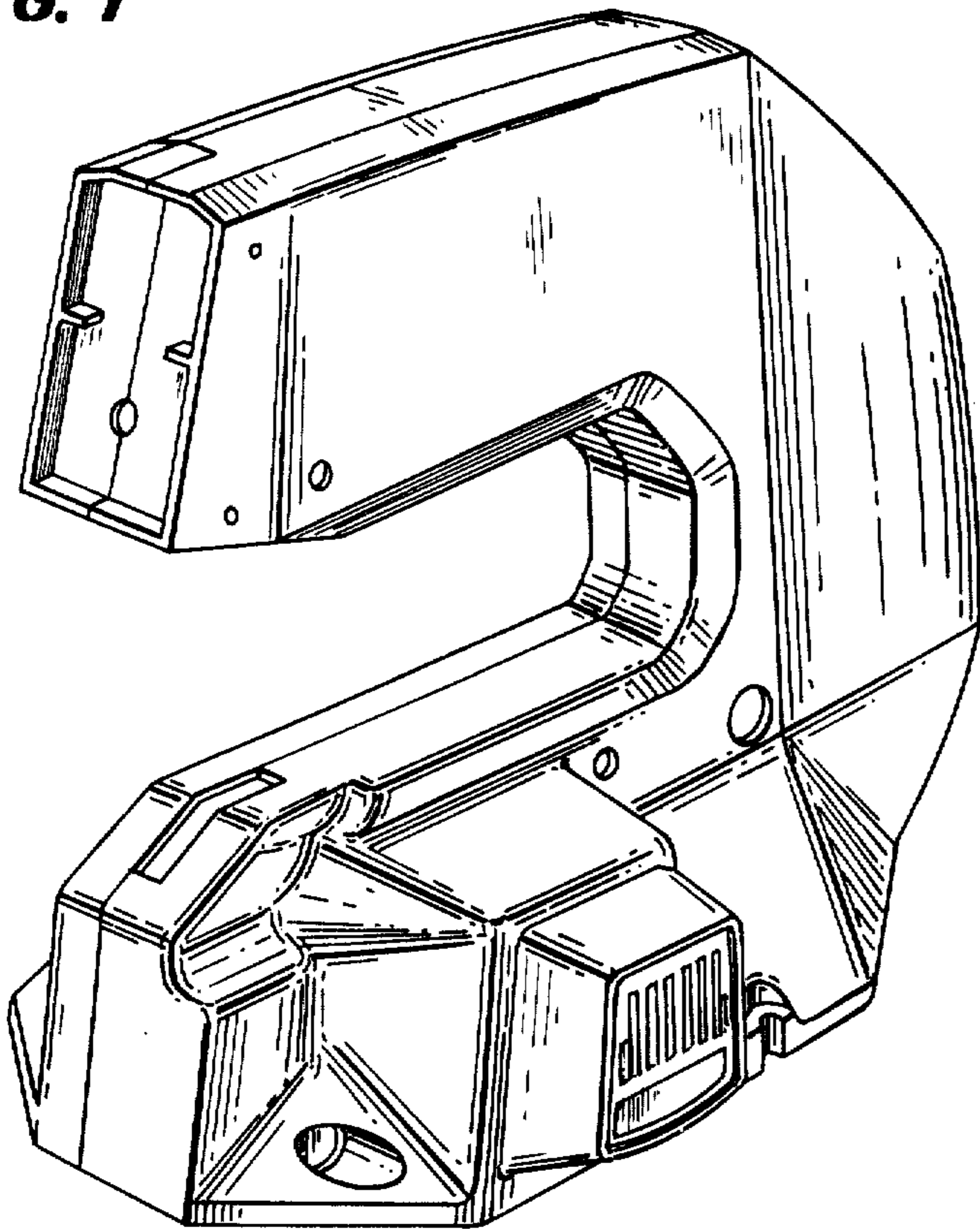
FIG. 4 is a rear elevation view thereof;

FIG. 5 is a top plan view thereof; and

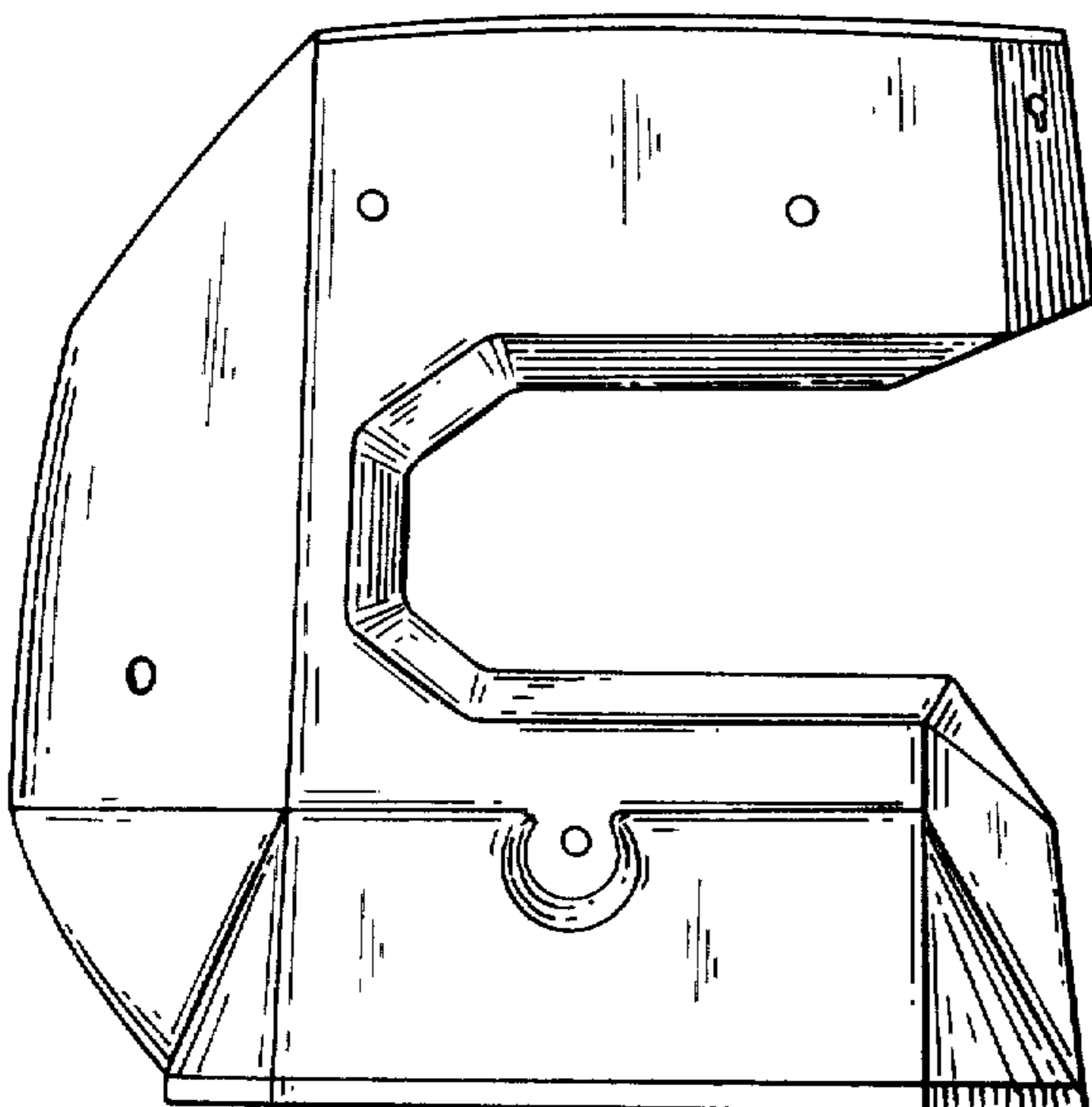
FIG. 6 is a bottom plan view thereof.



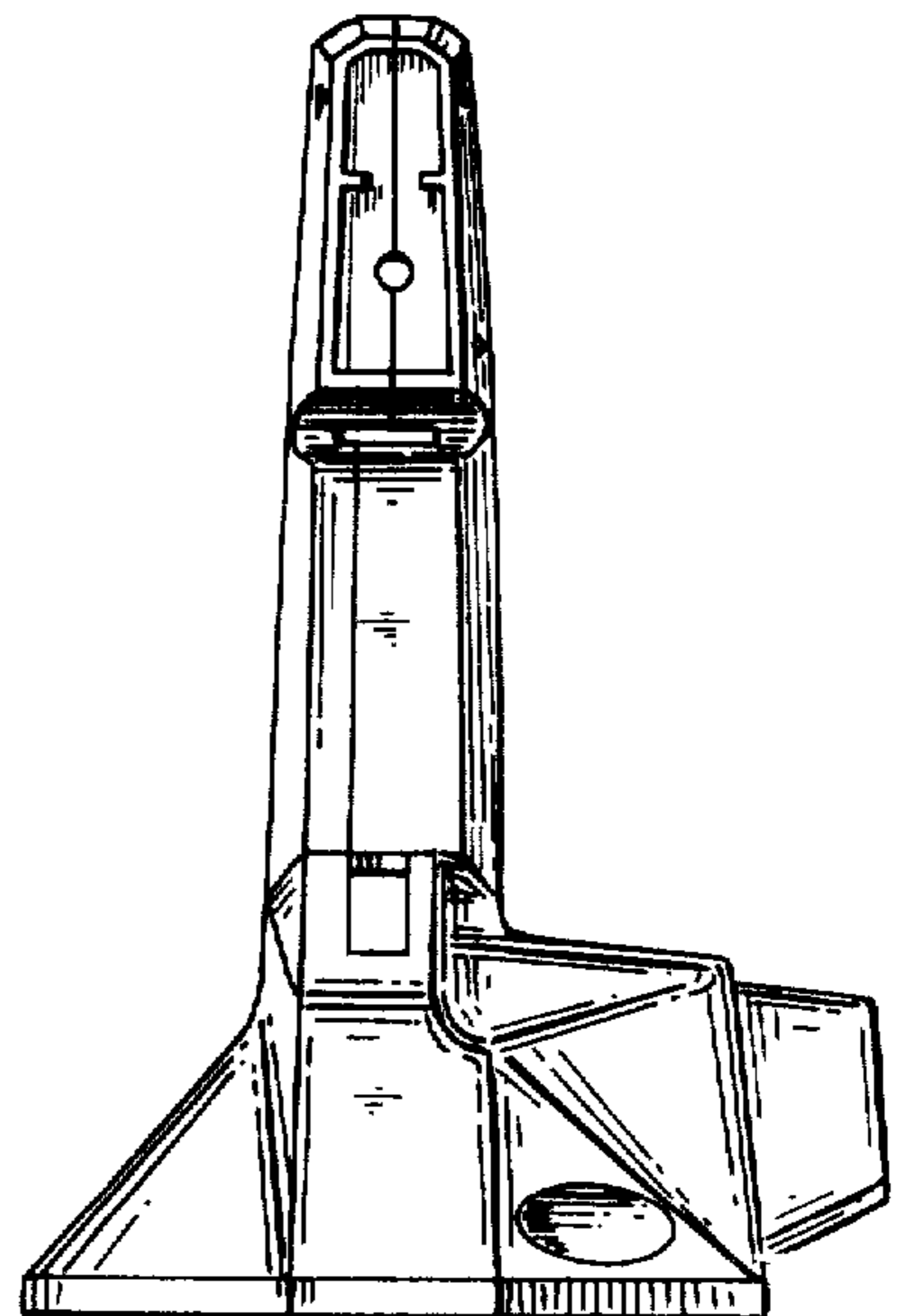
**FIG. 1**

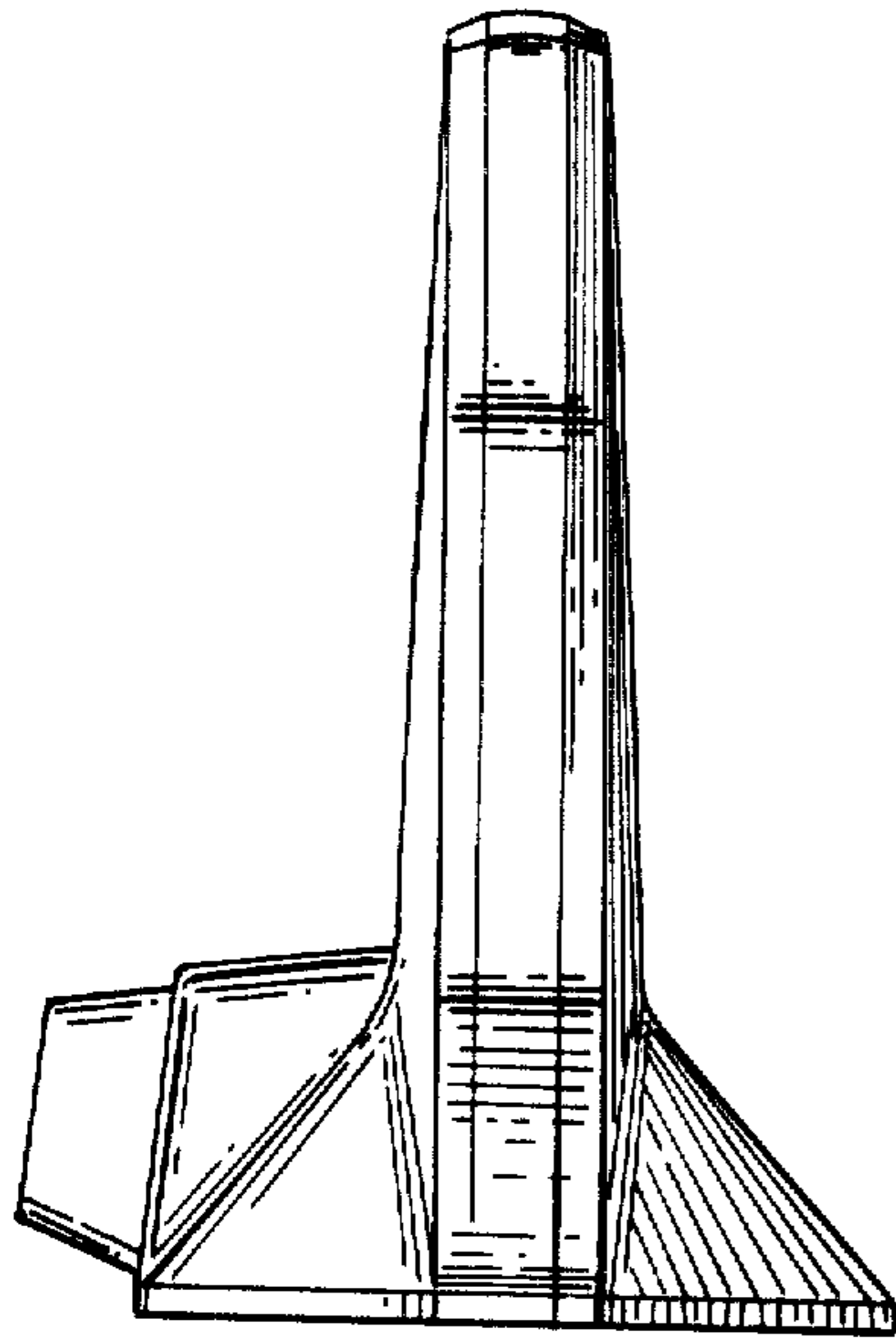


**FIG. 2**

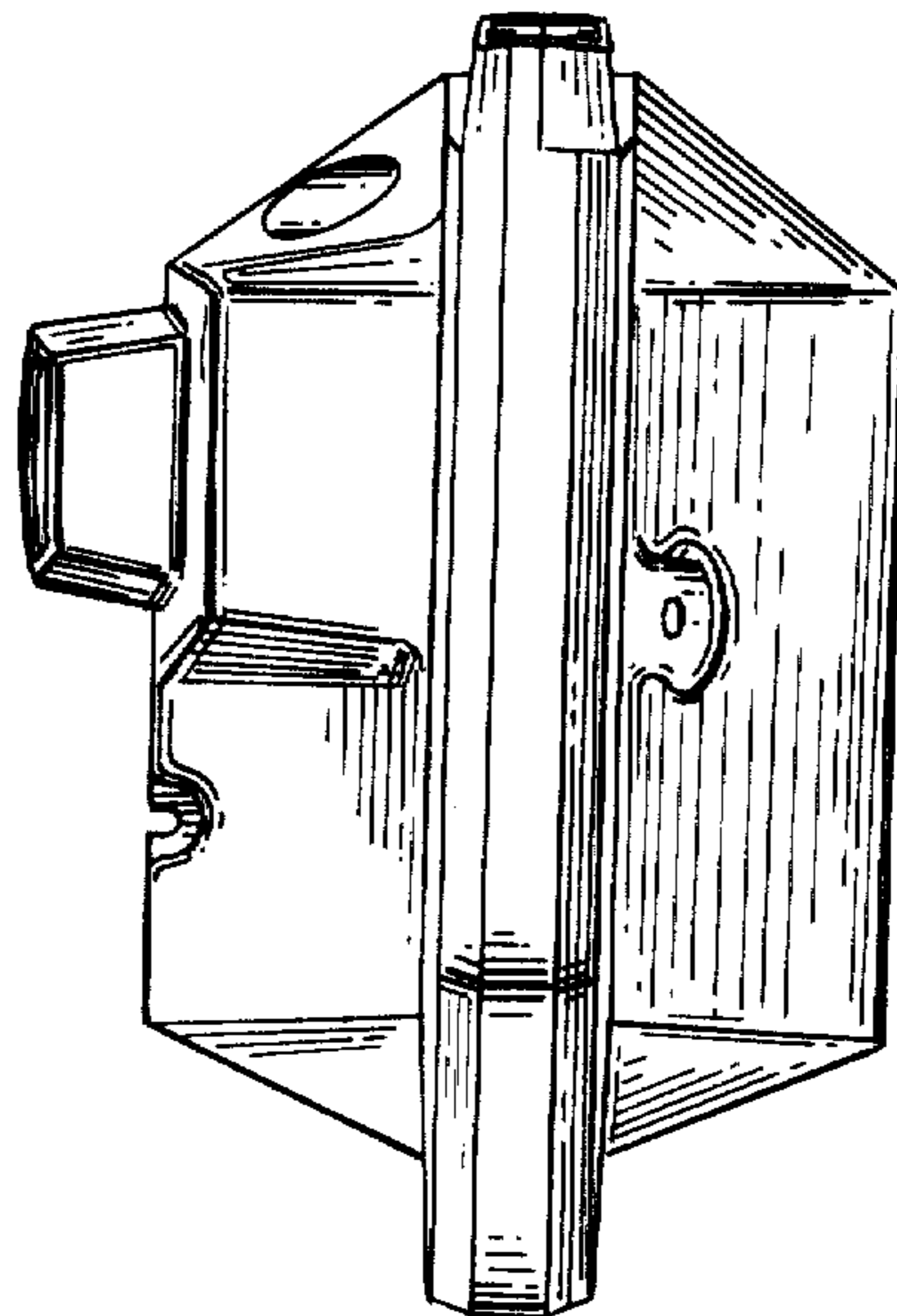


**FIG. 3**





**FIG. 4**



**FIG. 5**

**FIG. 6**

