

[54] BARRIER FREE DRINKING FOUNTAIN

[76] Inventors: Ann F. Butter; Bert Blumberg, both of 12 W. 96th St., New York, N.Y. 10025

[**] Term: 14 Years

[21] Appl. No.: 34,428

[22] Filed: Apr. 30, 1979

[51] Int. Cl. D23-01

[52] U.S. Cl. D15/118; D23/61

[58] Field of Search D23/13, 61, 70; D15/118

[56] References Cited

U.S. PATENT DOCUMENTS

- D. 45,283 2/1914 Allen D23/61
- D. 86,625 3/1932 Mueller D23/70

- D. 239,284 3/1976 Haws D15/118
- D. 252,207 6/1979 Haws et al. D15/118

Primary Examiner—Winifred E. Herrmann
Attorney, Agent, or Firm—Carella, Bain, Gilfillan & Rhodes

[57] CLAIM

The ornamental design for a barrier free drinking fountain, as shown.

DESCRIPTION

FIG. 1 is a perspective view of a barrier free drinking fountain showing our new design;
 FIG. 2 is a side elevational view of one side thereof;
 FIG. 3 is a front elevational view thereof;
 FIG. 4 is a side elevational view of the other side thereof;
 FIG. 5 is a rear elevational view thereof;
 FIG. 6 is a top plan view thereof; and
 FIG. 7 is a bottom view thereof taken from FIG. 2.

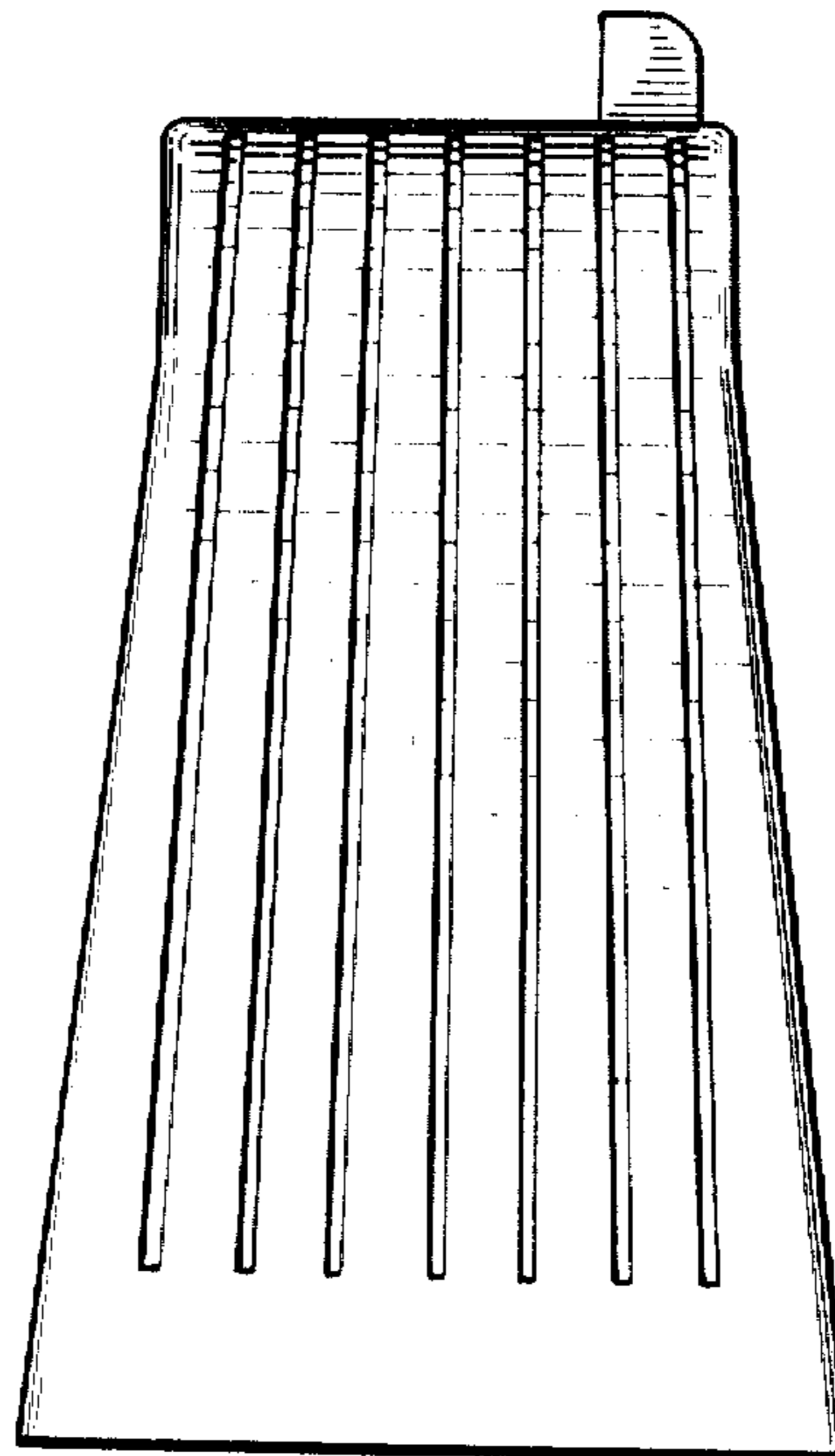
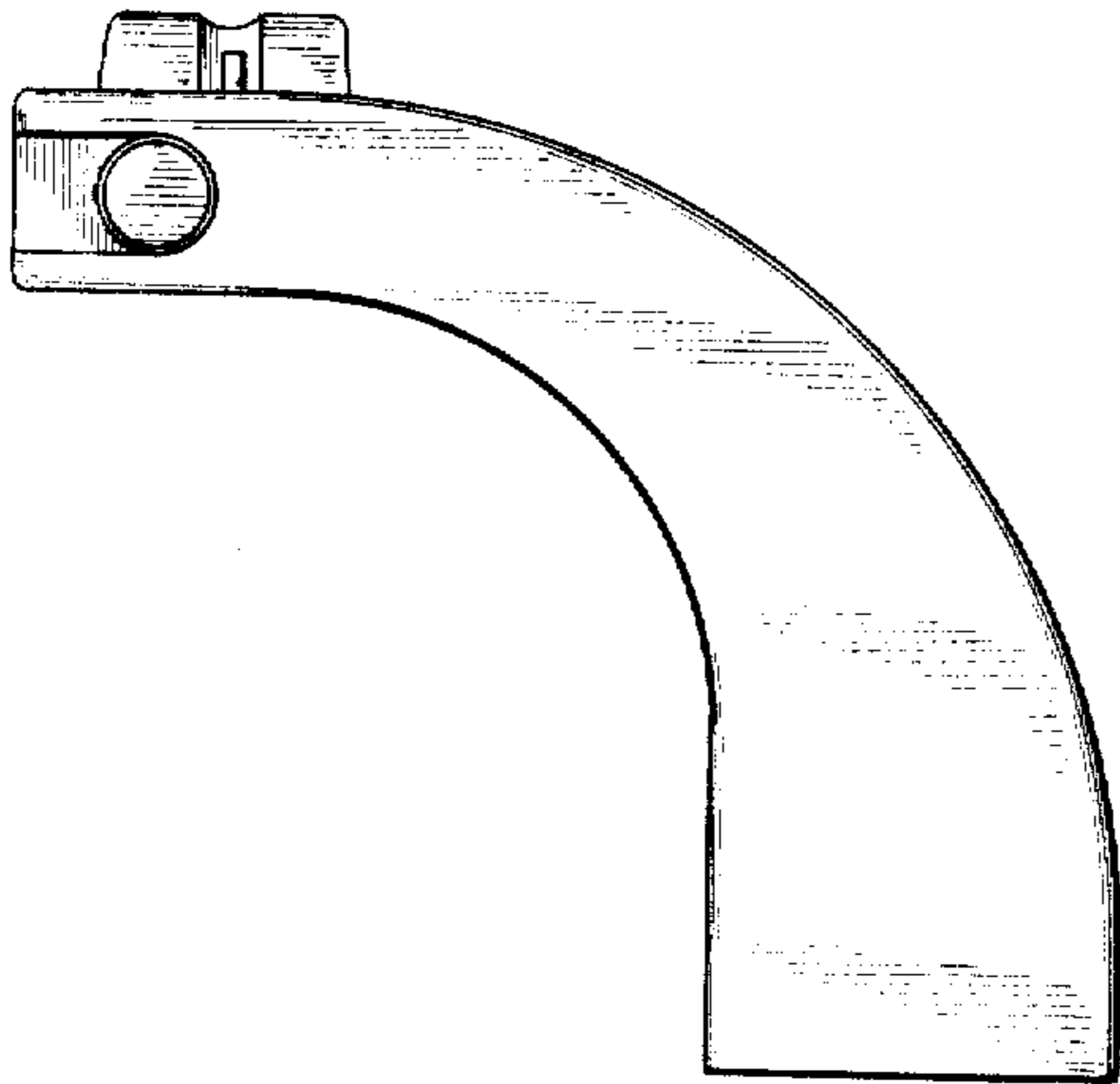
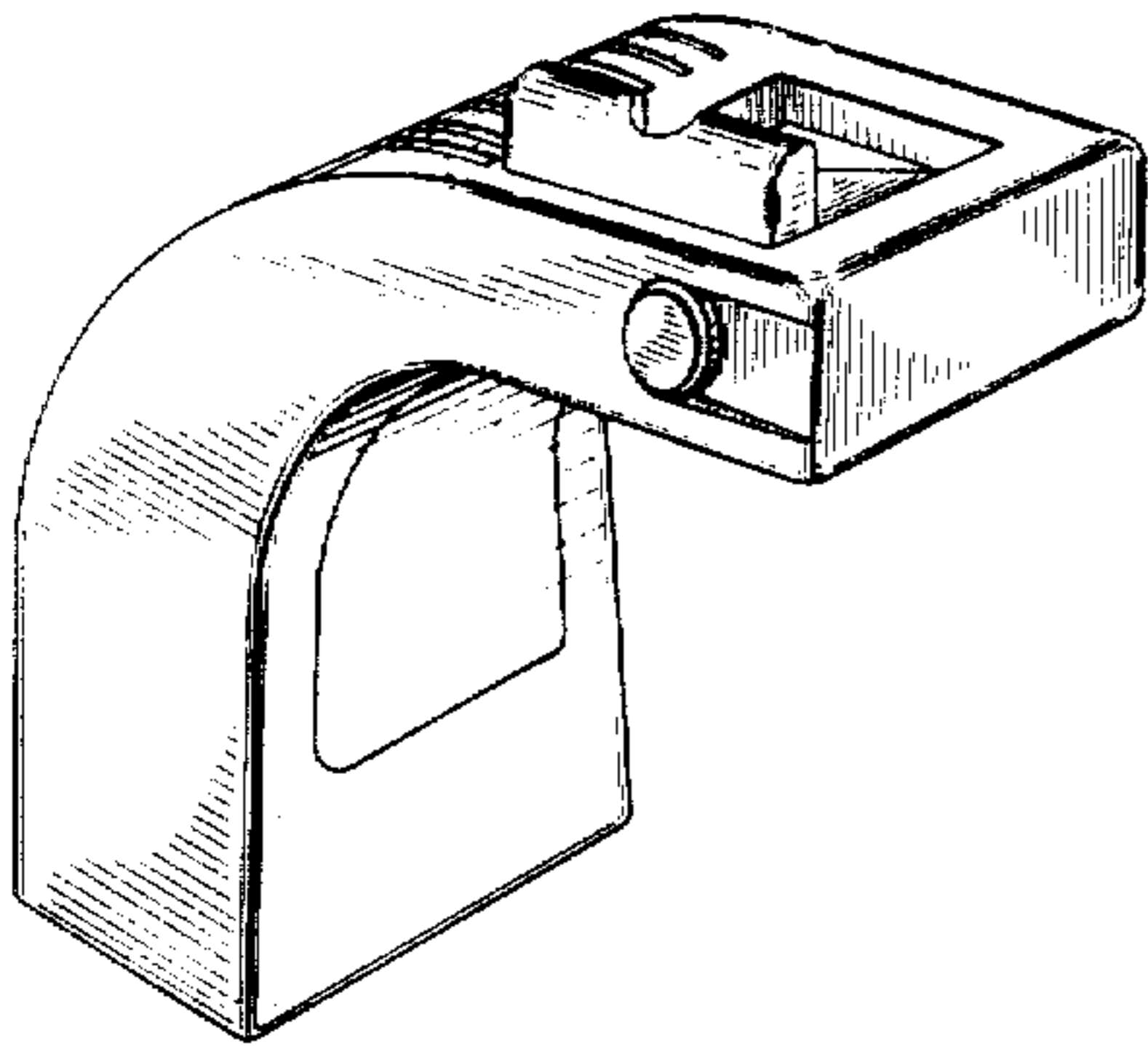


FIG. 1

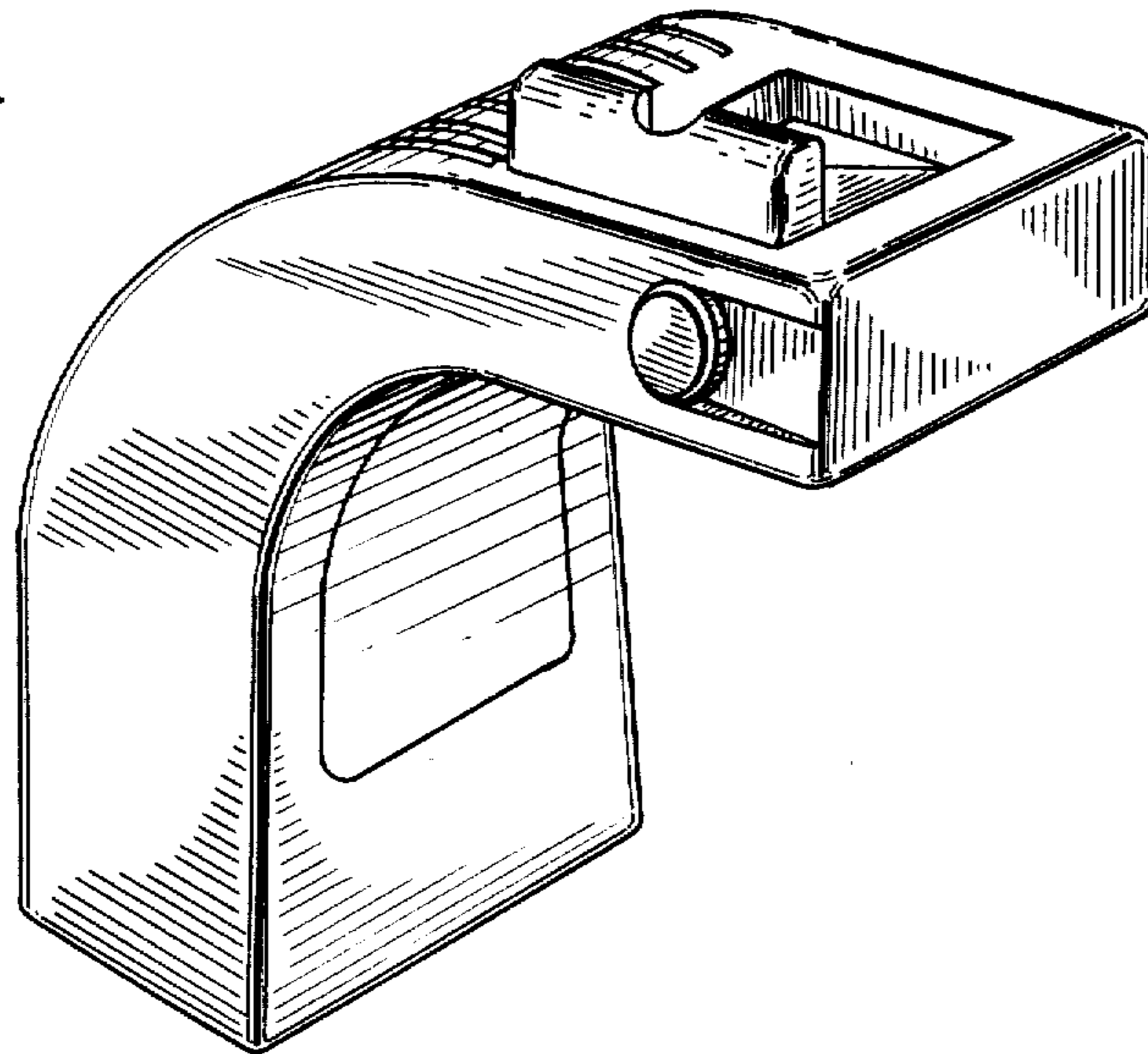


FIG. 3

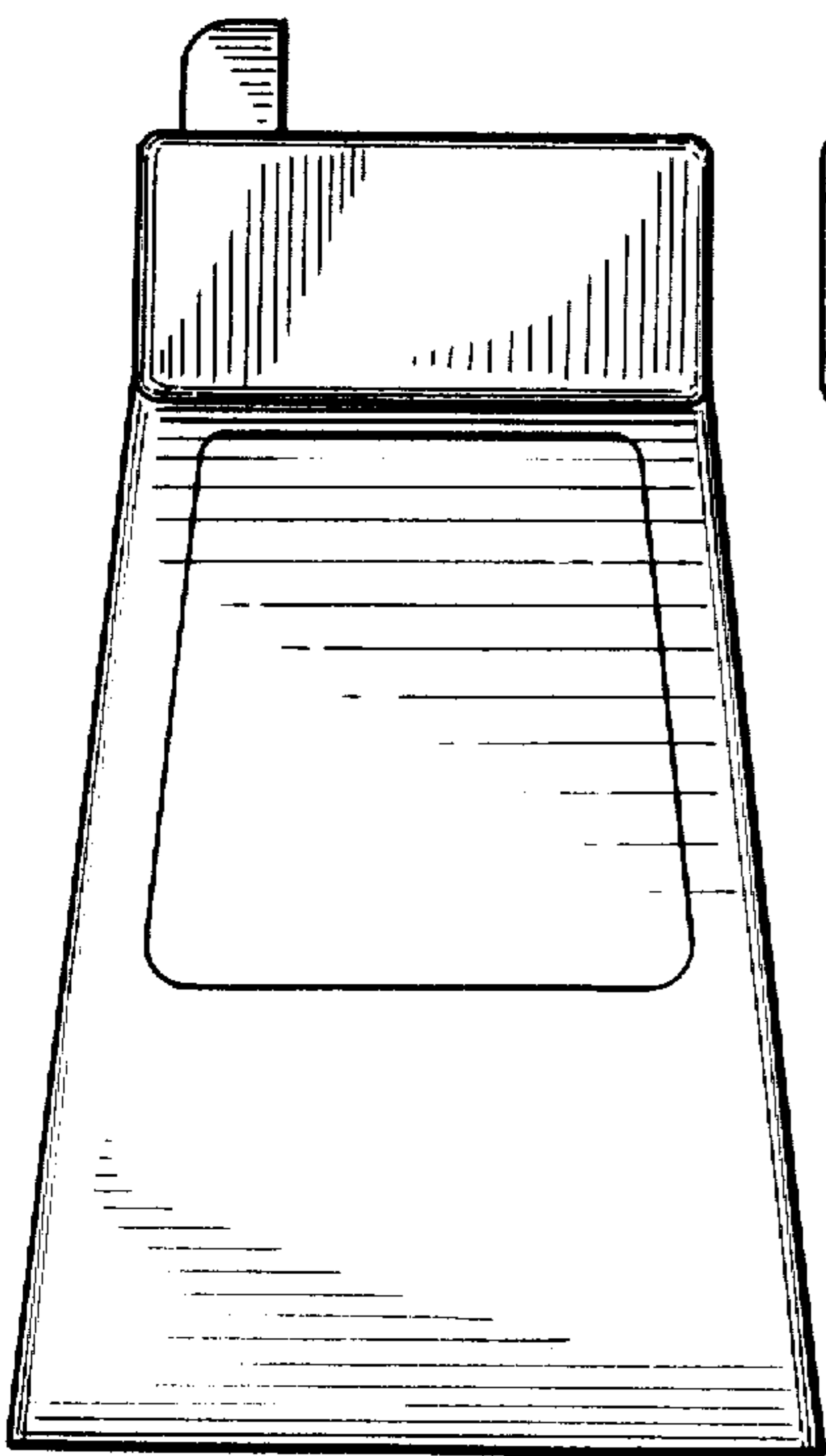


FIG. 2

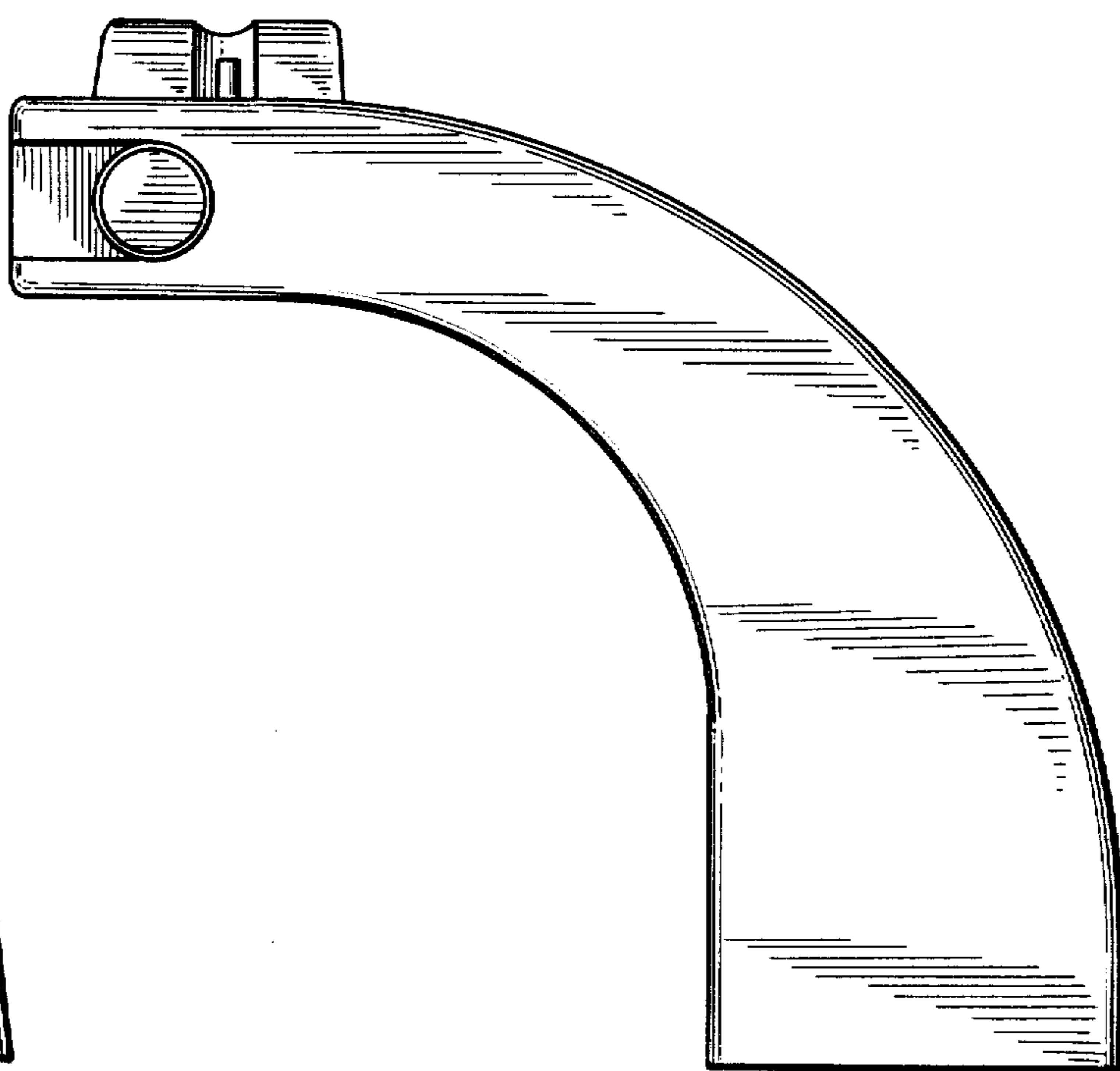


FIG. 4

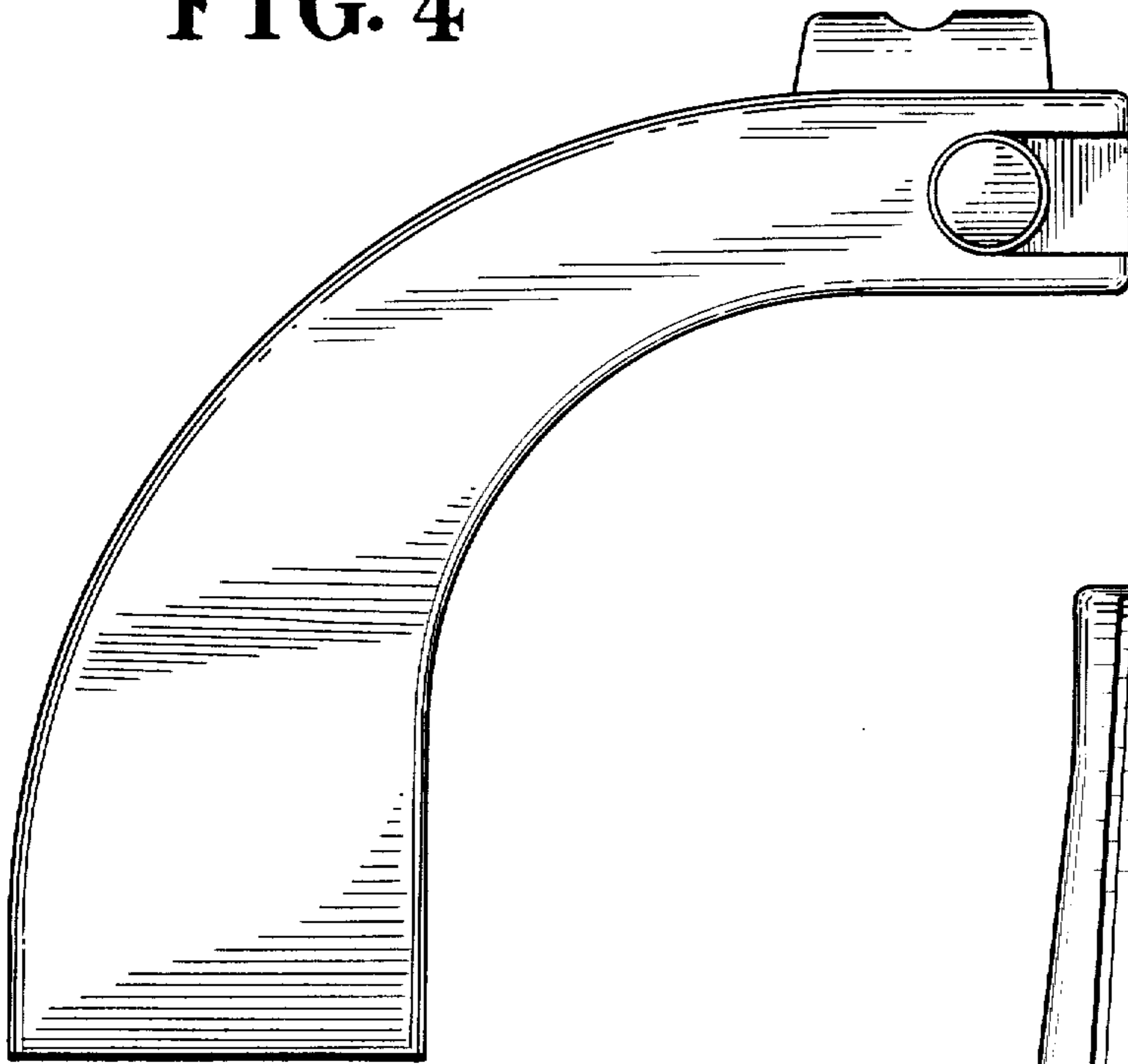


FIG. 5

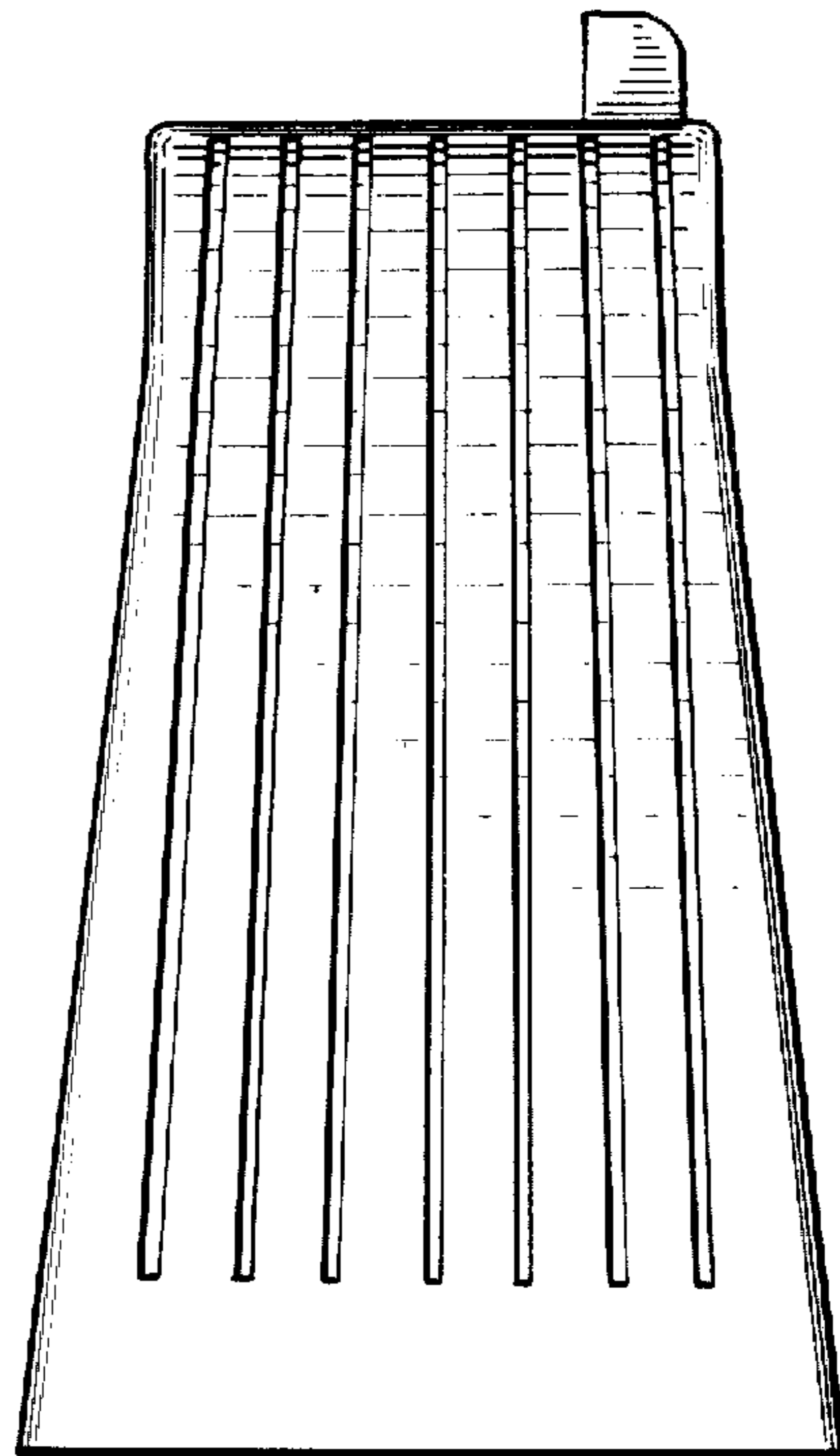


FIG. 6

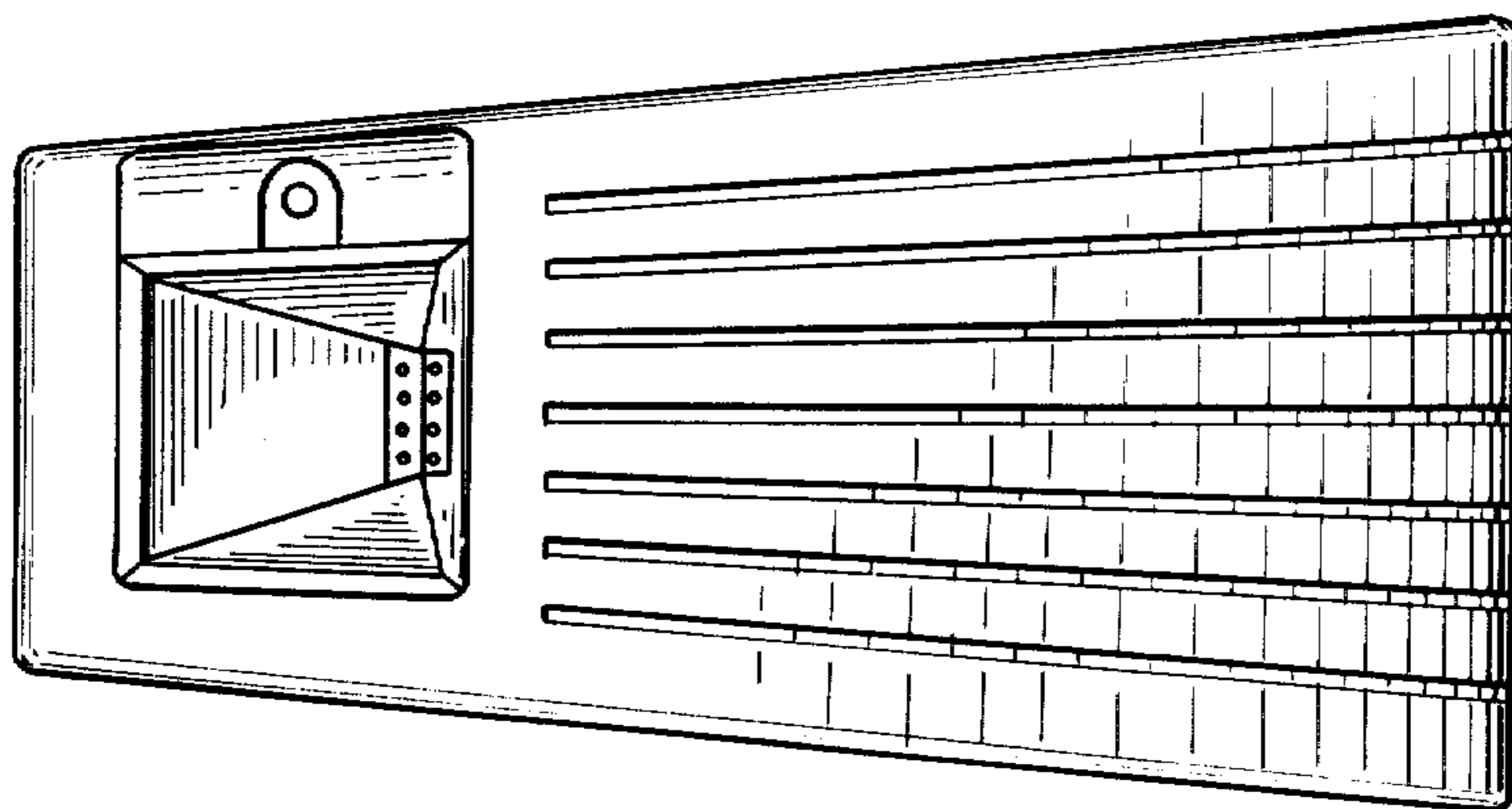


FIG. 7

