

[54] FOODSTUFF MILL

[76] Inventor: **Thomas D. Dickson, Jr.**, 1099 Del Cambre, San Jose, Calif. 95129

[**] Term: **14 Years**

[21] Appl. No.: **28,208**

[22] Filed: **Apr. 9, 1979**

[51] Int. Cl. **D15-08**

[52] U.S. Cl. **D15/98; D7/155**

[58] Field of Search D7/153, 155, 156, 157, D7/158, 159, 160; D15/92, 95, 98, 100, 101; 241/259.1, 248, 244, 15

[56] **References Cited**

U.S. PATENT DOCUMENTS

D. 240,004 5/1976 Toyota D7/156

D. 248,159	6/1978	Maejima	D7/155 X
2,548,022	4/1951	Hirsch	D15/100 X
4,022,388	5/1977	Schnitzer	241/259.1
4,037,797	7/1977	Stevens	241/248 X

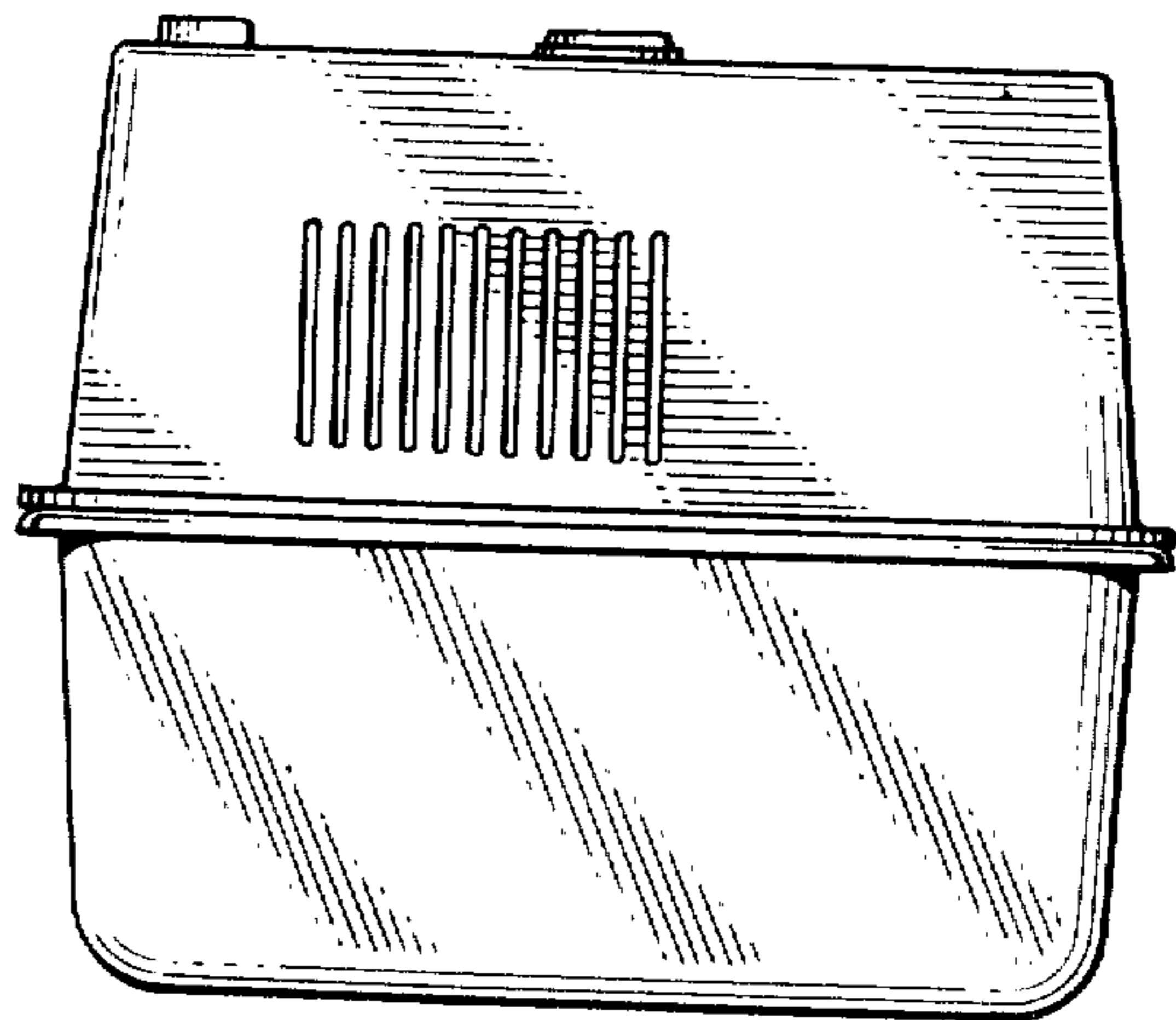
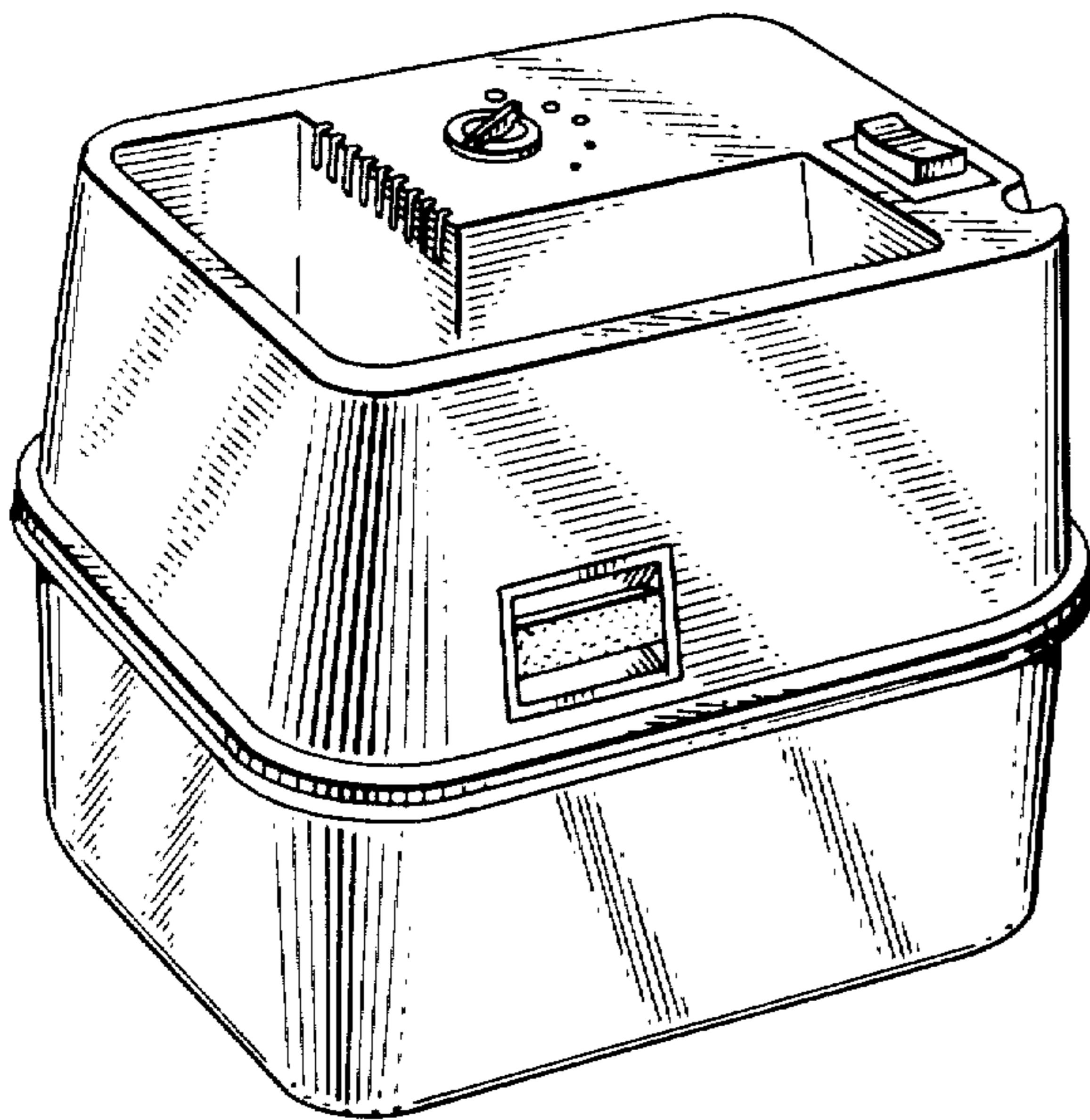
Primary Examiner—Winifred E. Herrmann
Attorney, Agent, or Firm—Thomas E. Ciotti

[57] **CLAIM**

The ornamental design for a foodstuff mill, as shown.

DESCRIPTION

FIG. 1 is a top front perspective view of a foodstuff mill showing my new design;
FIG. 2 is a top plan view thereof;
FIG. 3 is a front elevational view thereof;
FIG. 4 is a bottom plan view thereof;
FIG. 5 is a right side elevational view thereof;
FIG. 6 is a rear elevational view thereof; and
FIG. 7 is a left side elevational view thereof.



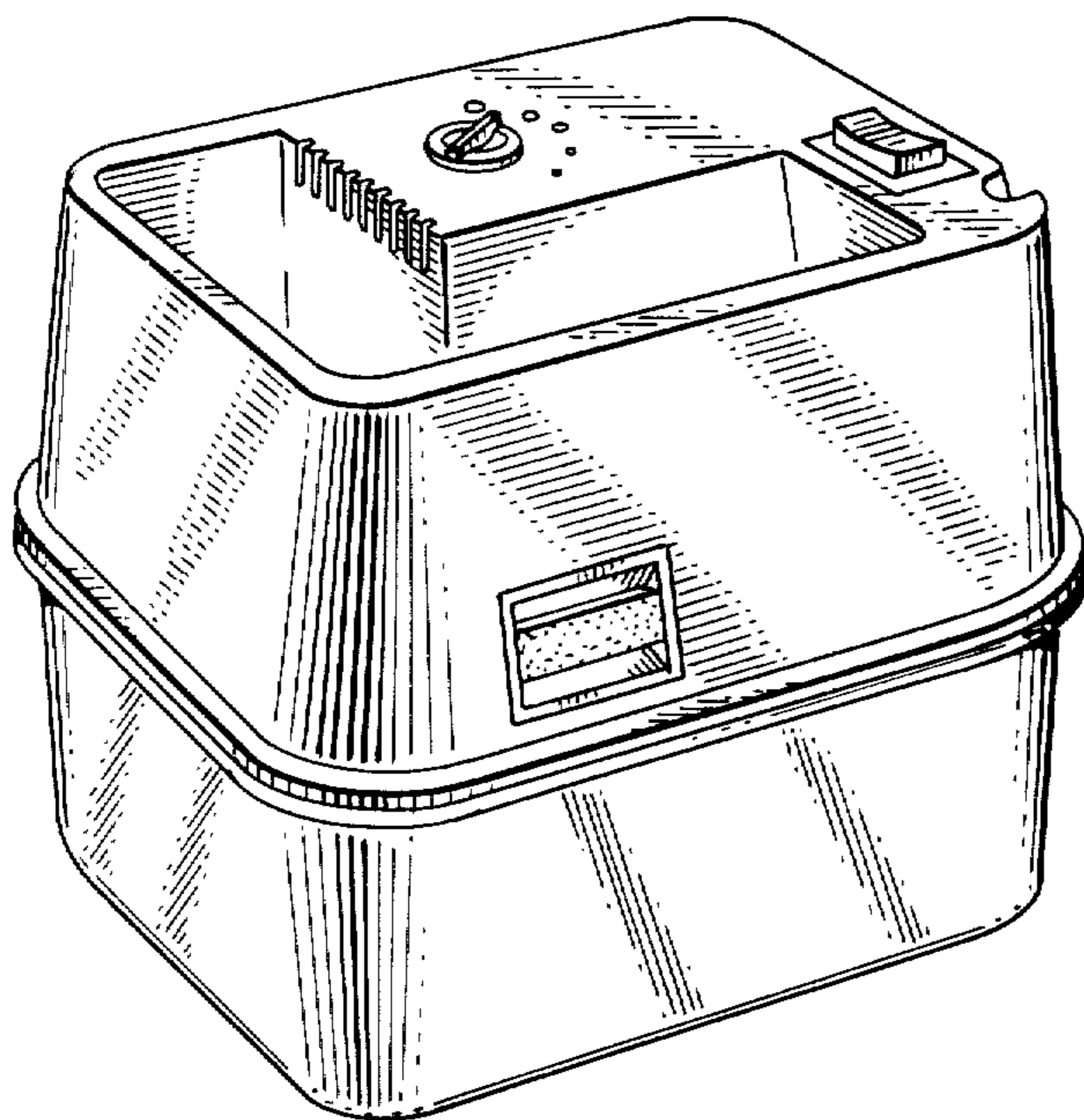


FIG. 1

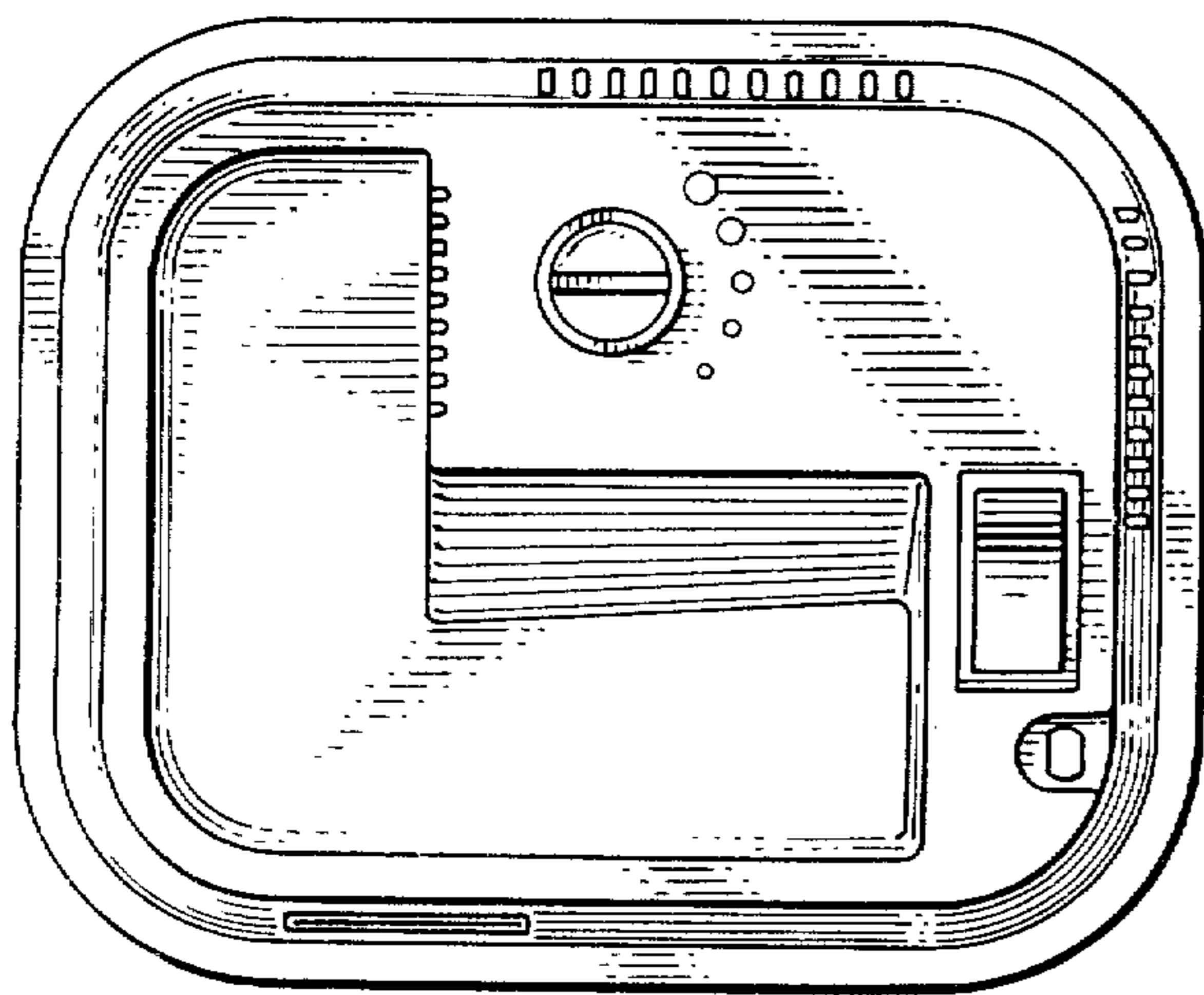


FIG. 2

FIG. 3

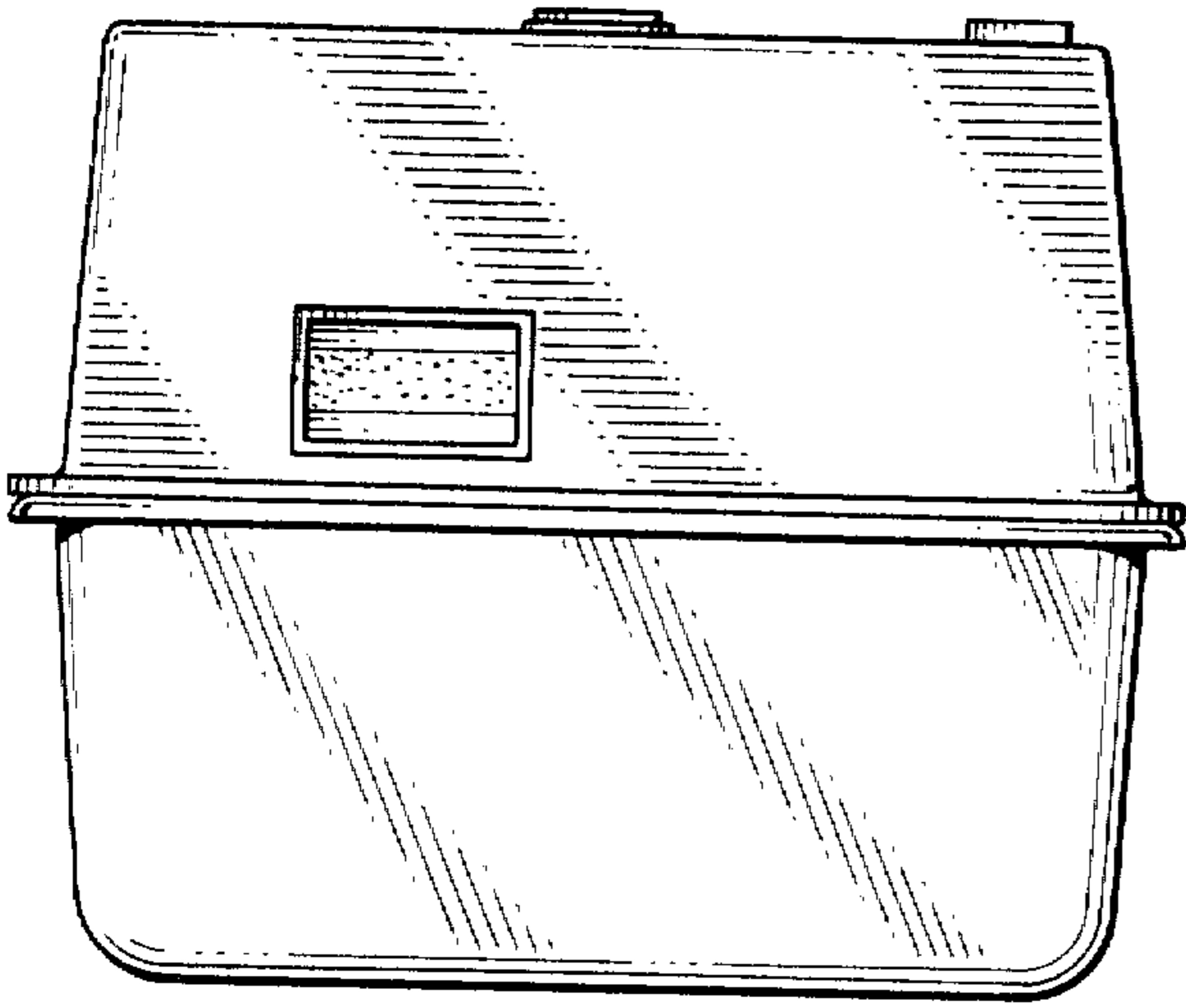


FIG. 5

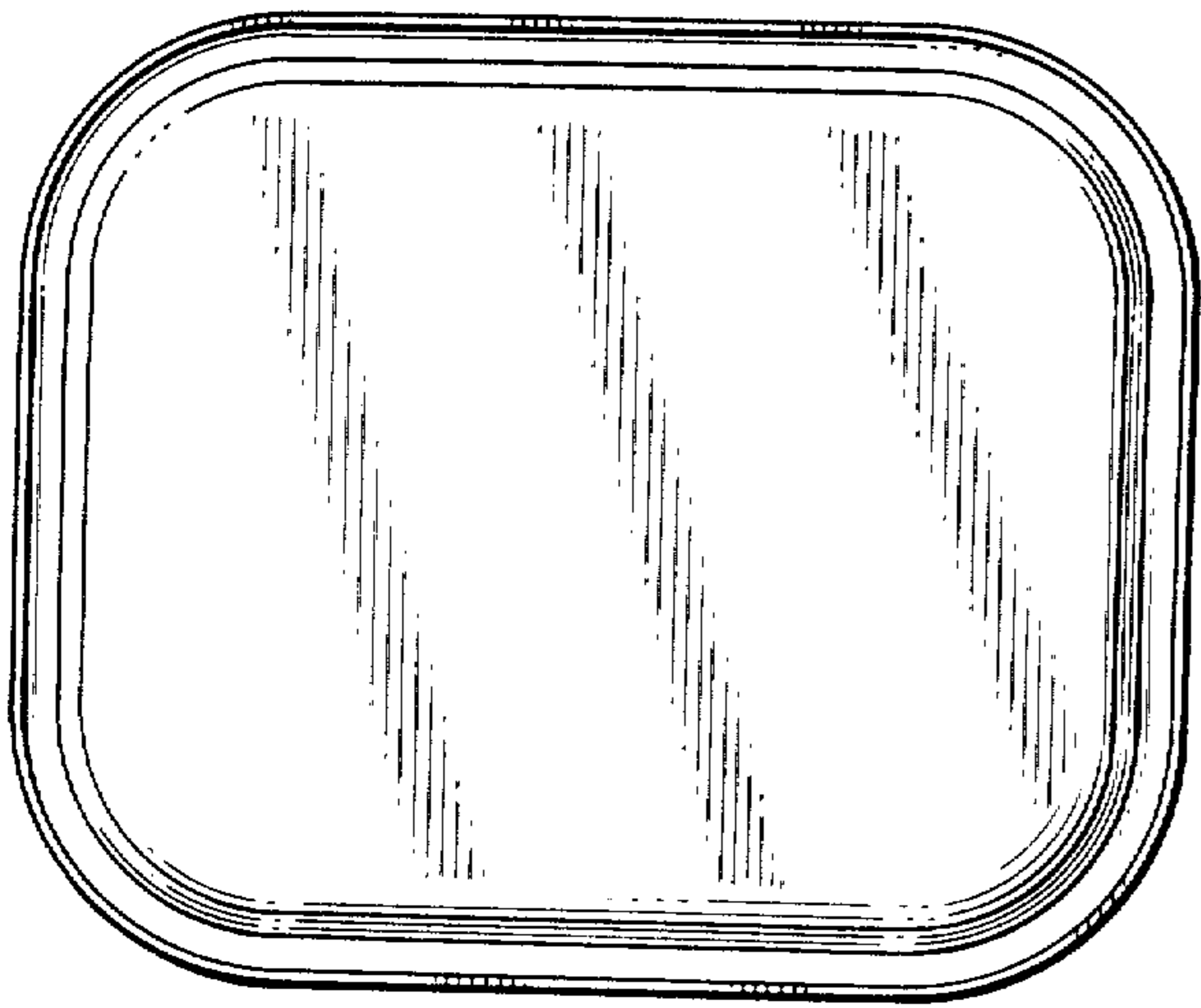
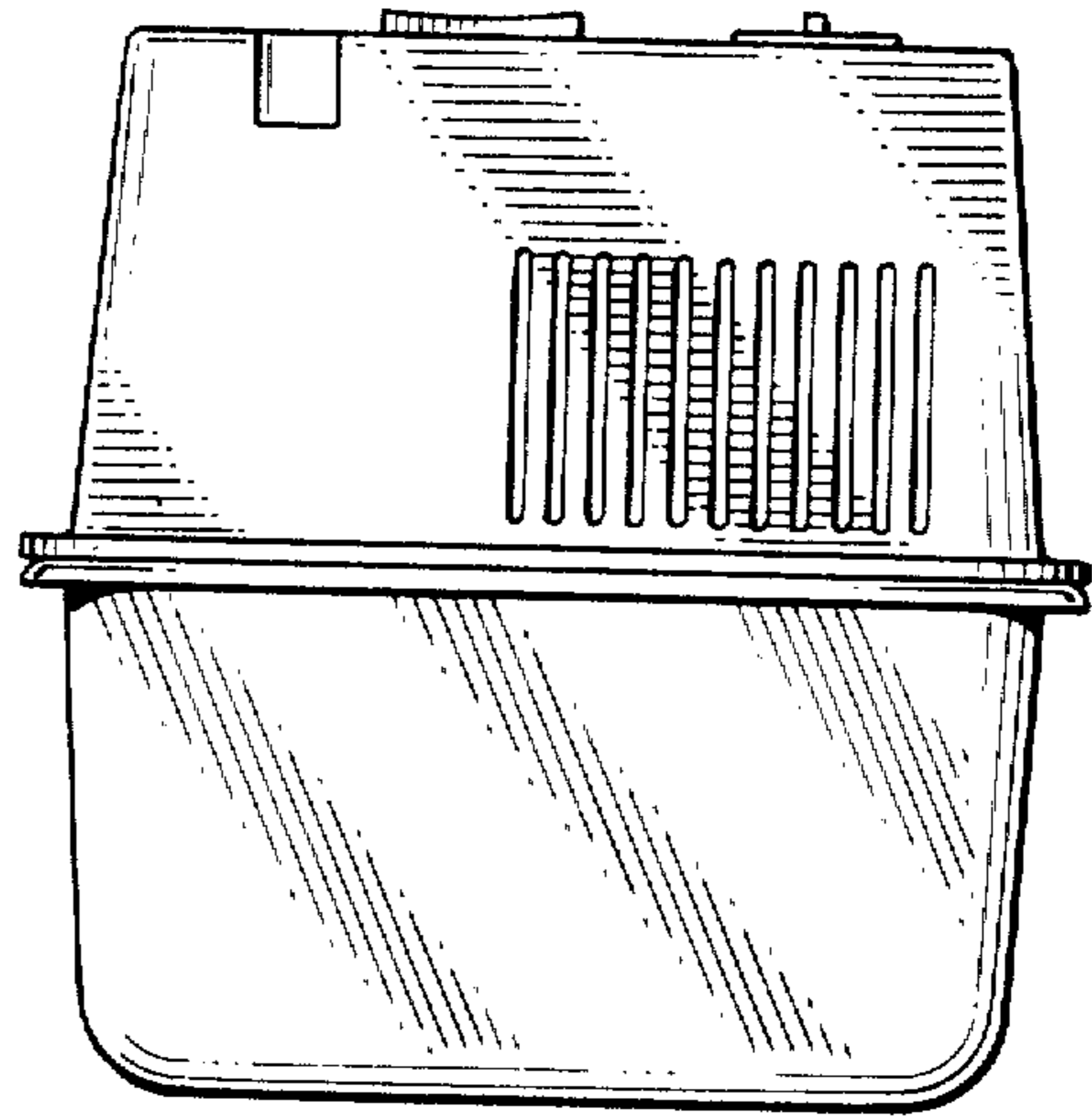


FIG. 4

FIG. 6

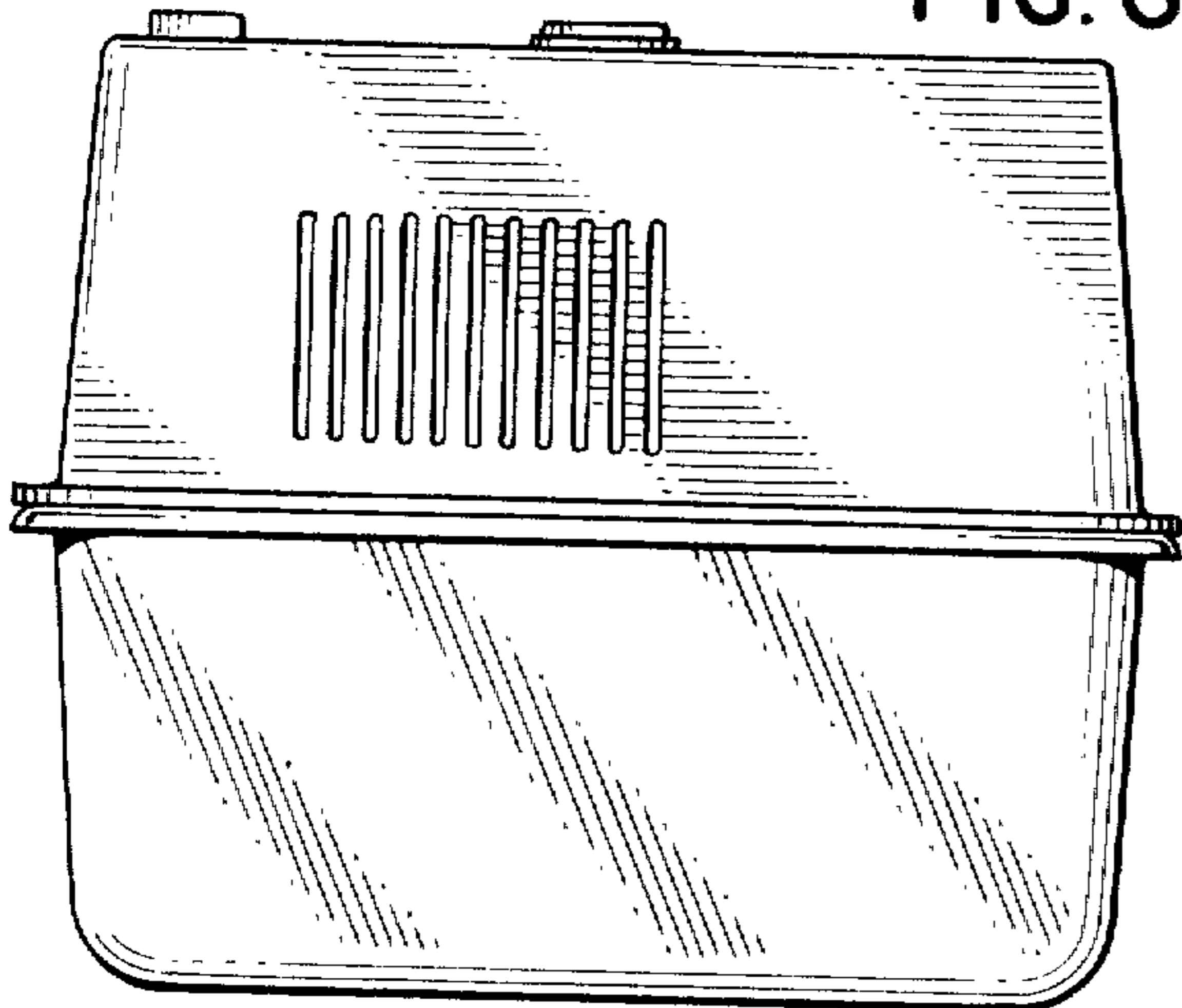


FIG. 7

