

[54] MACHINE FOR DISPENSING AND INSERTING STICKS IN COMESTIBLES

[75] Inventors: Edward D. Cottrell; Michael B. Robbins, both of Cattaraugus, N.Y.

[73] Assignee: Champion International Corporation, Stamford, Conn.

[**] Term: 14 Years

[21] Appl. No.: 42,002

[22] Filed: May 24, 1979

[51] Int. Cl. D07-04; D15-08

[52] U.S. Cl. D15/92; D7/75

[58] Field of Search D15/92, 121; 426/134, 426/421; 227/141, 120; D7/75, 106

[56] References Cited

U.S. PATENT DOCUMENTS

- D. 116,625 9/1939 Parsons D15/121
- 2,173,850 9/1939 Lockwood 426/421
- 4,062,108 12/1977 Cottrell 227/120 X

Primary Examiner—Winifred E. Herrmann
Attorney, Agent, or Firm—Evelyn M. Sommer

[57] CLAIM

The ornamental design for a machine for dispensing and inserting sticks in comestibles, as shown.

DESCRIPTION

FIG. 1 is a top front perspective view of a machine for dispensing and inserting sticks in comestibles showing our new design;

FIG. 2 is a top plan view thereof;

FIG. 3 is a front elevational view thereof;

FIG. 4 is a side elevational view thereof as seen from the right of FIG. 1;

FIG. 5 is a rear elevational view thereof; and

FIG. 6 is a side elevational view thereof as seen from the left of FIG. 1.

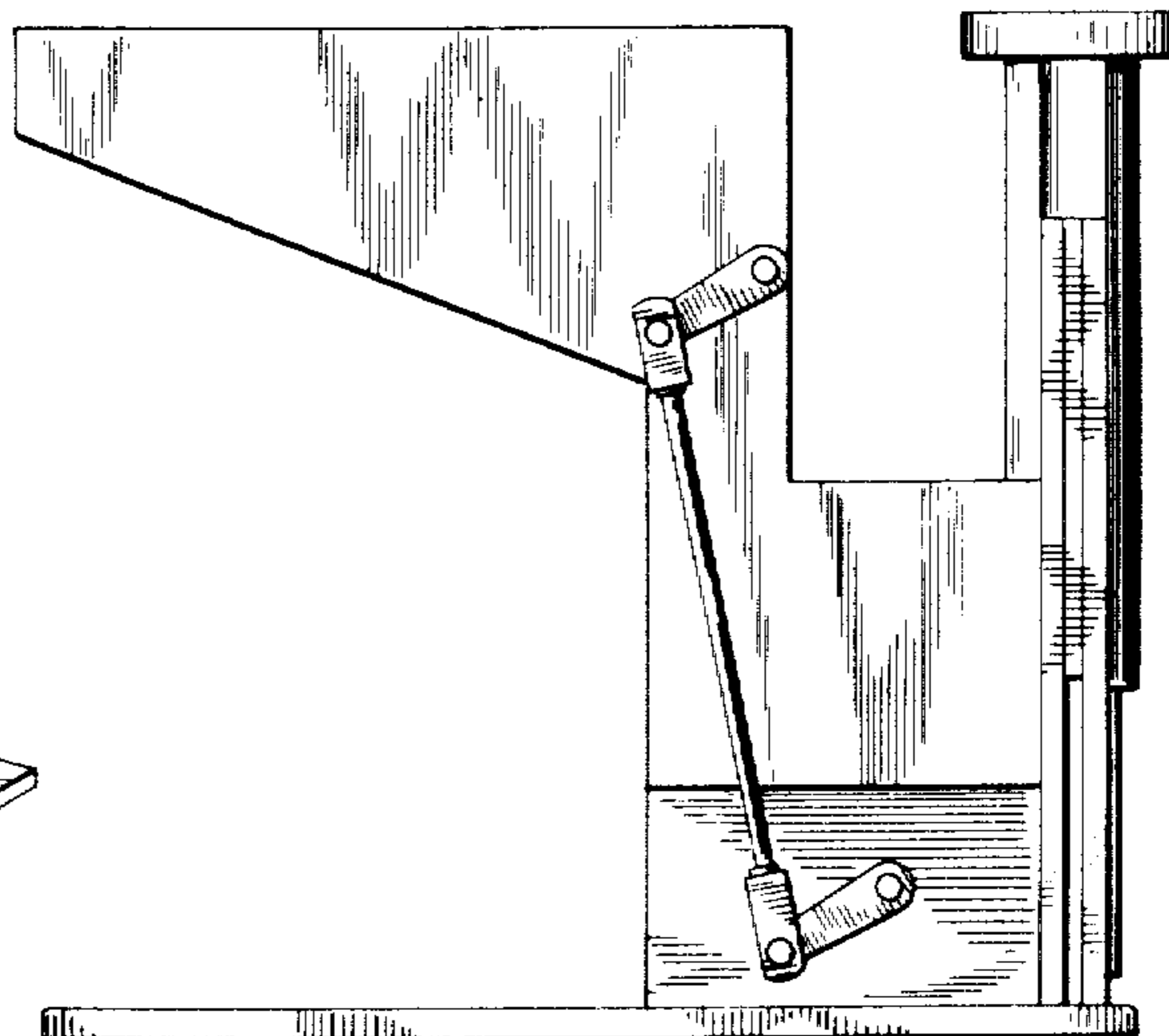
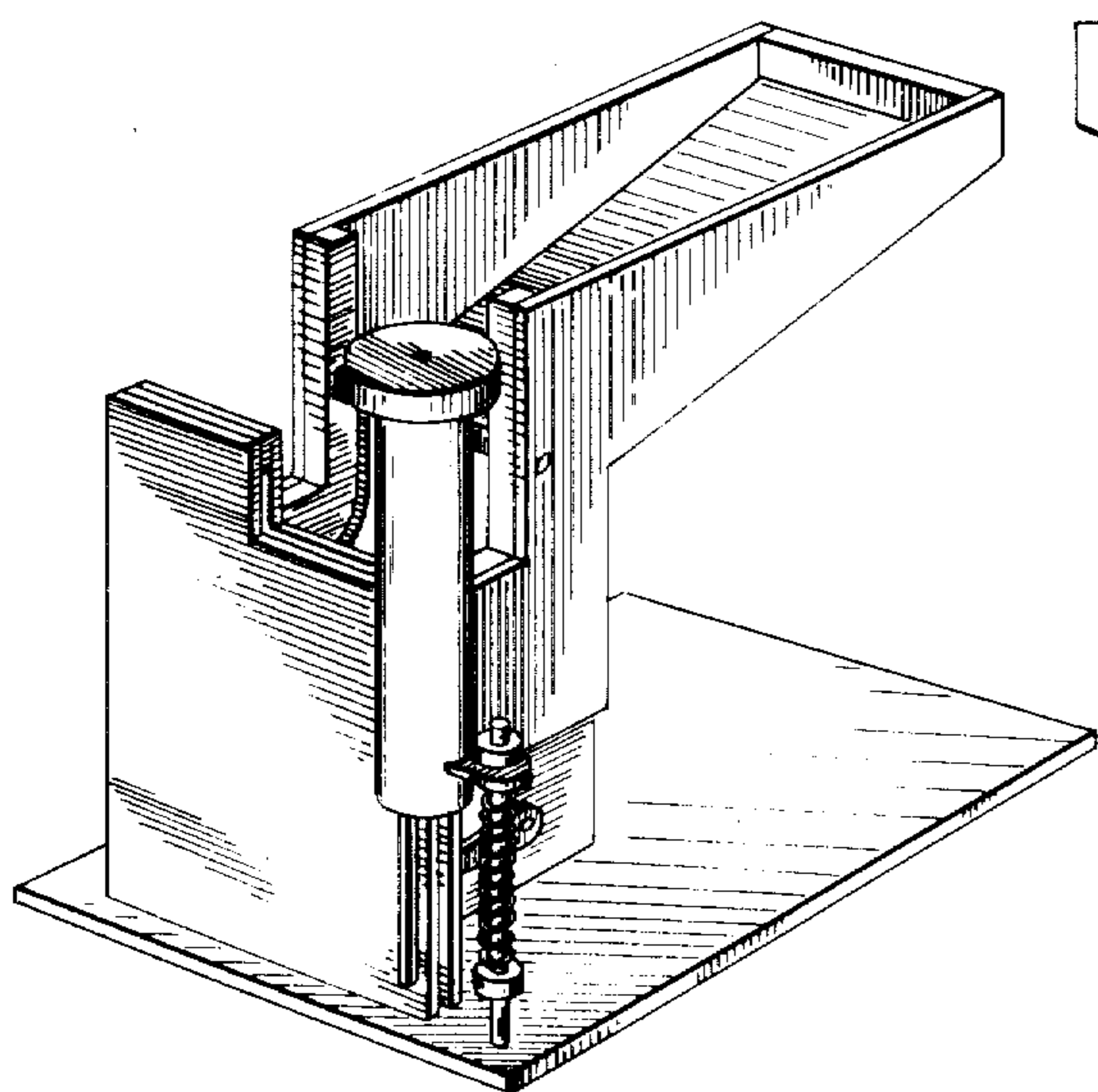


Fig. 1.

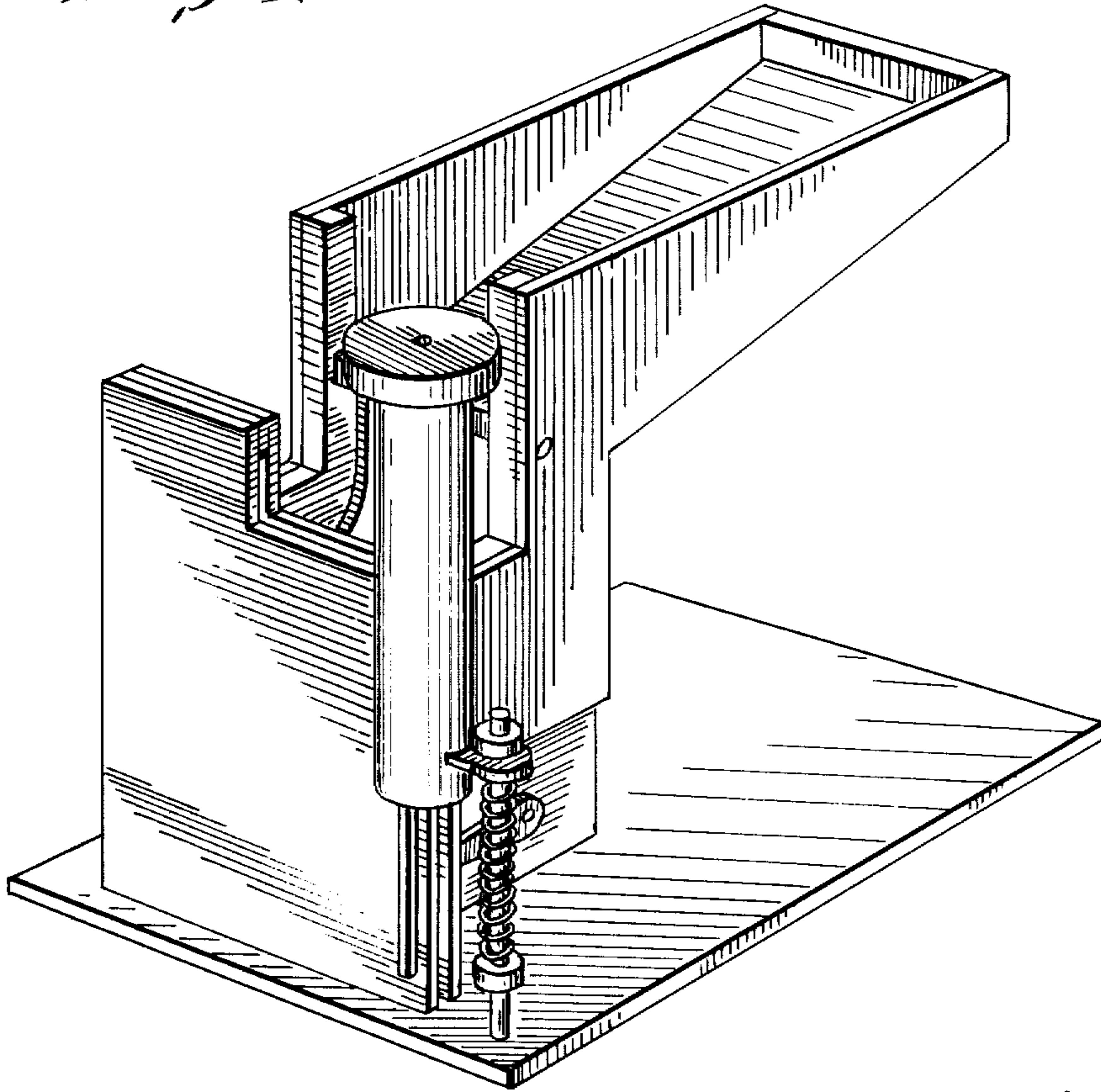


Fig. 2.

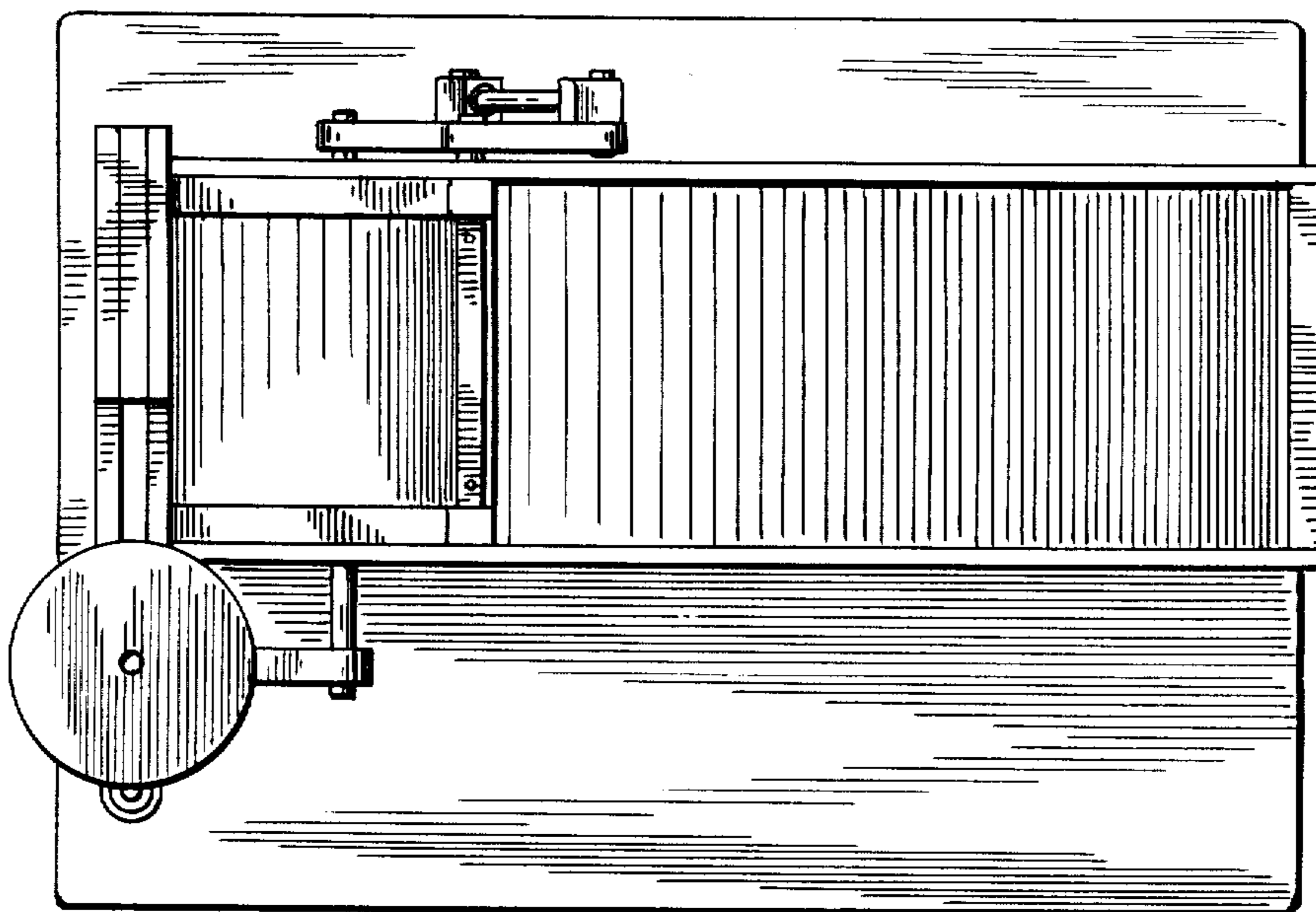


Fig. 4.

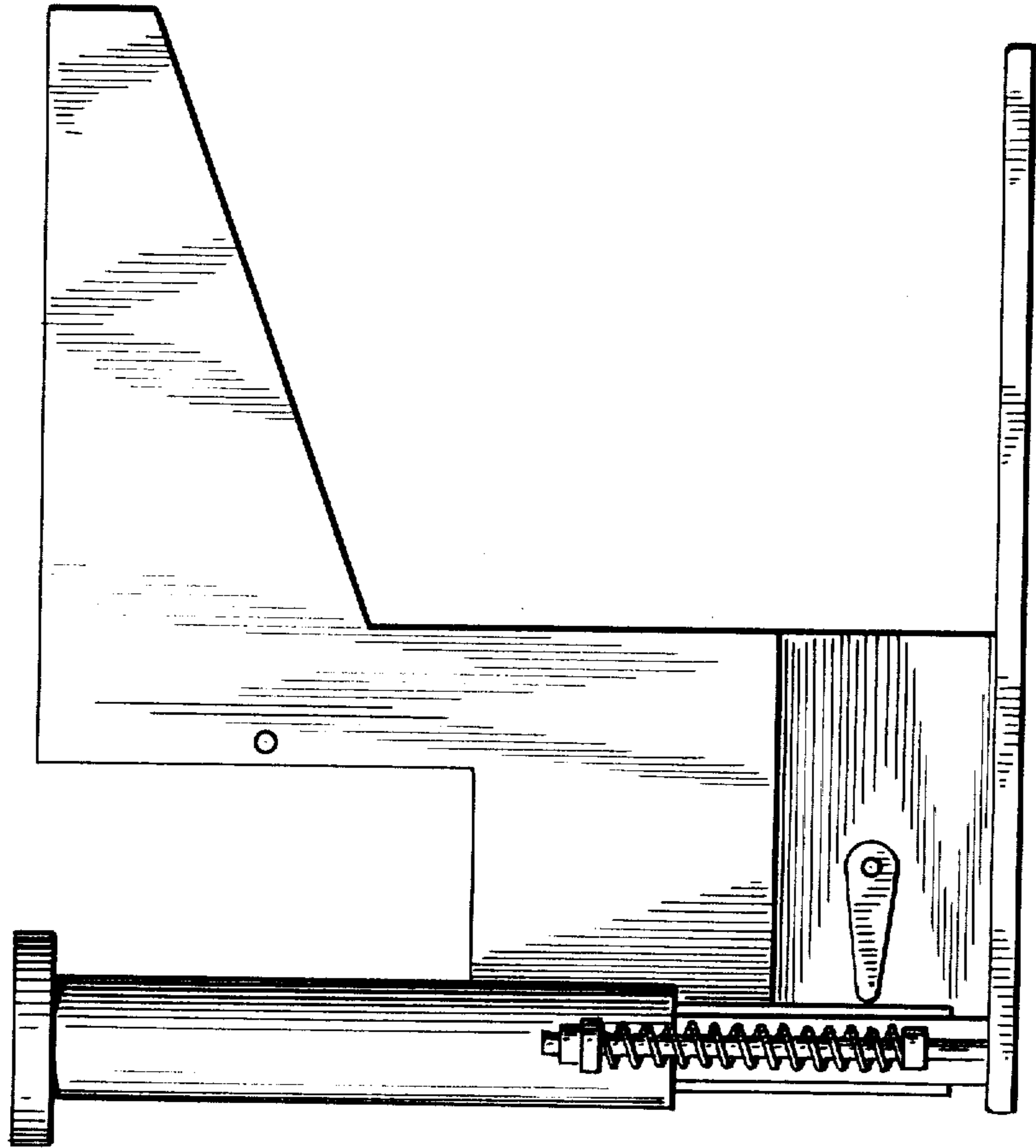


Fig. 3.

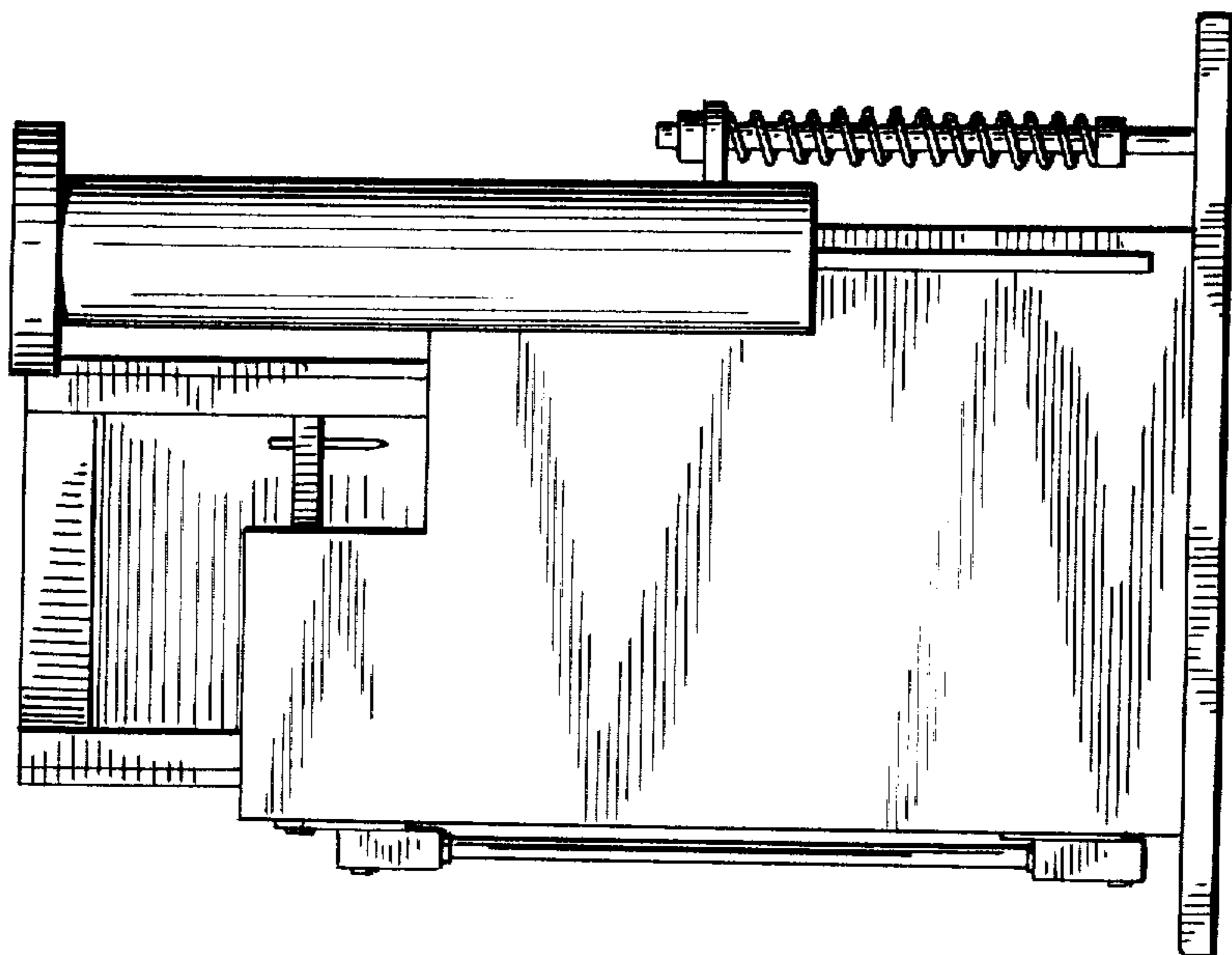


Fig. 6.

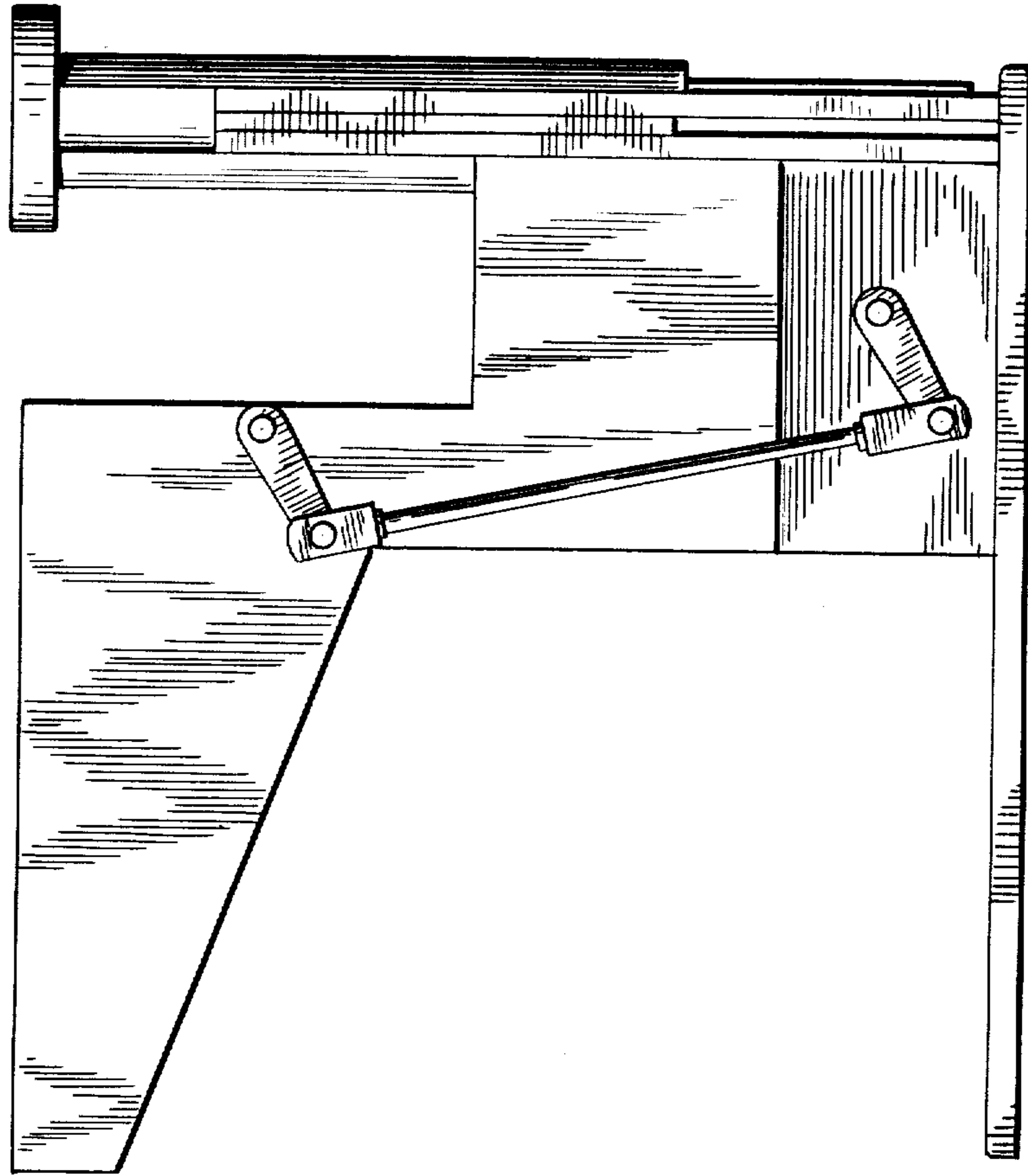


Fig. 5.

