

[54] TRANSMISSION DETENT CABLE CONNECTOR

4,188,836 2/1980 Muller 74/501

[76] Inventor: Richard B. Muller, 5415 Providence Rd., Charlotte, N.C. 28211

Primary Examiner—Peter M. Caun
Attorney, Agent, or Firm—Bell, Seltzer, Park & Gibson

[**] Term: 14 Years

[57] CLAIM

[21] Appl. No.: 4,500

The ornamental design for a transmission detent cable connector, substantially as shown.

[22] Filed: Jan. 18, 1979

DESCRIPTION

[51] Int. Cl. D15—99

FIG. 1 is a perspective view of one side of a transmission detent cable connector, showing my new design;

[52] U.S. Cl. D15/5

FIG. 2 is a perspective view of the opposite side thereof;

[58] Field of Search D15/5, 6, 149;
74/501 R, 501 M, 501 P

FIG. 3 is a longitudinal cross-sectional view taken through the center thereof;

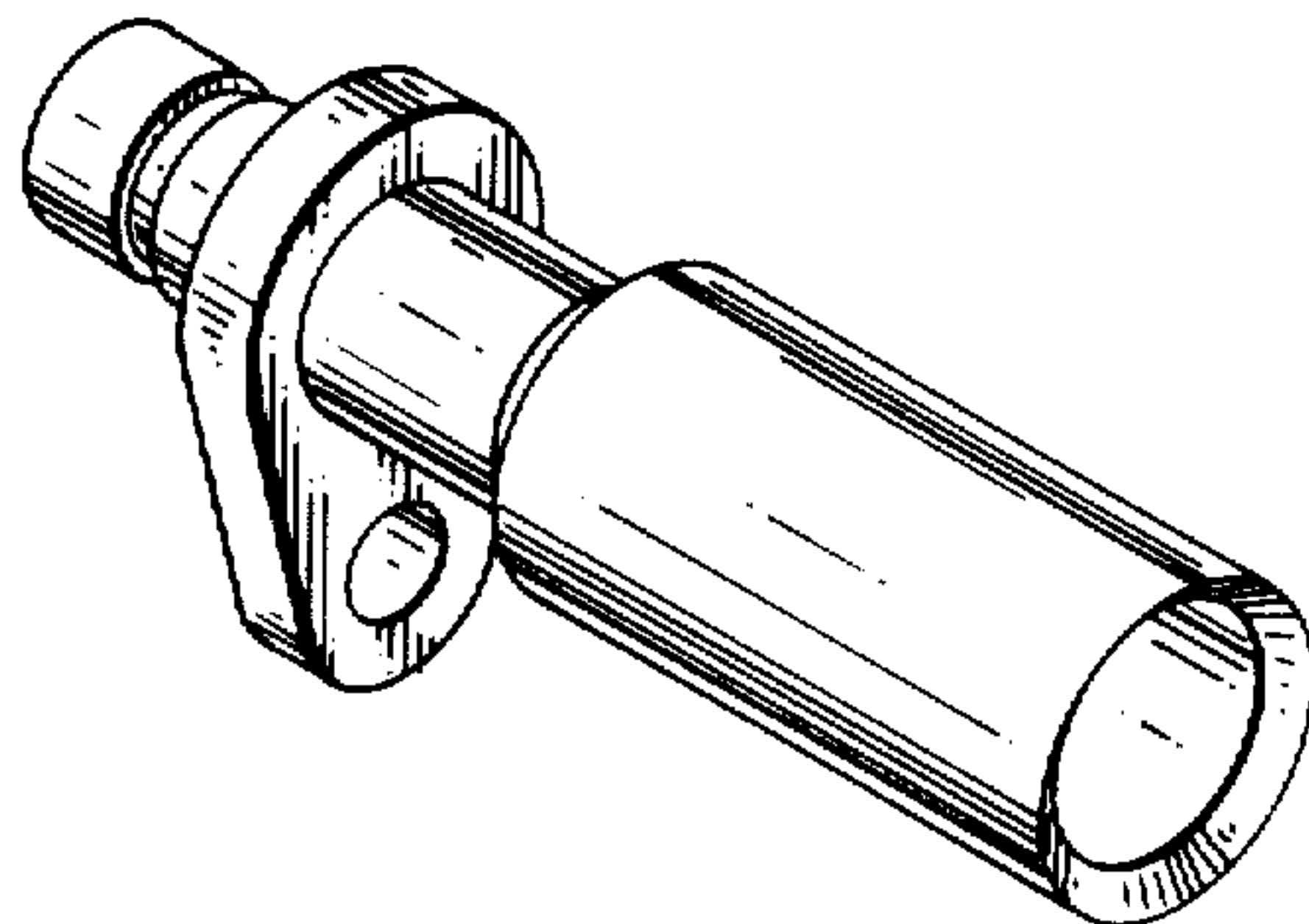
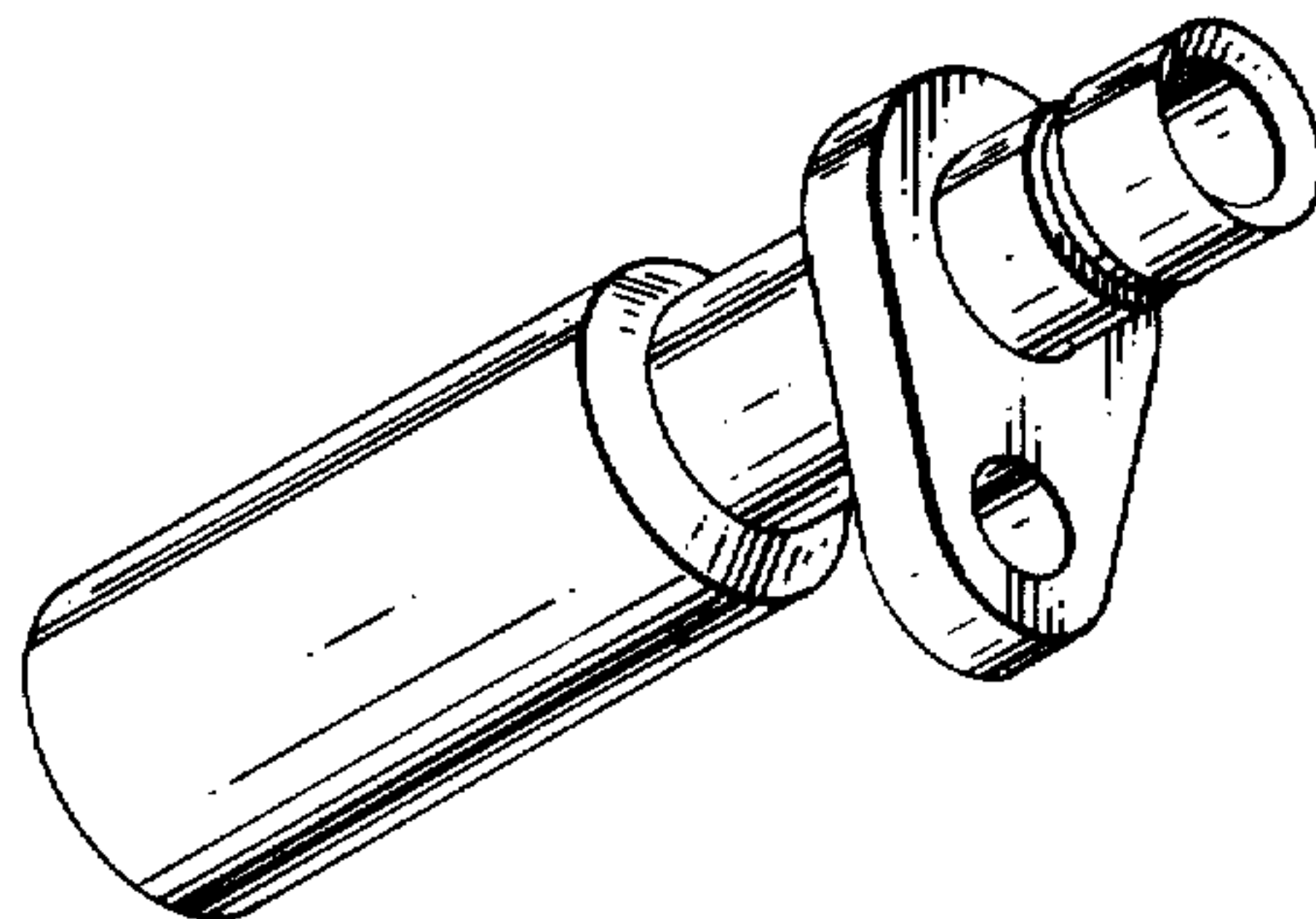
[56] References Cited

U.S. PATENT DOCUMENTS

3,521,498 7/1970 Eriksson 74/501

FIG. 4 is an elevation view showing one end thereof; and

FIG. 5 is an elevation view showing the opposite end thereof.



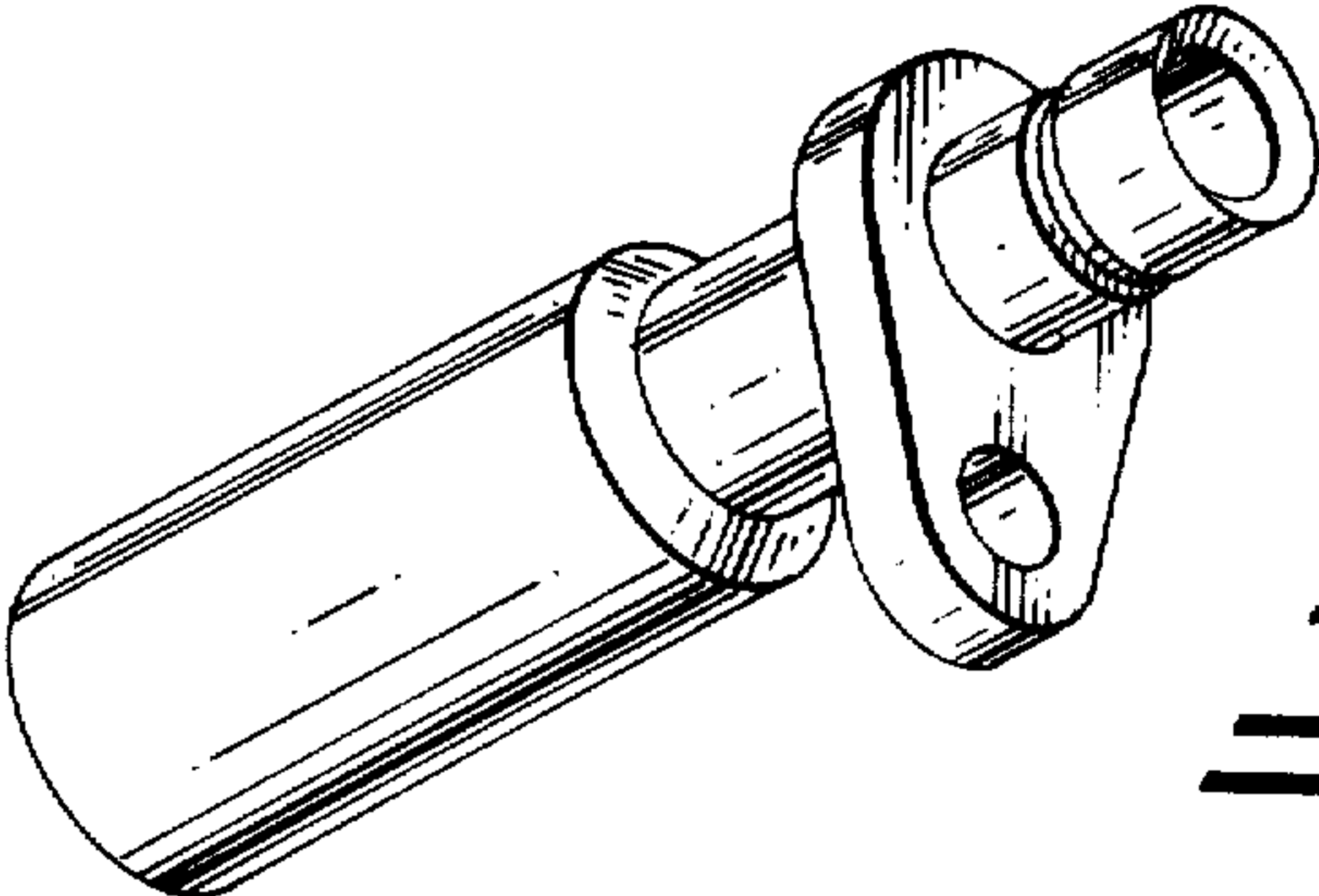


Fig-1

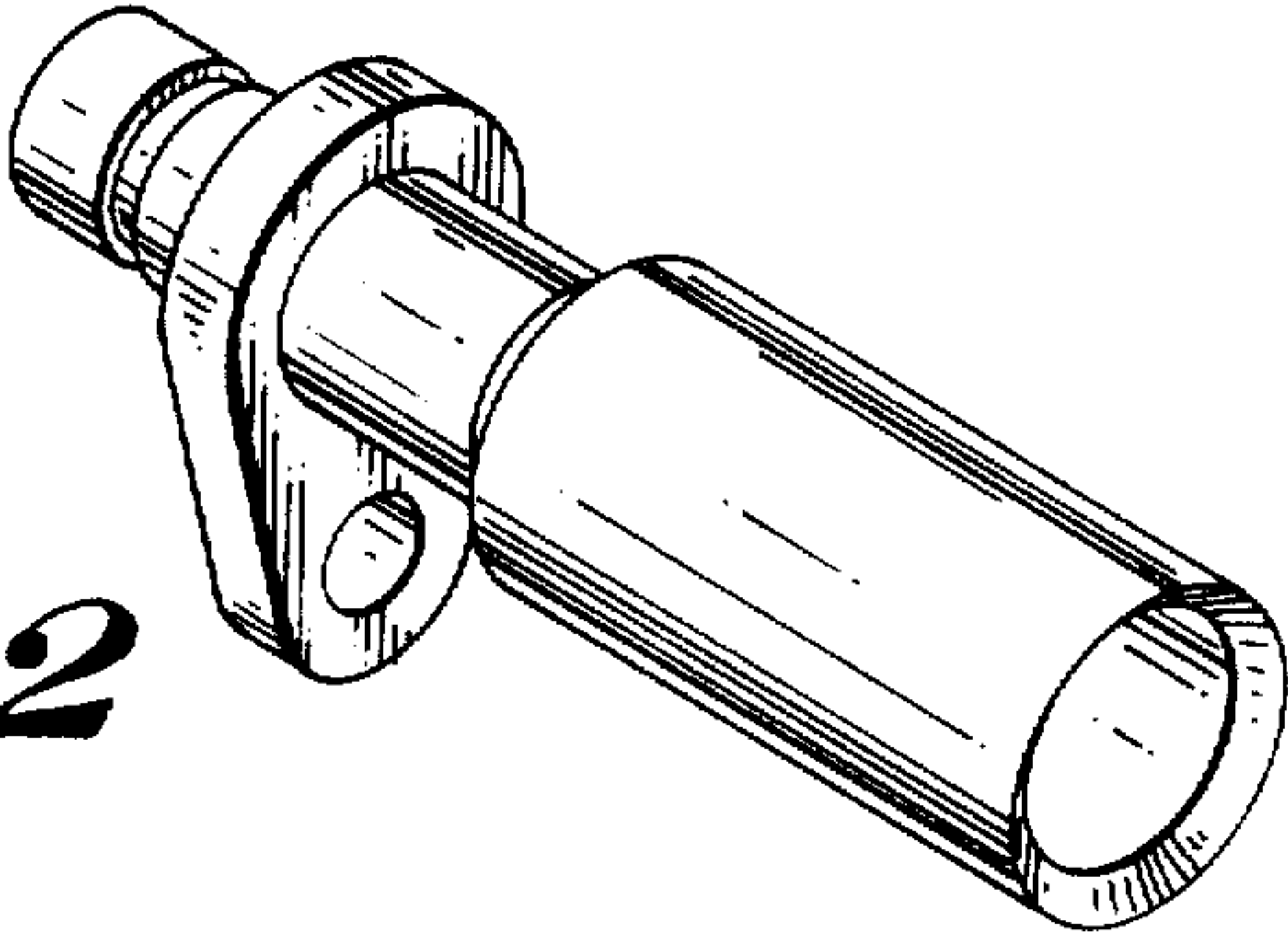


Fig-2

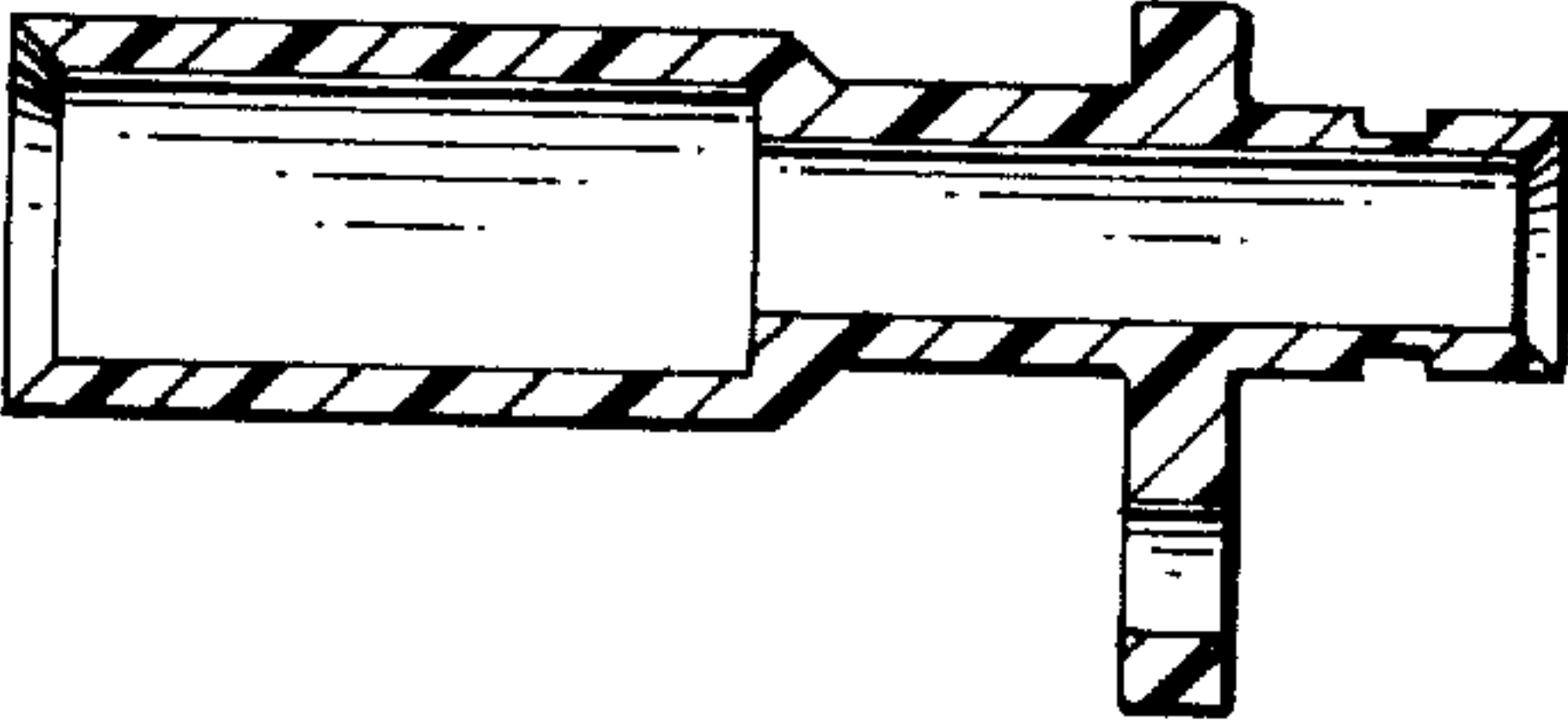


Fig-3

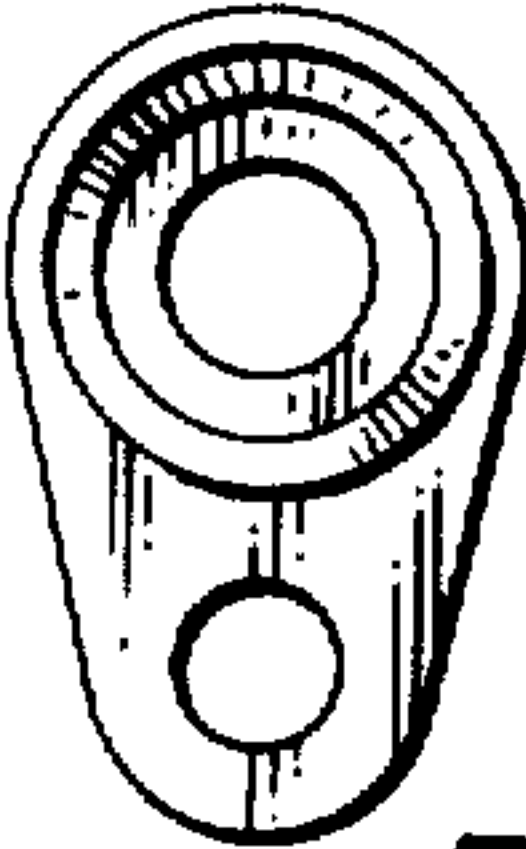


Fig-4

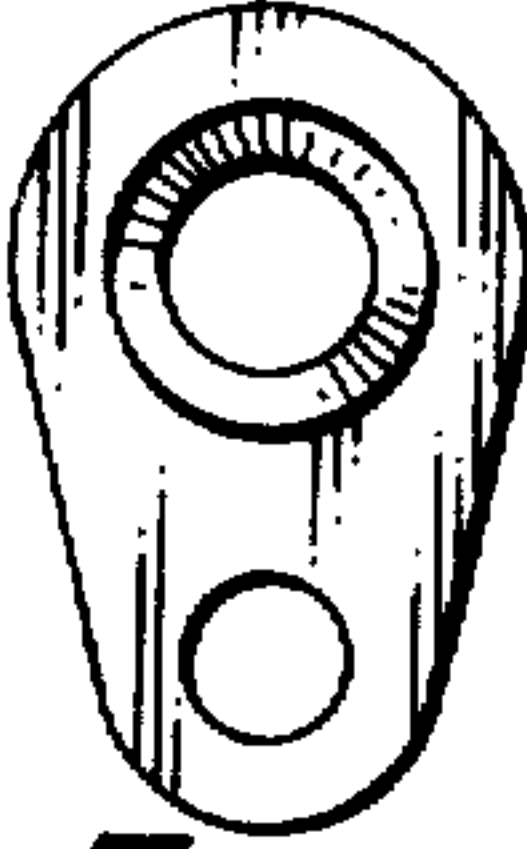


Fig-5