

[54] RADIO RECEIVER

[76] Inventor: William J. Hass, 3707 Russett La., Northbrook, Ill. 60062

[**] Term: 14 Years

[21] Appl. No.: 103,570

[22] Filed: Dec. 14, 1979

[51] Int. Cl. D14-03

[52] U.S. Cl. D14/68; D14/32; D14/70

[58] Field of Search D14/1, 30, 32, 33, 36, D14/68, 69, 70, 72, 75, 76, 99; D10/15; D21/148; D6/200, 201; 179/157; 455/351

[56] References Cited

U.S. PATENT DOCUMENTS

D. 33,613	11/1900	Hogan et al.	D6/201
D. 255,369	6/1980	De Gross	D10/15 X
4,070,553	1/1978	Hass	179/1 GA
4,084,139	4/1978	Jakobe	179/157

4,224,482 9/1980 Lese et al. 179/157

Primary Examiner—Jane E. Corrigan
Attorney, Agent, or Firm—Hume, Clement, Brinks, William & Olds, Ltd.

[57] CLAIM

The ornamental design for a radio receiver, substantially as shown and described.

DESCRIPTION

FIG. 1 is a perspective view of a radio receiver showing my new design;
FIG. 2 is an elevational view of the end shown on the left in FIG. 1;
FIG. 3 is an elevational view of the end shown on the right in FIG. 1;
FIG. 4 is a side elevational view, with the receiver shown as broken away for convenience of illustration;
FIG. 5 is a top plan view thereof;
FIG. 6 is a partial perspective view of the FIG. 2 end of the receiver; and
FIG. 7 is a partial perspective view of the FIG. 3 end of the receiver.

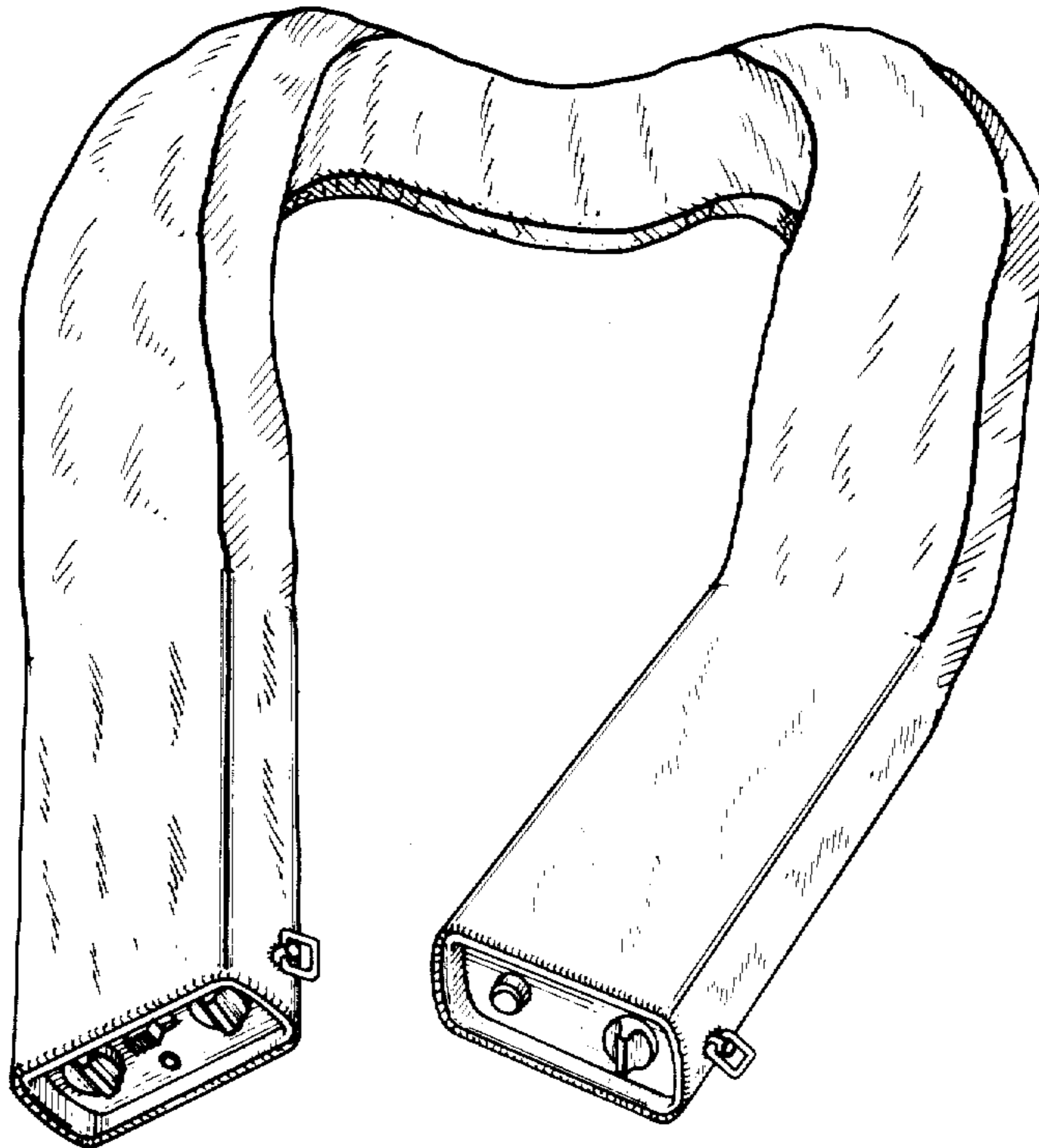


FIG. 1

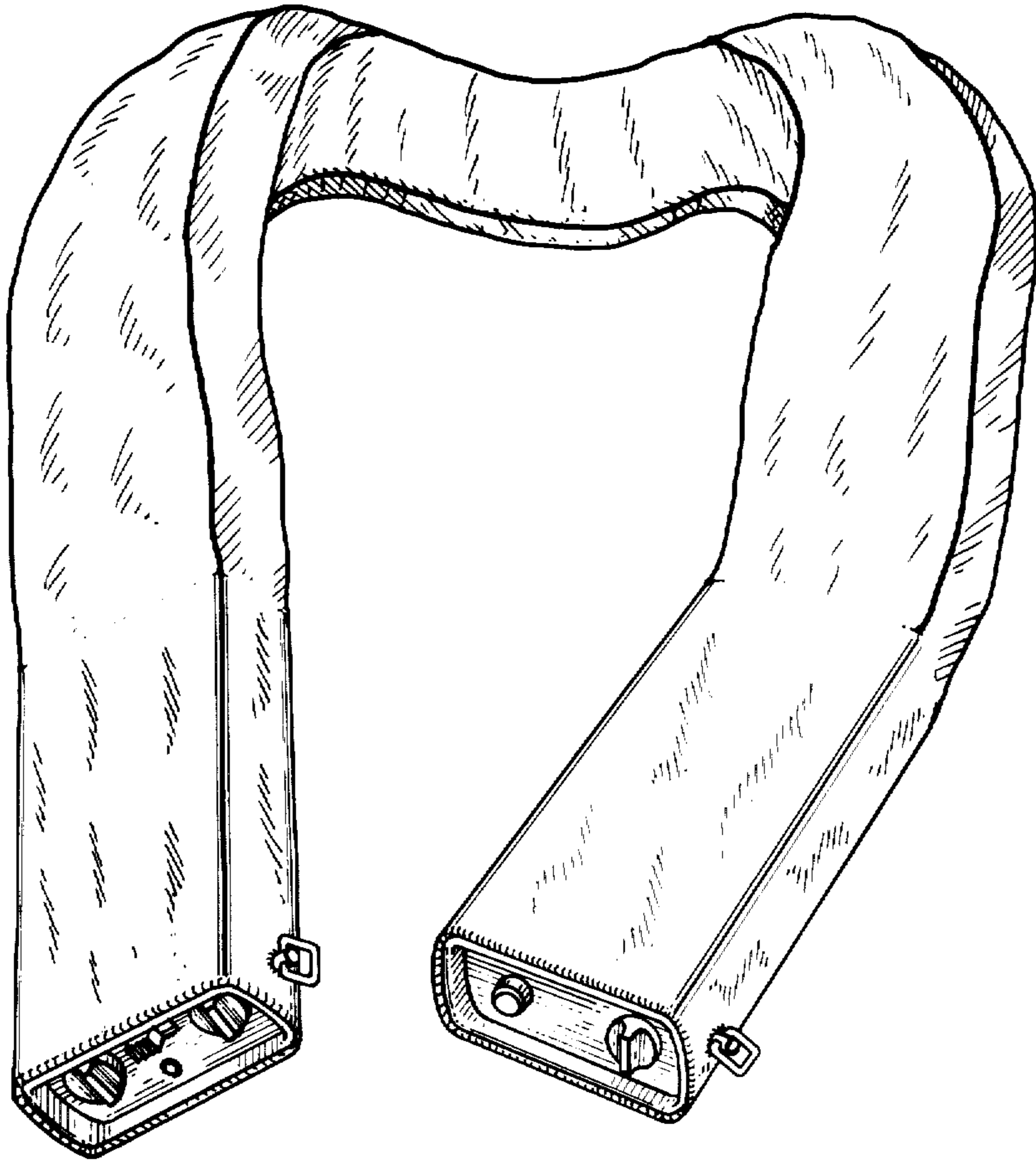


FIG. 2

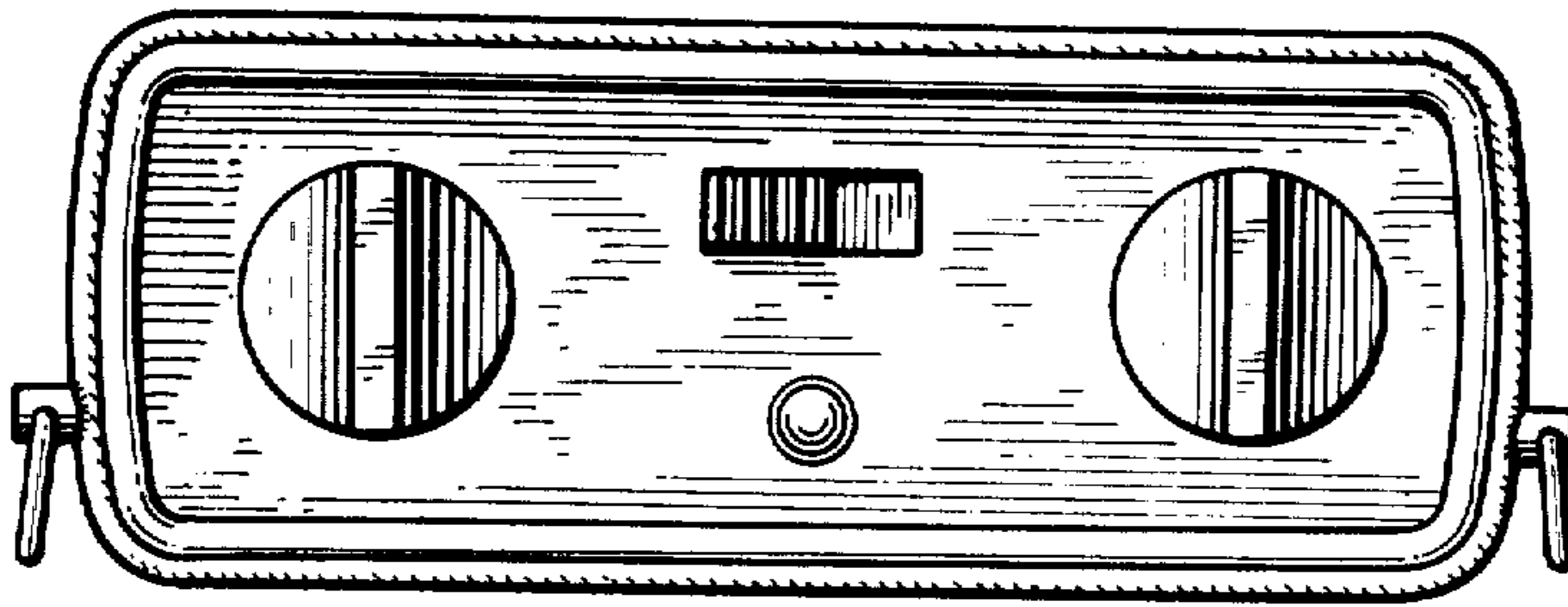


FIG. 3

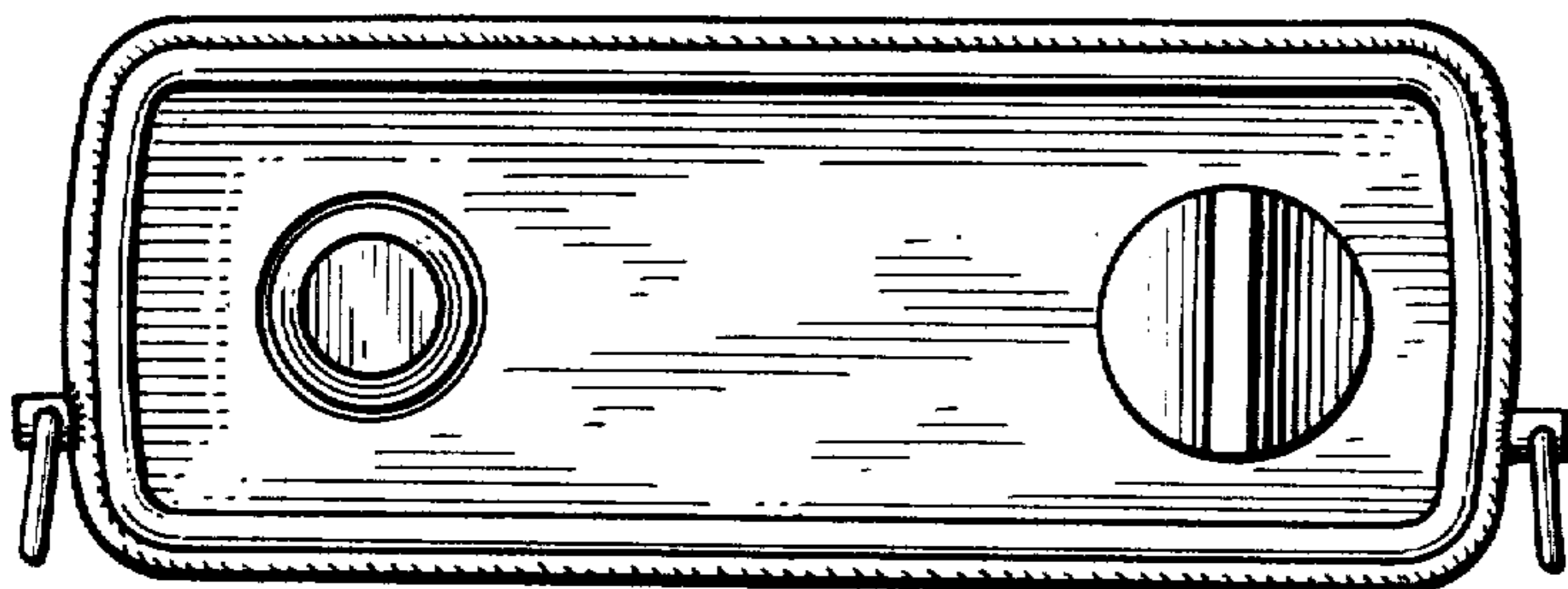


FIG. 4

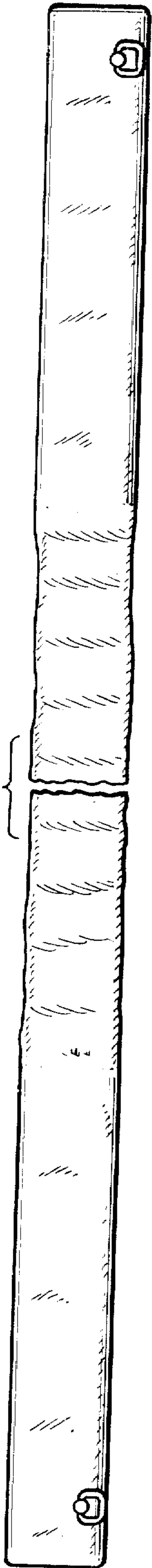


FIG. 5

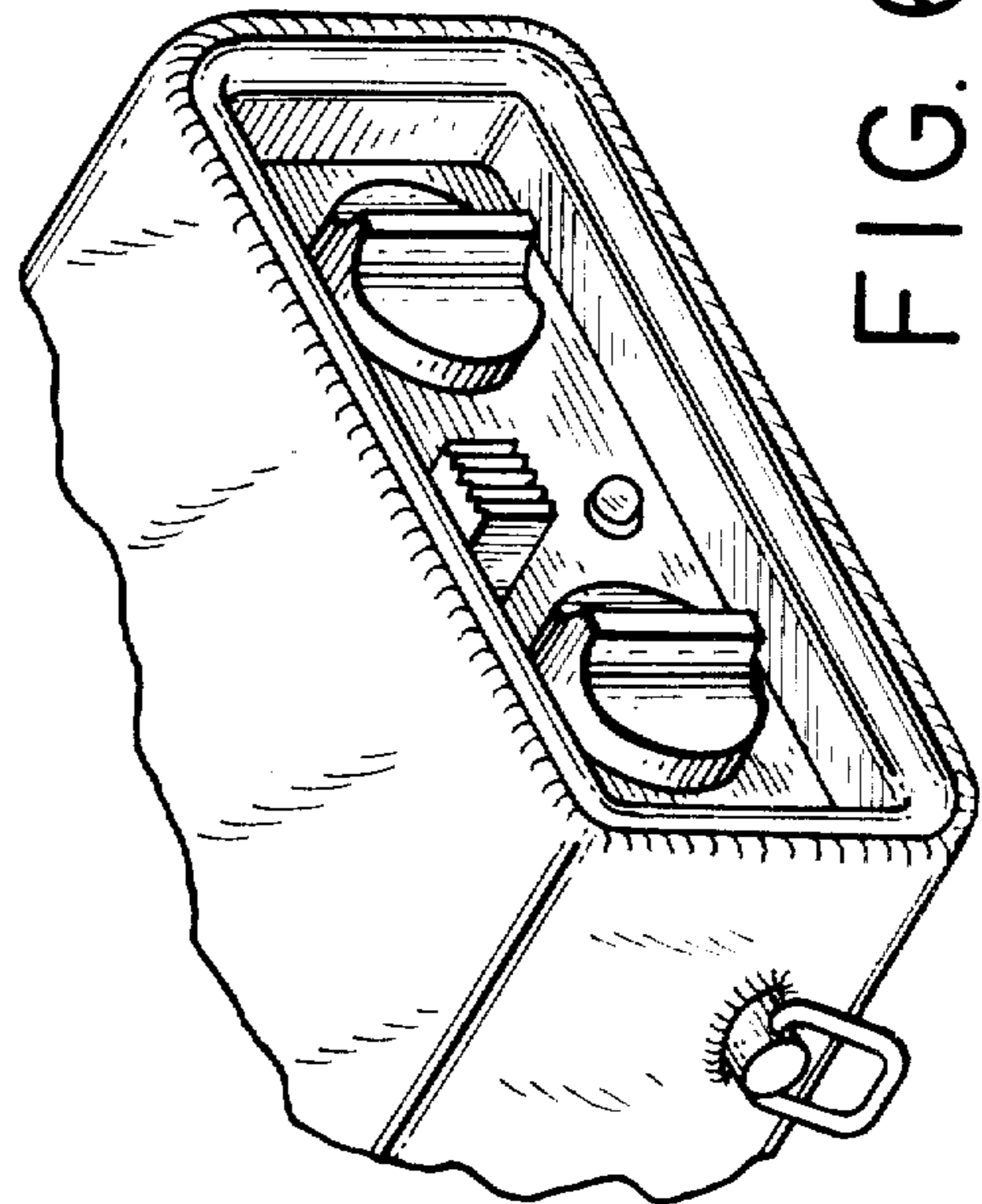
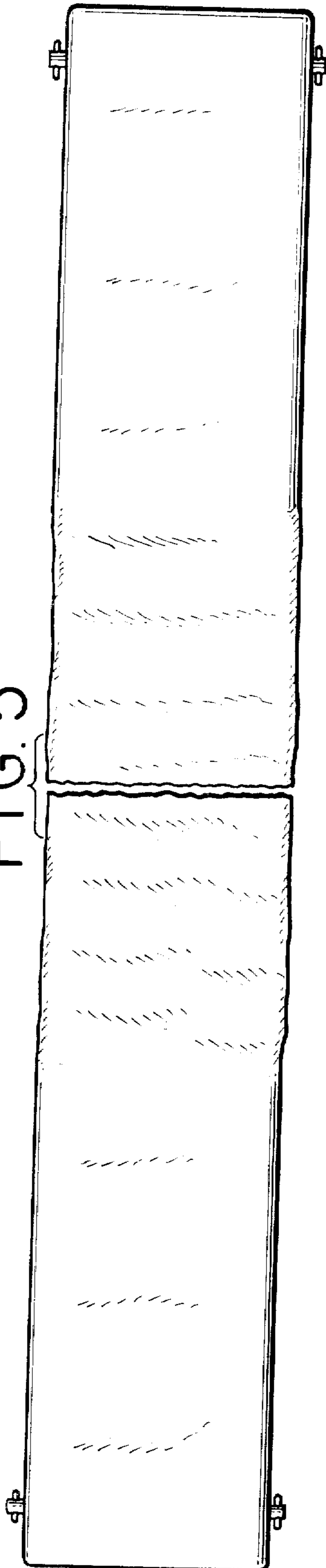


FIG. 6

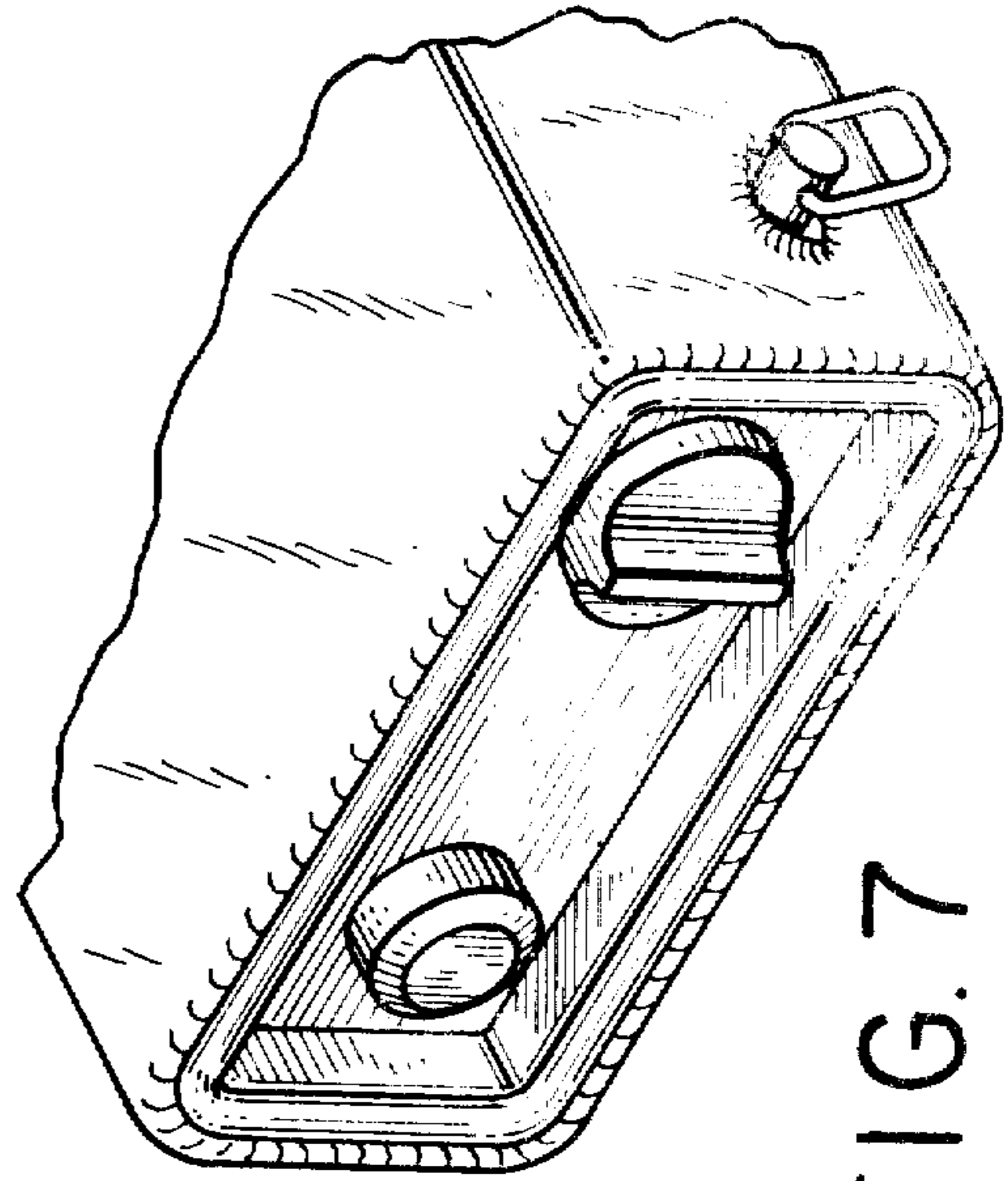


FIG. 7