

[54] TAPE RECORDER AND PLAYER OR SIMILAR ARTICLE

[75] Inventor: Richard Culbertson, Manlius, N.Y.

[73] Assignee: General Electric Company, New York, N.Y.

[\*\*] Term: 14 Years

[21] Appl. No.: 73,741

[22] Filed: Sep. 10, 1979

[51] Int. Cl. .... D14-01

[52] U.S. Cl. .... D14/6; D14/3; D14/5

[58] Field of Search ..... D14/3, 5, 6

[56] References Cited

U.S. PATENT DOCUMENTS

- D. 219,385 12/1970 Becker et al. .... D14/6
- D. 227,119 6/1973 Kainass ..... D14/6
- D. 236,504 8/1975 Hattori ..... D14/6
- D. 240,138 6/1976 Culbertson et al. .... D14/6
- D. 246,582 12/1977 Okada ..... D14/6

- D. 246,583 12/1977 Okada ..... D14/6
- D. 247,747 4/1978 Nemoto et al. .... D14/6
- D. 248,468 7/1978 Culbertson ..... D14/6
- D. 251,782 5/1979 Culbertson ..... D14/6
- D. 255,566 6/1980 Imada ..... D14/5

OTHER PUBLICATIONS

Panasonic Publication Model No. RQ-2309, May 1978. W. Bell & Co. 1979 Cat., Sharp Recorder, Item "K", Sep. 1978.

Sanyo Publication Brochure, Apr. 1977, Cassette Recorders.

Primary Examiner—Bernard Ansher

Attorney, Agent, or Firm—Leonard J. Platt; George R. Powers; John F. Cullen

[57] CLAIM

The ornamental design for a tape recorder and player or similar article, as shown.

DESCRIPTION

FIG. 1 is a top front perspective view of a tape recorder and player showing my new design; and FIG. 2 is a bottom rear perspective view thereof.

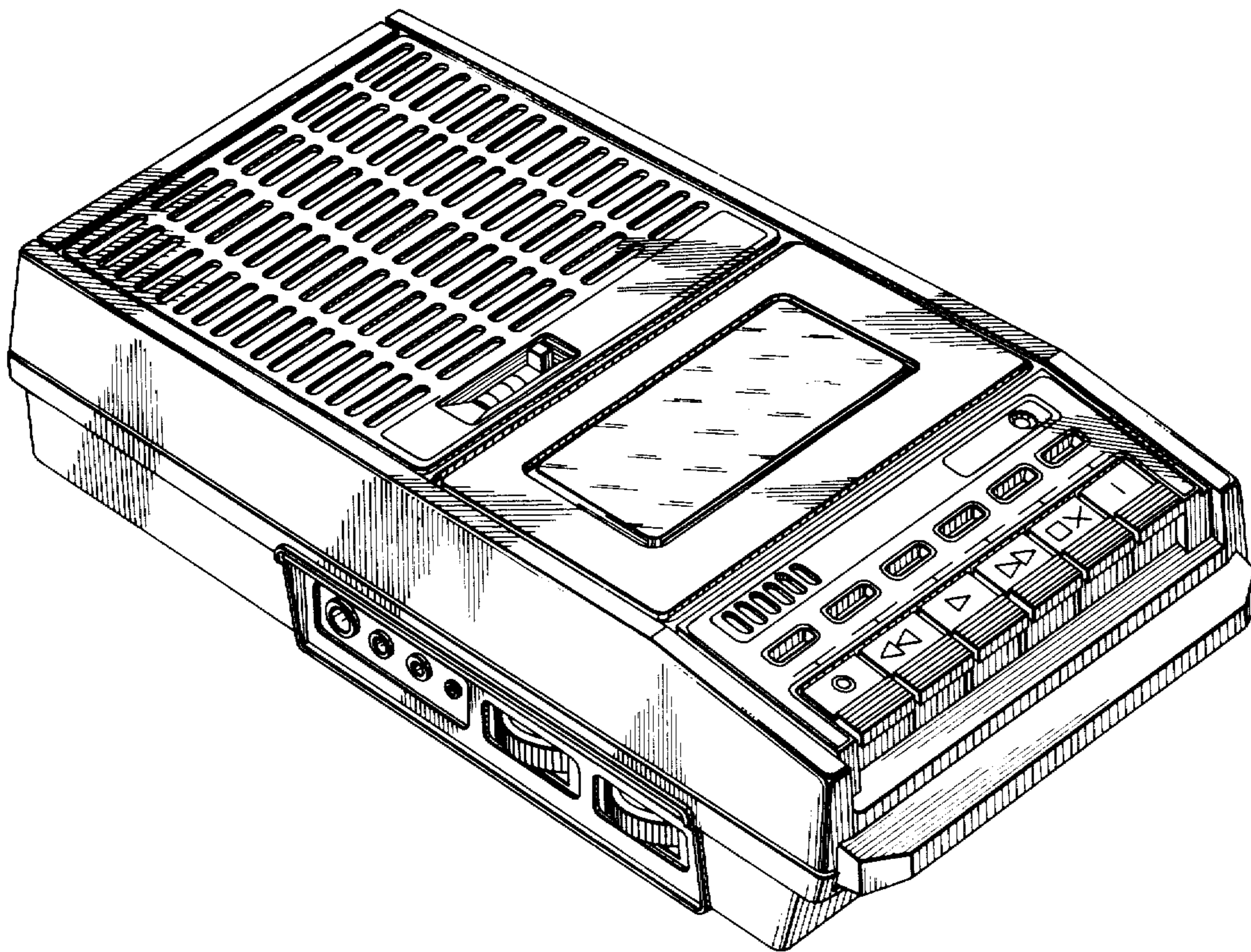
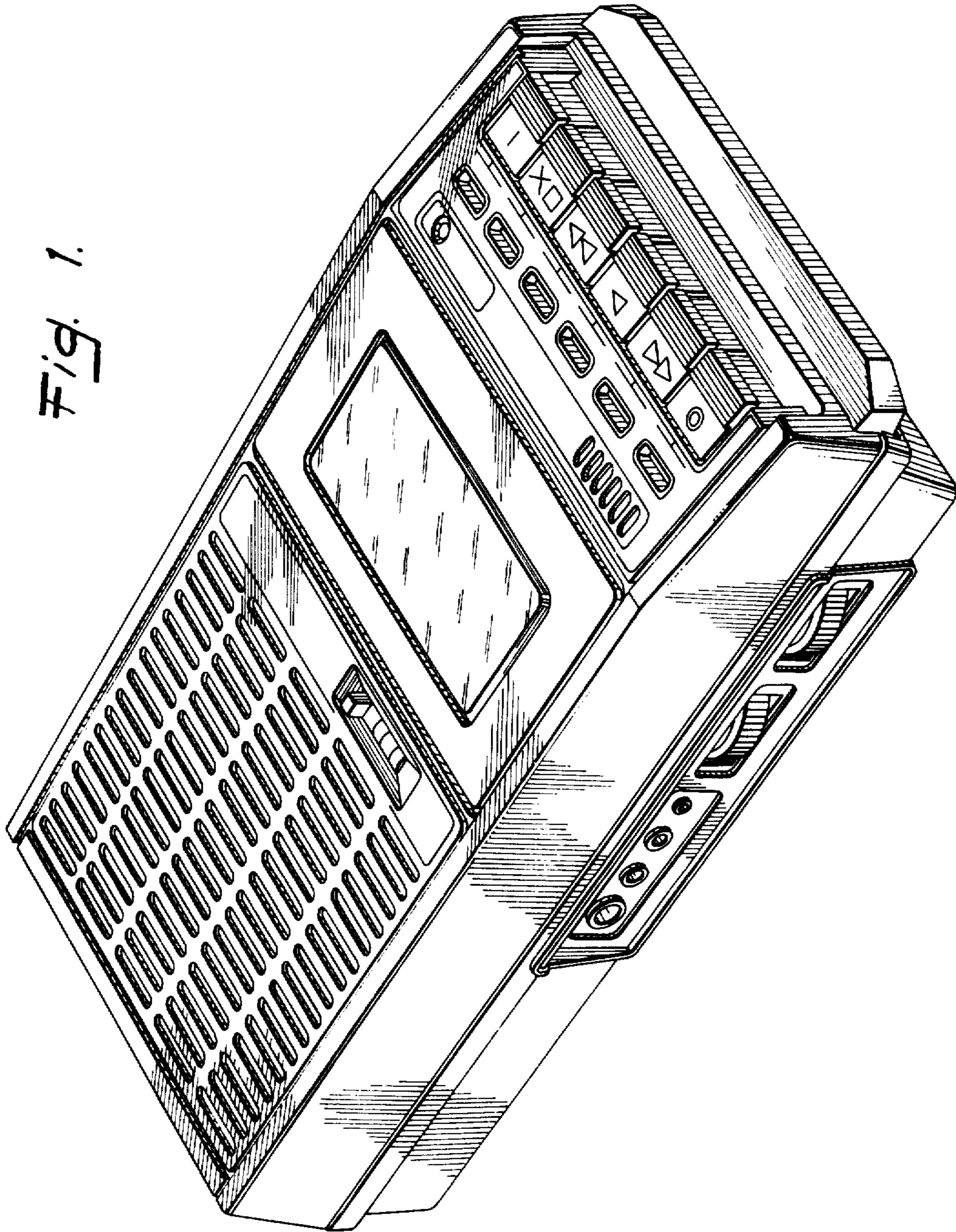


Fig. 1.



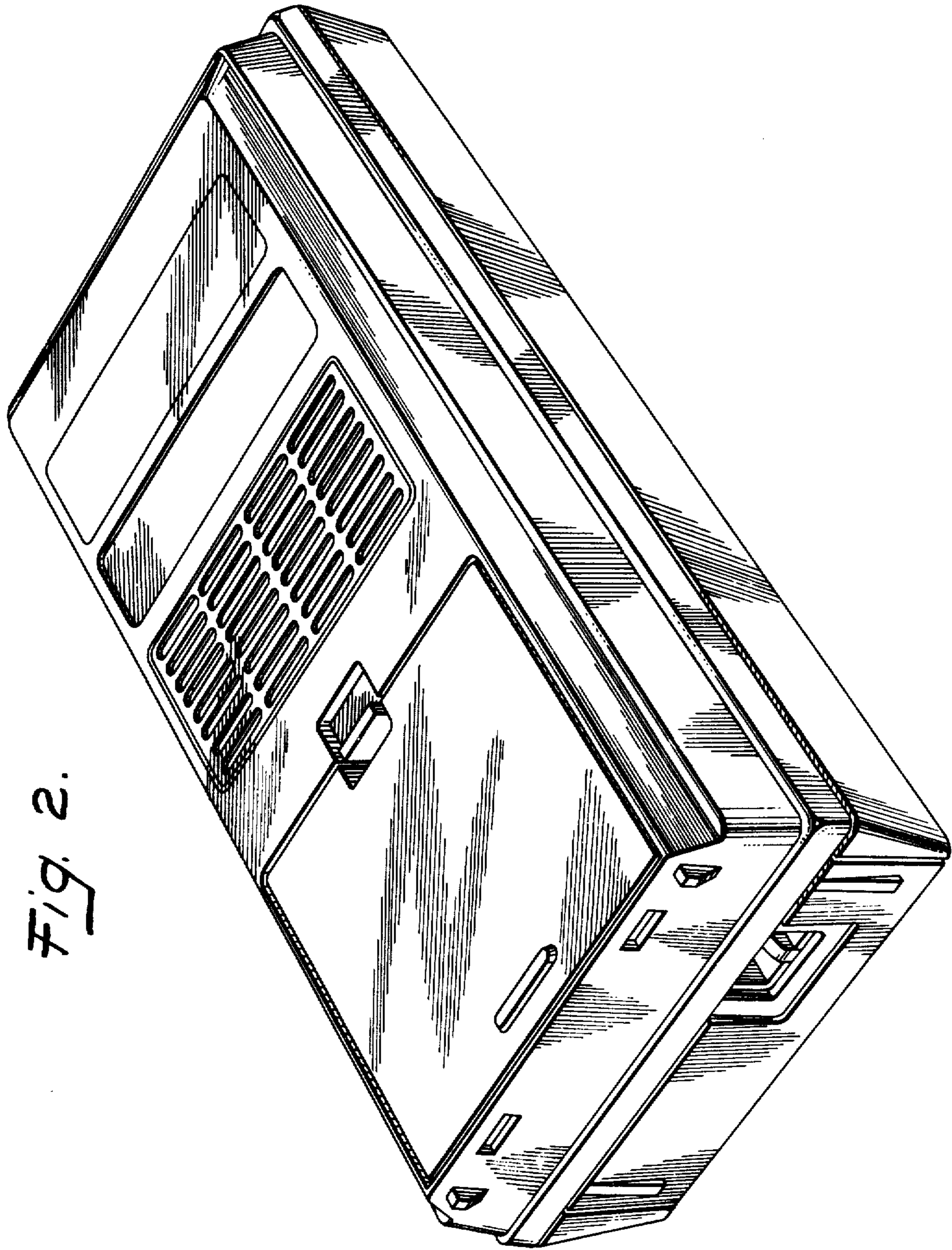


Fig. 2.