

[54] ELECTRICAL CONTROL HOUSING ASSEMBLY

[75] Inventor: Gerald K. Miller, Hersey, Mich.

[73] Assignee: Nartron Corporation, Reed City, Mich.

[**] Term: 14 Years

[21] Appl. No.: 74,635

[22] Filed: Sep. 12, 1979

[51] Int. Cl. D13-03

[52] U.S. Cl. D13/32

[58] Field of Search 361/399, 415; D13/12, D13/32, 40, 41; 200/5 R, 5 A, 155 R, 293, 294, 296; 361/331, 334, 346, 380, 390

[56] References Cited

U.S. PATENT DOCUMENTS

- D. 183,264 7/1958 O'Cathey D13/32
- D. 209,513 12/1967 Walters D13/32
- D. 250,949 1/1979 Reis D13/32

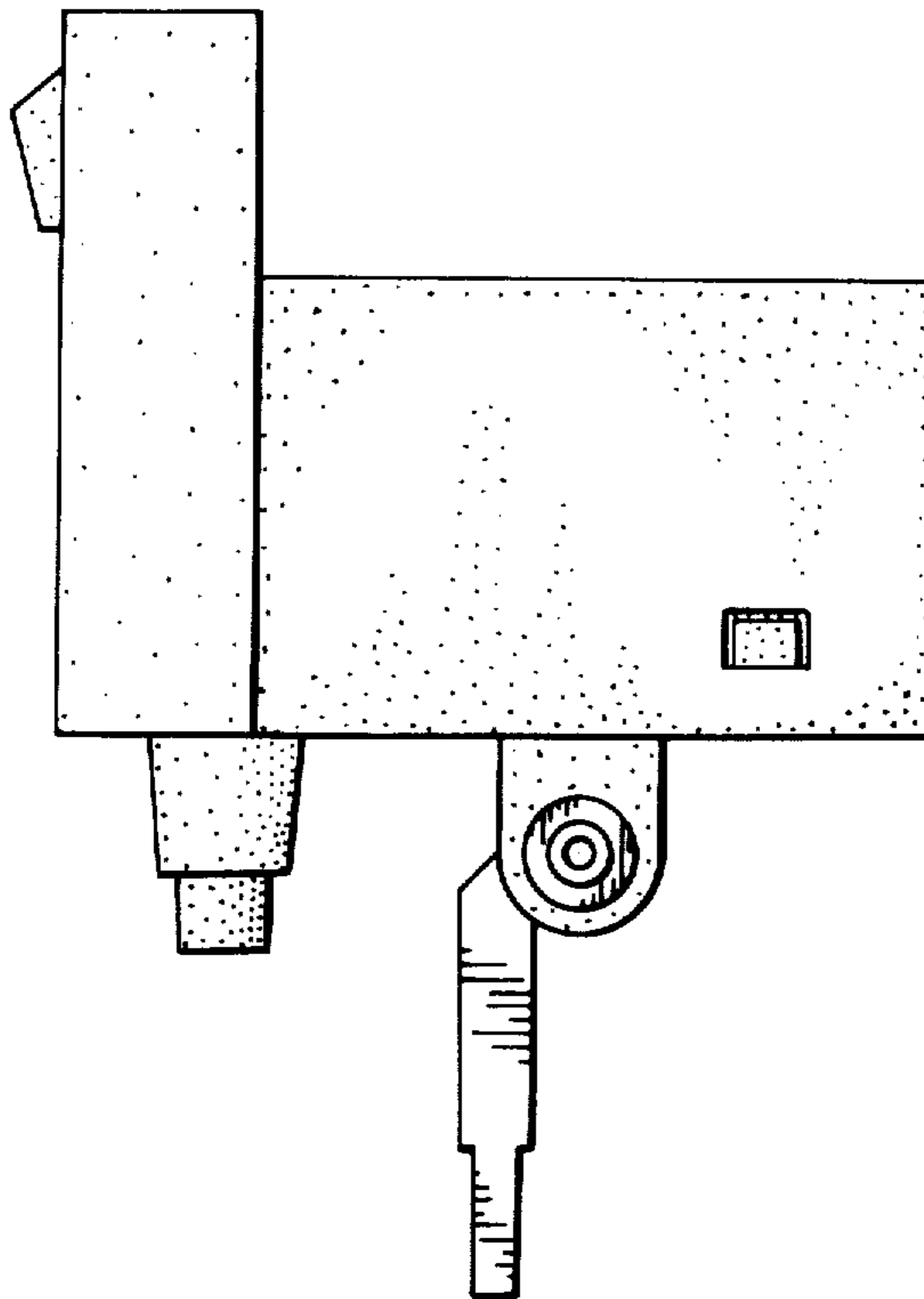
Primary Examiner—A. Hugo Word
Attorney, Agent, or Firm—Lon H. Romanski

[57] CLAIM

The ornamental design for an electrical control housing assembly, as shown and described.

DESCRIPTION

FIG. 1 is a top plan view of an electrical control housing assembly showing my new design;
 FIG. 2 is a side elevational view thereof;
 FIG. 3 is a rear elevational view thereof;
 FIG. 4 is a front elevational view thereof;
 FIG. 5 is an elevational view of the side opposite to that shown in FIG. 2; and
 FIG. 6 is a bottom plan view thereof.



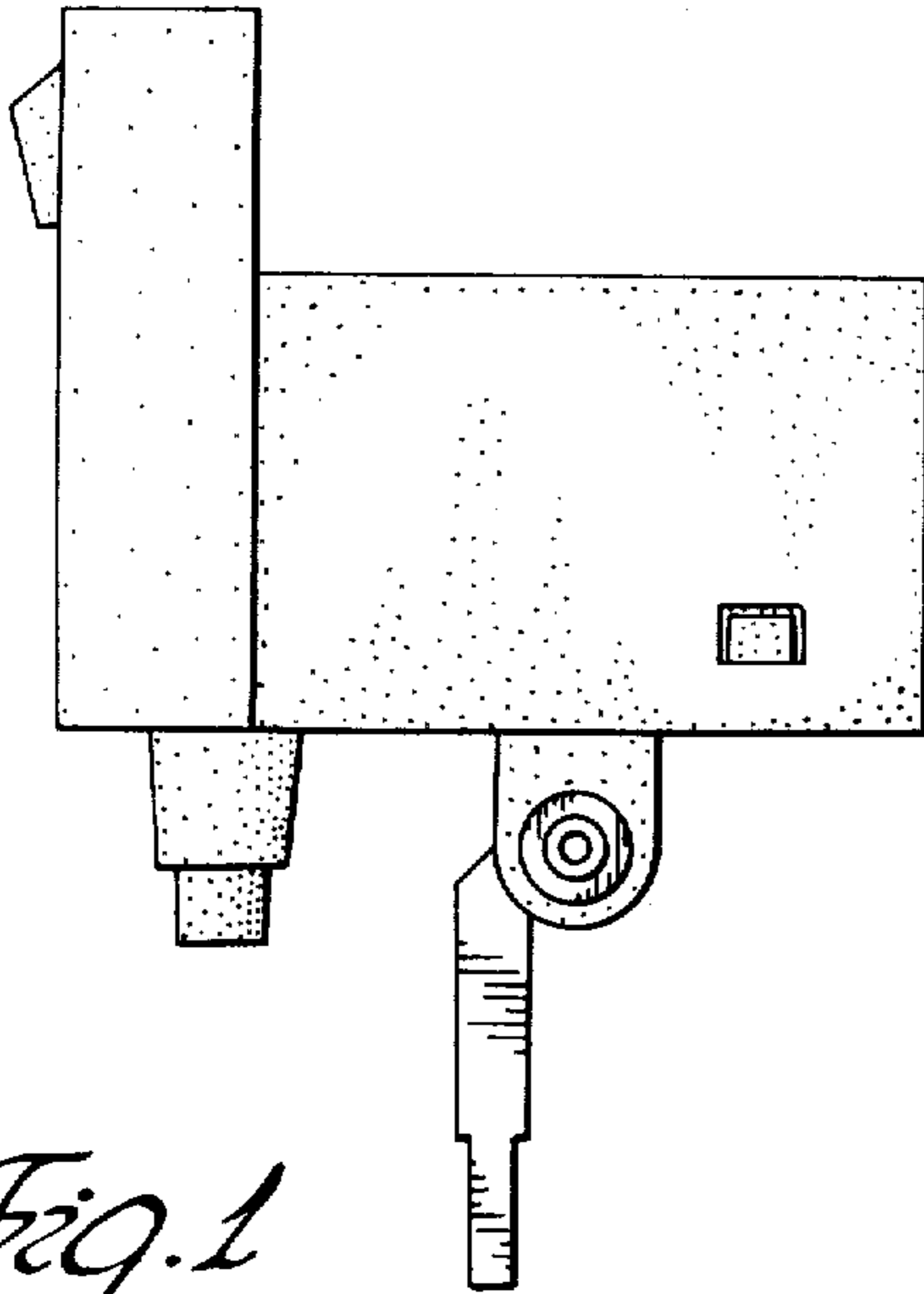


Fig. 1

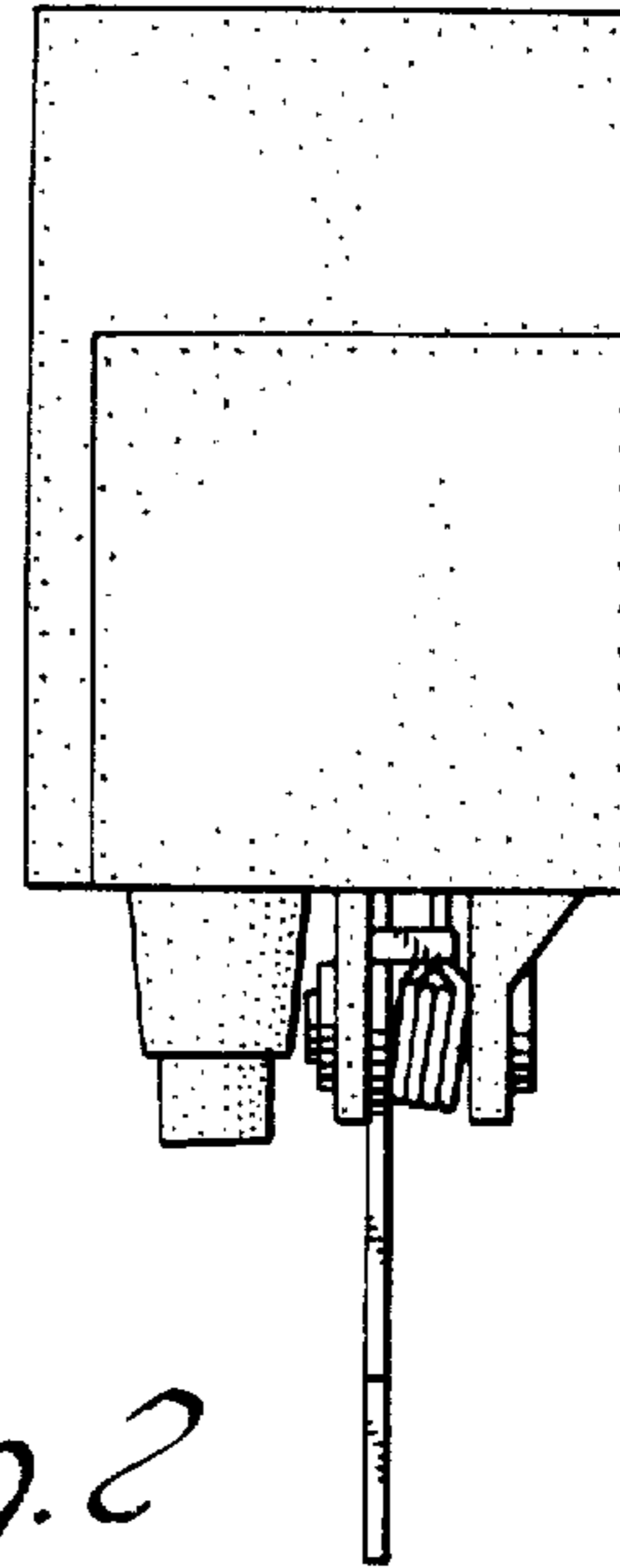


Fig. 2

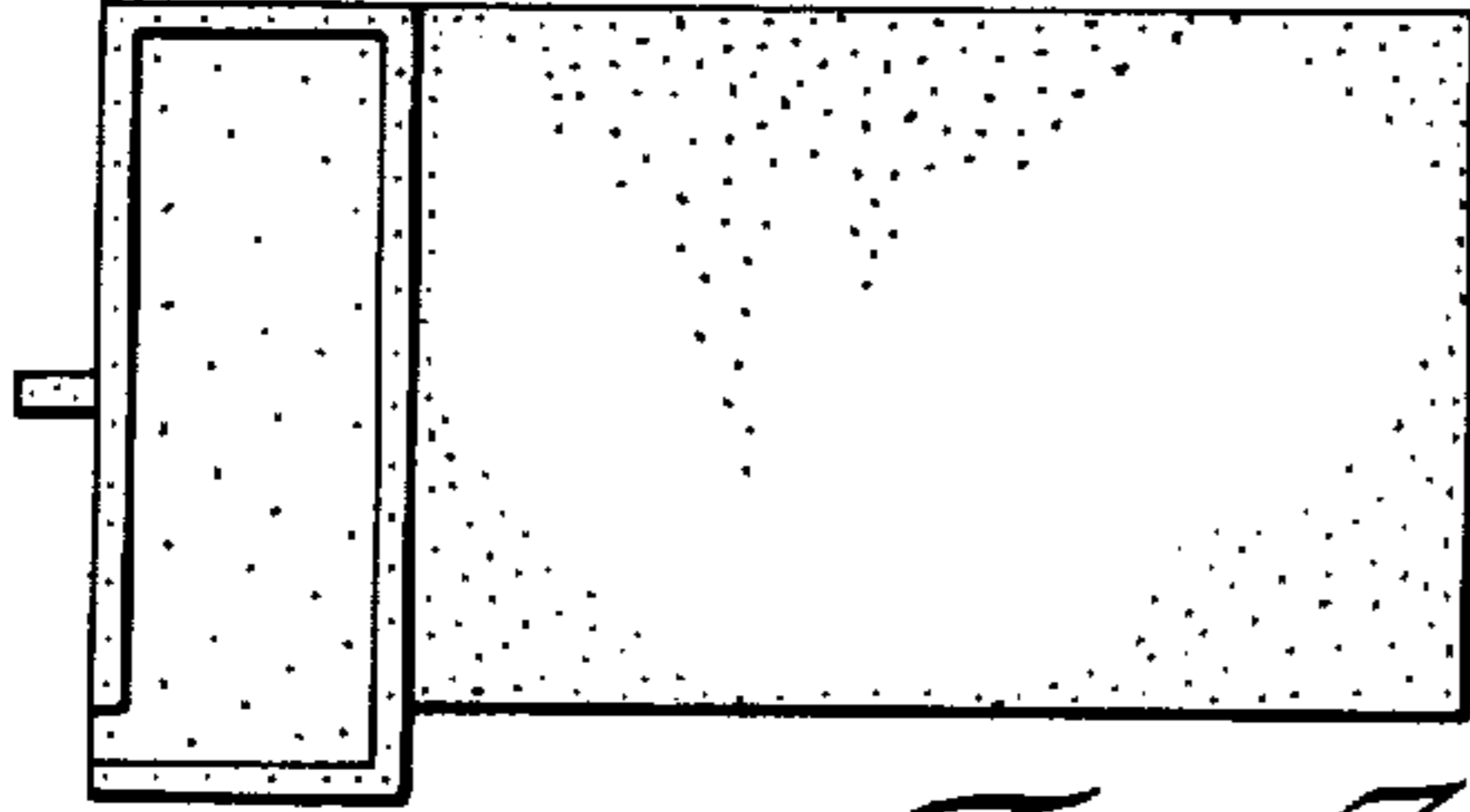


Fig. 3

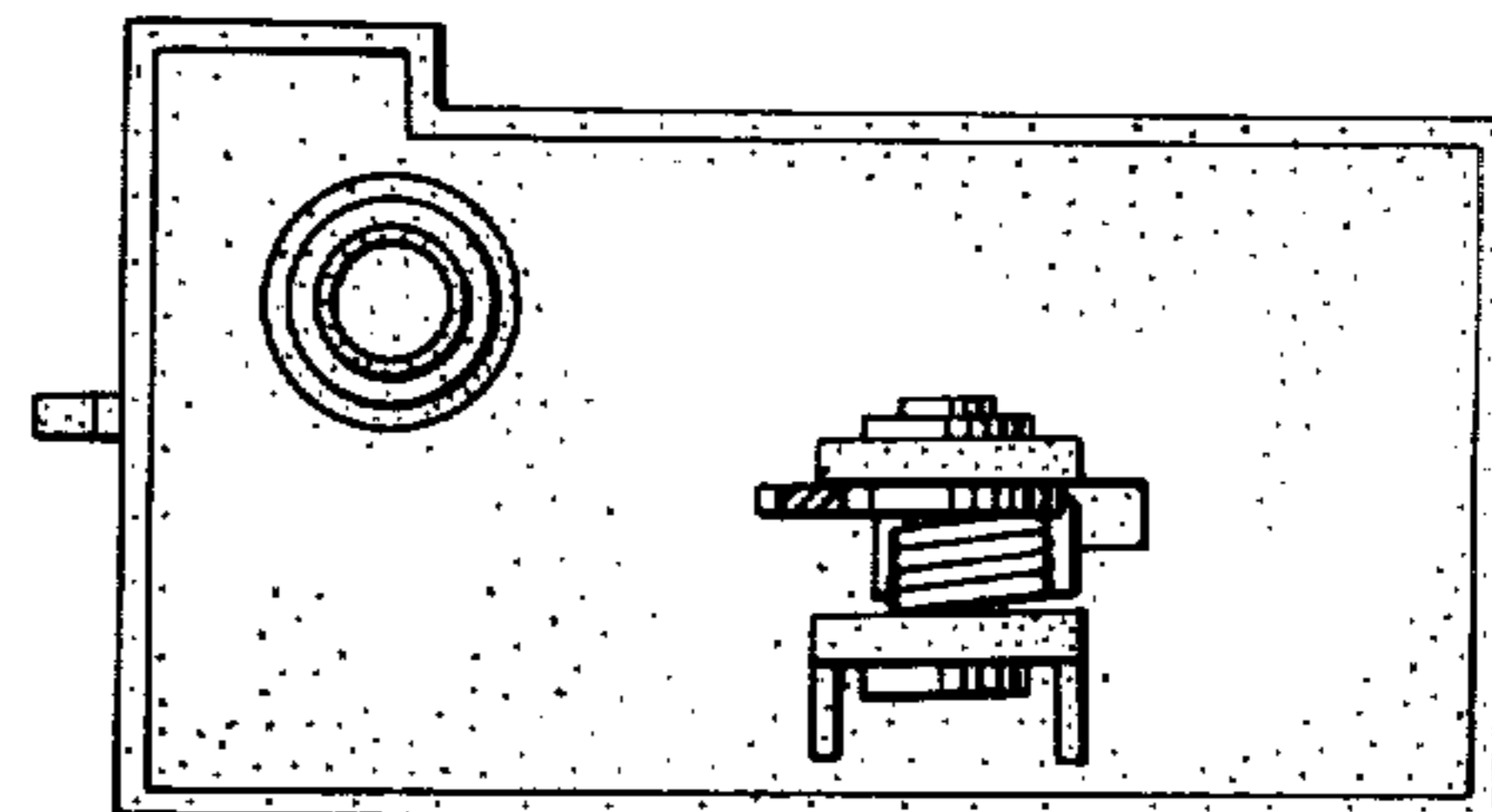


Fig. 4

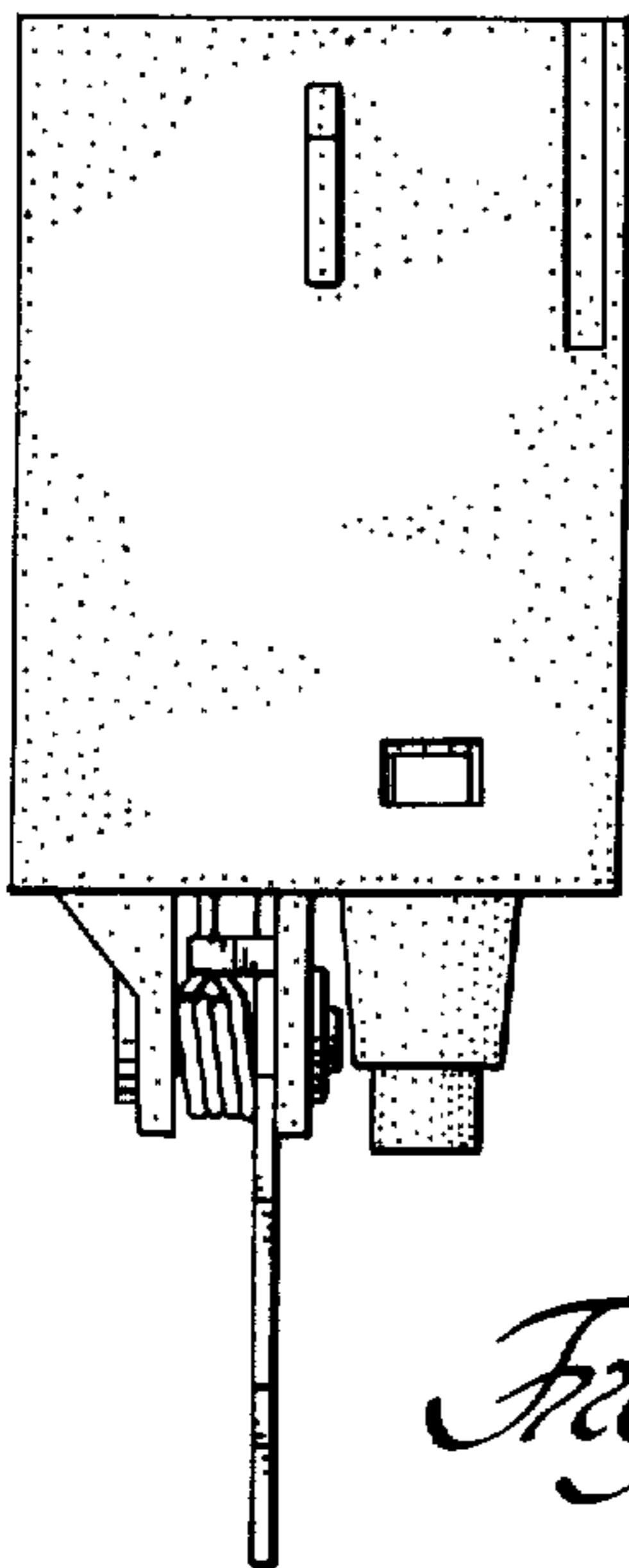


Fig. 5

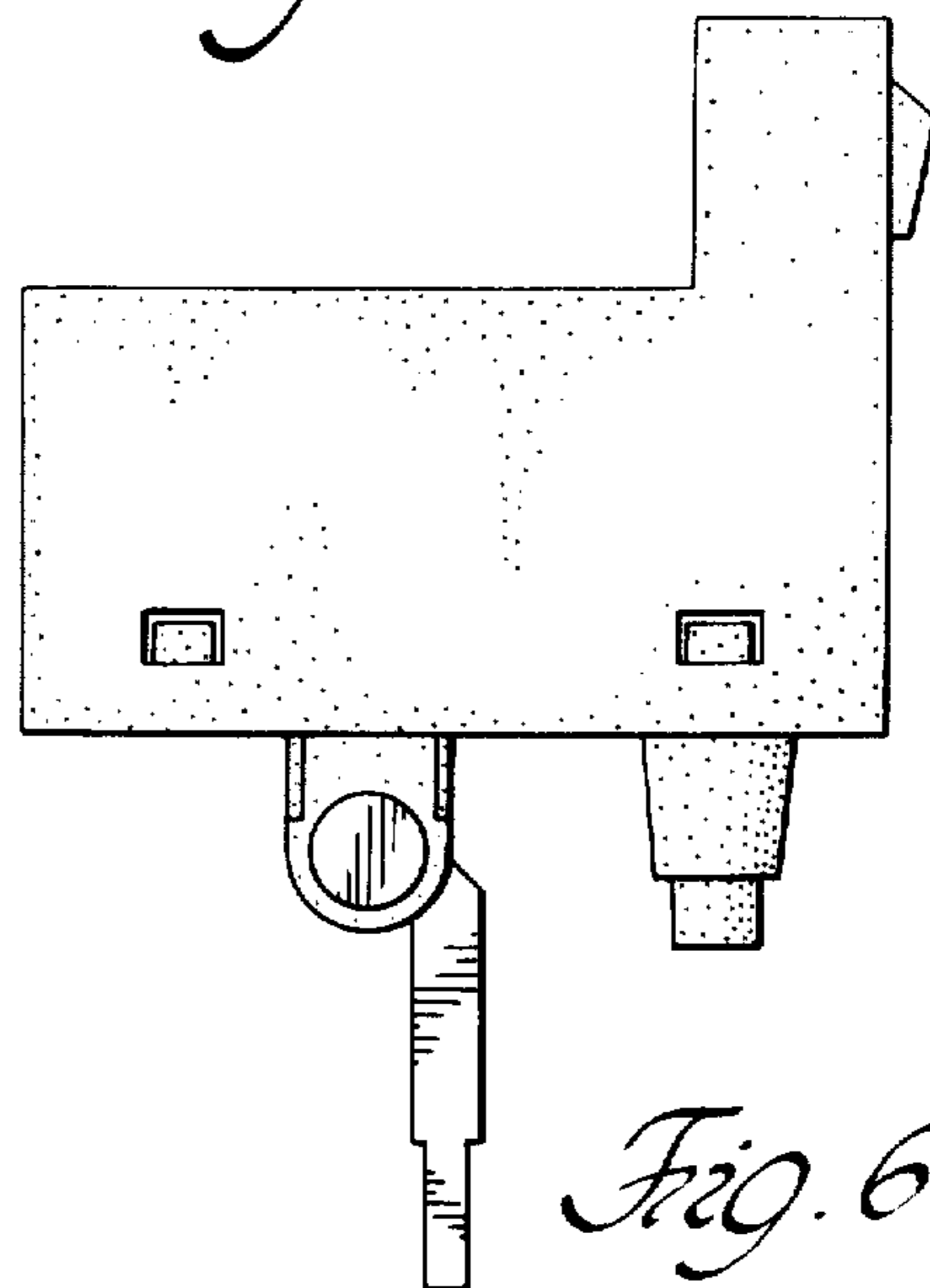


Fig. 6