

[54] **PACKAGING CONTAINER FOR CASSETTES OR THE LIKE**

3,487,919 1/1970 Elliott et al. D9/326 X
 3,638,788 2/1972 Solomon D3/35 X

[75] Inventor: **Carol A. Haubert**, Upper Grandview, N.Y.

Primary Examiner—Robert C. Spangler
Attorney, Agent, or Firm—Richard M. Sharkansky;
 Joseph D. Pannone

[73] Assignee: **Raytheon Company**, Lexington, Mass.

[57] **CLAIM**

[**] Term: **14 Years**

The ornamental design for a packaging container for cassettes or the like, as shown and described.

[21] Appl. No.: **72,268**

DESCRIPTION

[22] Filed: **Sep. 4, 1979**

[51] Int. Cl. **D9-03**

[52] U.S. Cl. **D9/341; D9/415; D9/420; D3/35**

[58] Field of Search **D3/35; D9/305, 326, D9/341, 346, 415, 420, 432, 423; 206/387**

FIG. 1 is a top, front perspective view of a packaging container for cassettes or the like embodying my new design;

FIG. 2 is a bottom, front perspective view;

FIG. 3 is a front perspective view in a partially open position;

FIG. 4 is another front perspective view in a partially open position;

FIG. 5 is a front elevational view;

FIG. 6 is a right side elevational view;

FIG. 7 is a left side elevational view;

FIG. 8 is a bottom plan view; and

FIG. 9 is a rear elevational view thereof.

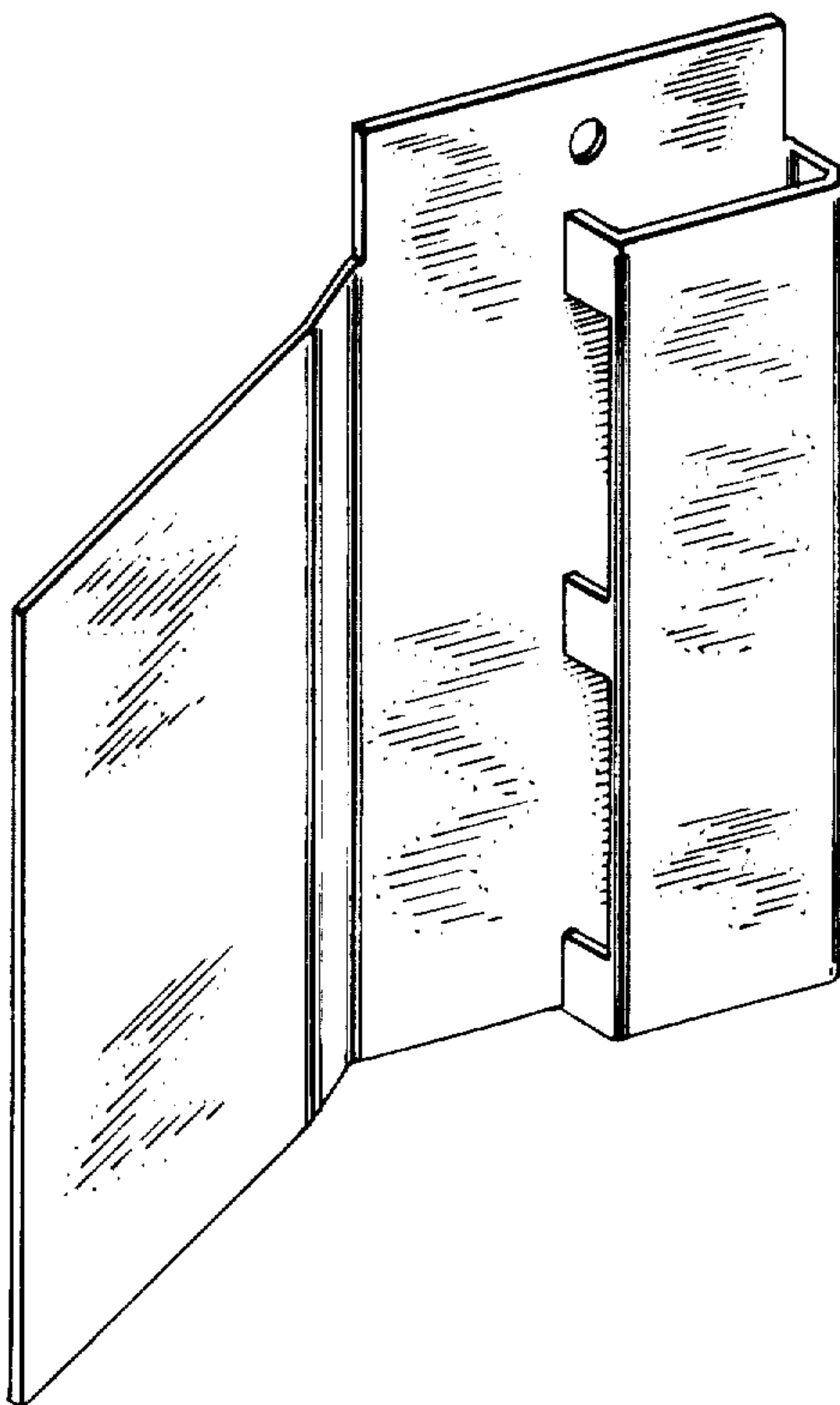
The undisclosed top plan view is substantially the same in appearance as the bottom plan view shown.

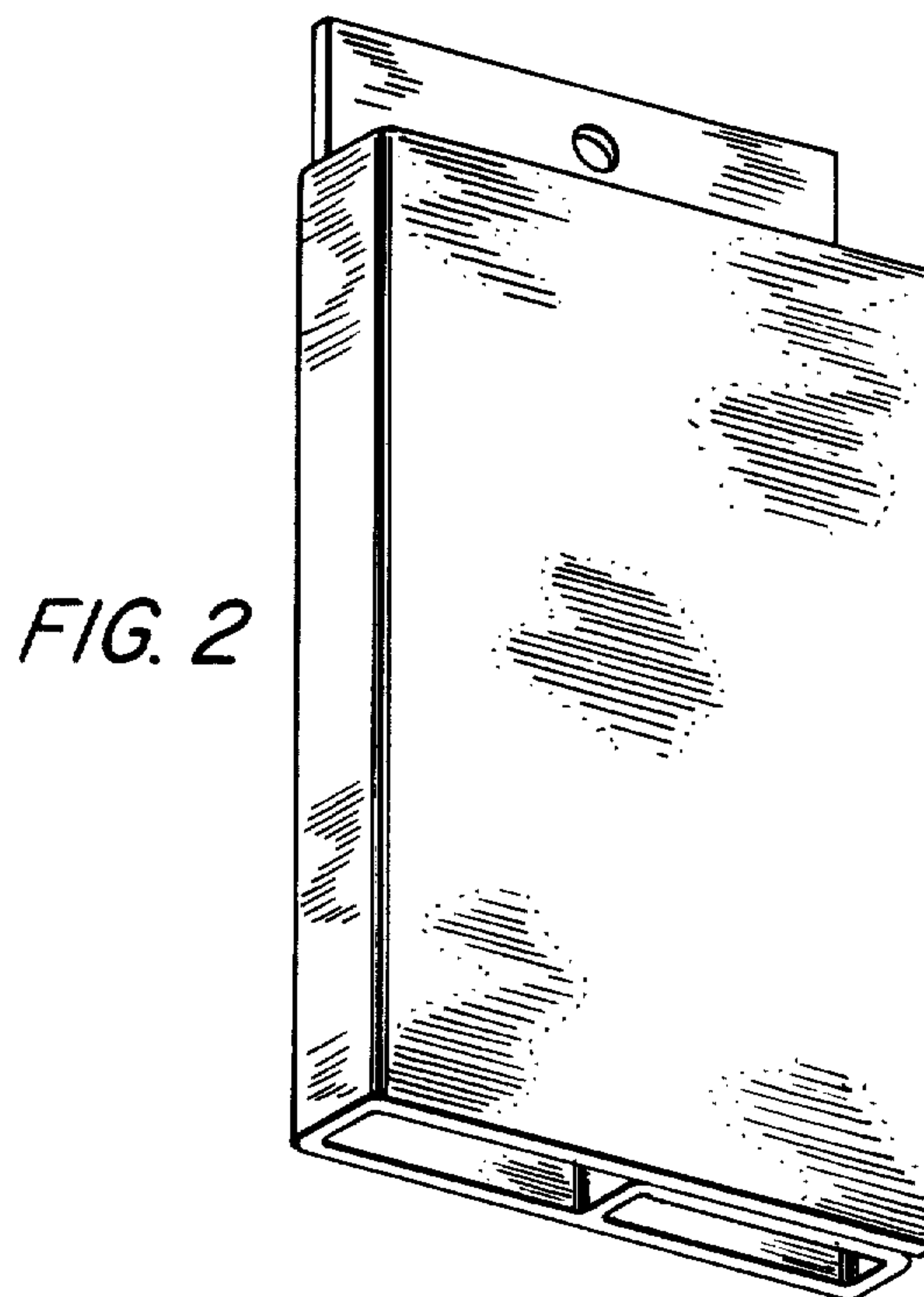
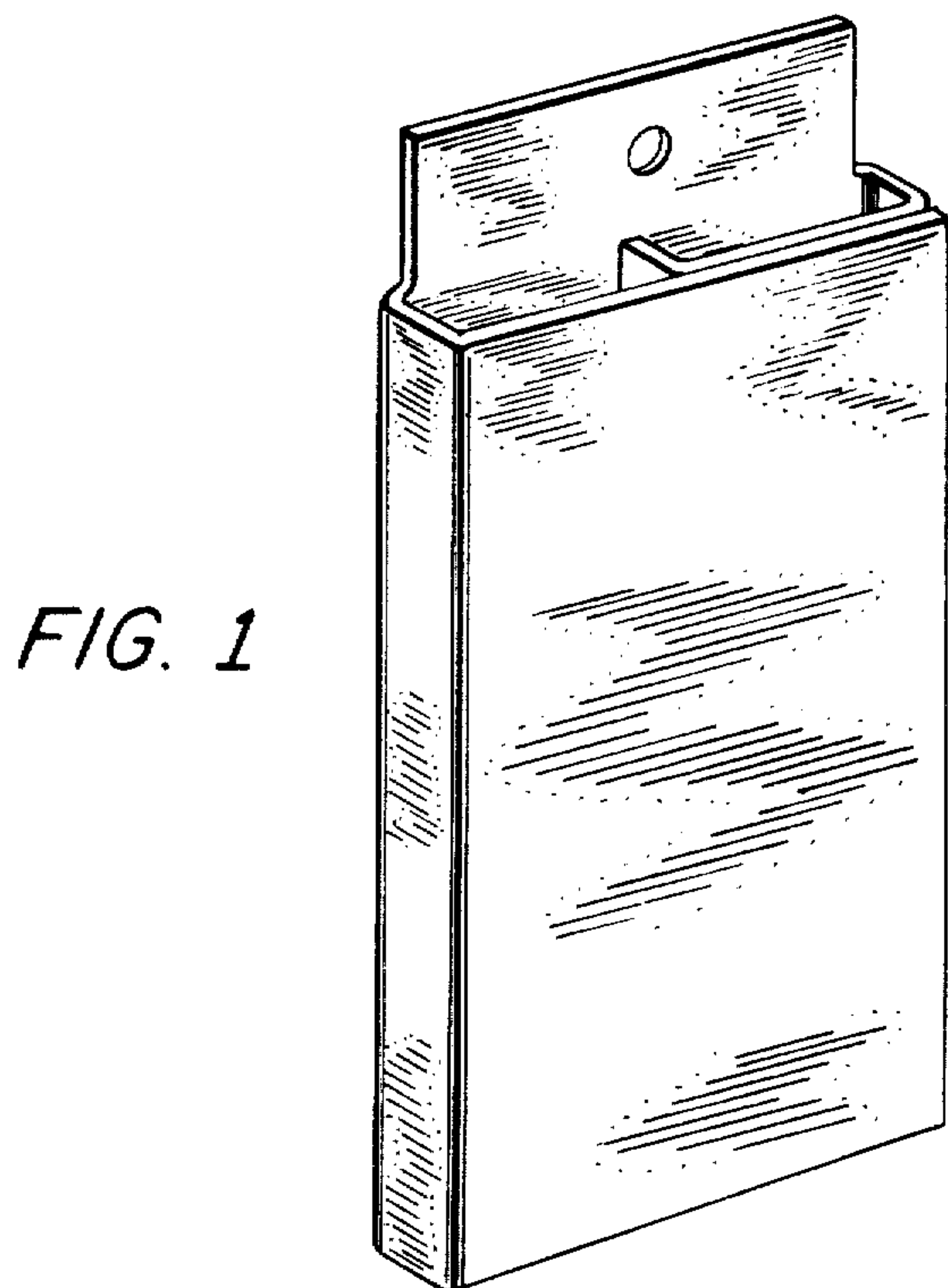
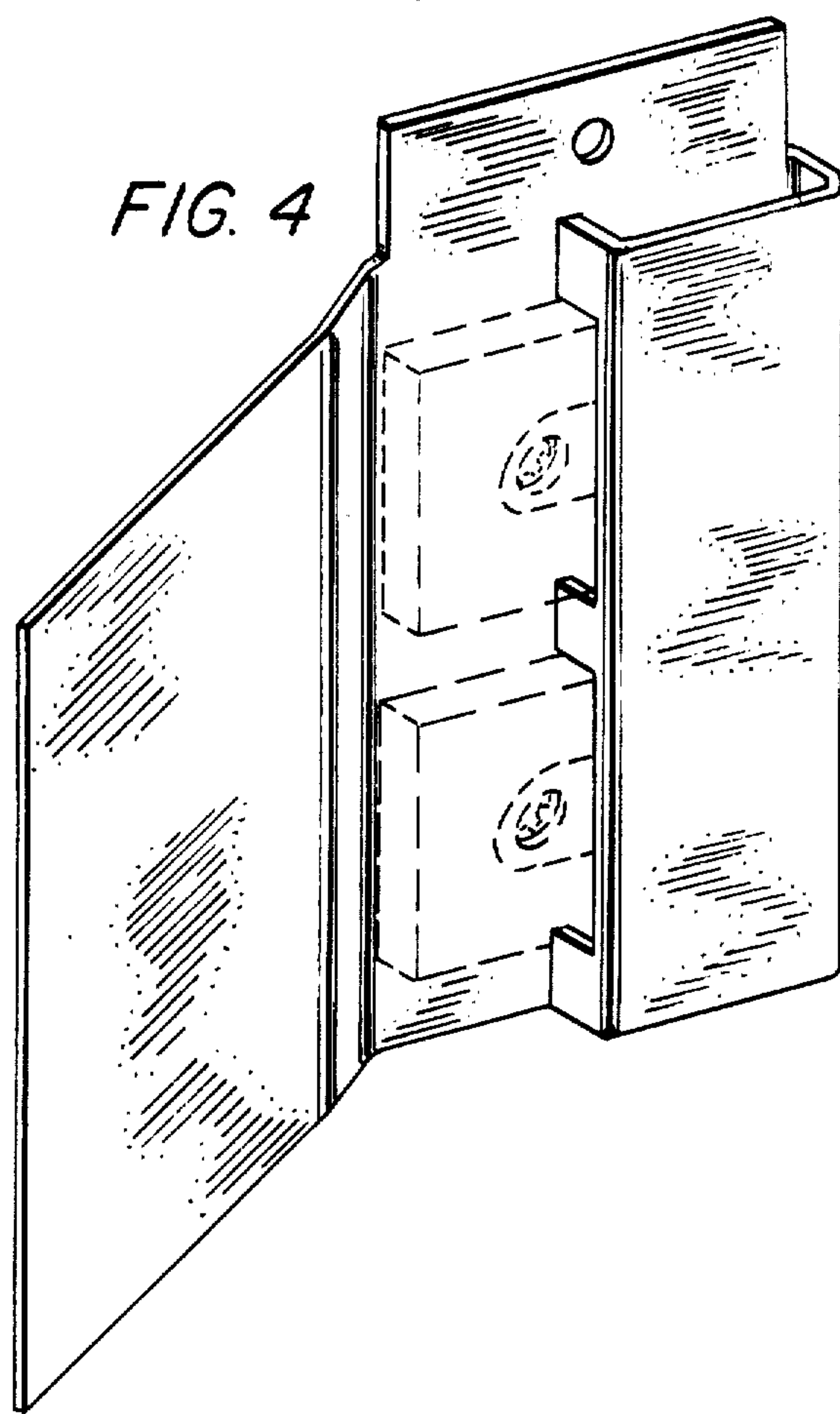
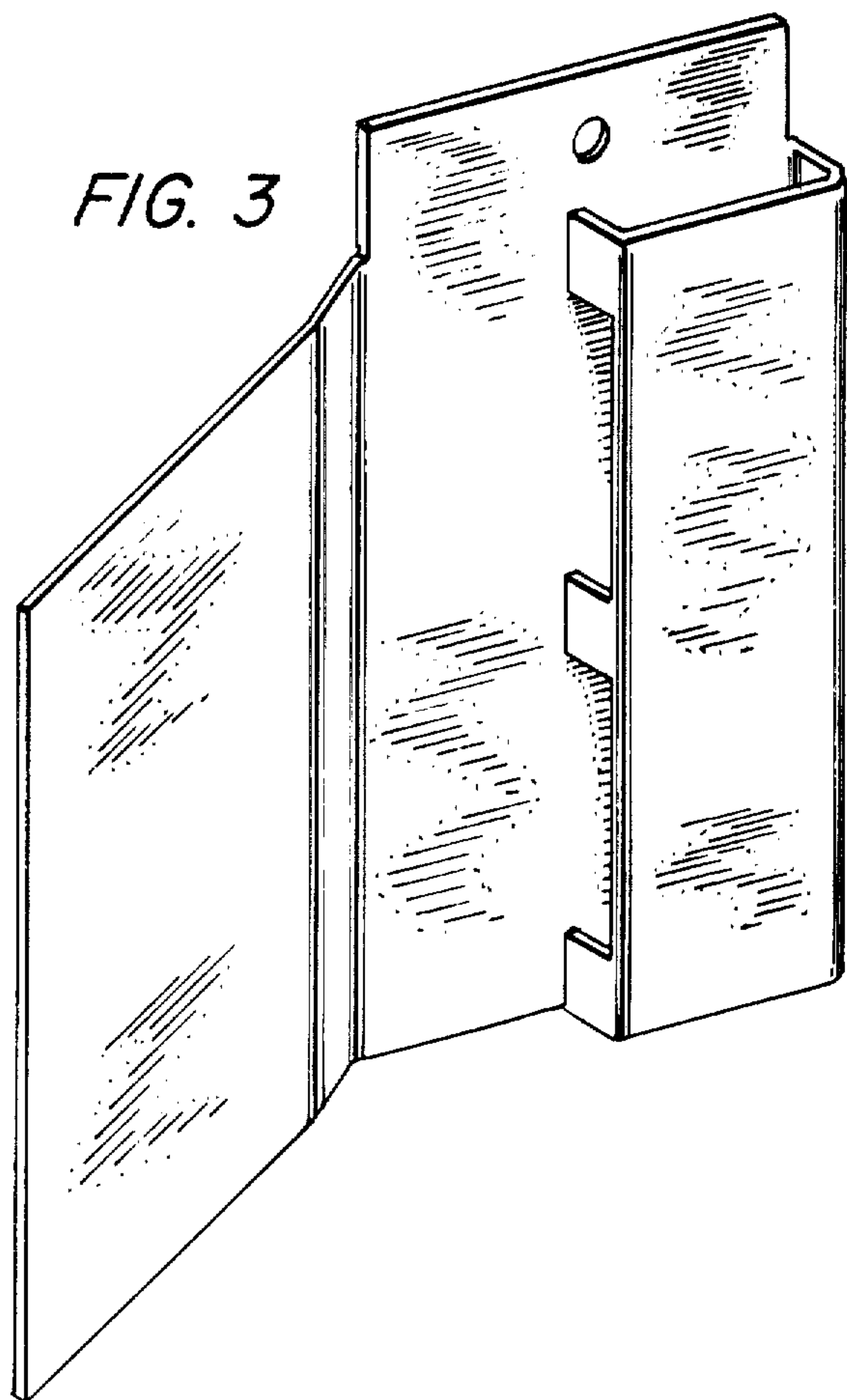
The cassettes shown in broken lines are depicted for illustrative purposes only.

[56] **References Cited**

U.S. PATENT DOCUMENTS

D. 226,146	1/1973	Price	D3/35
D. 233,374	10/1974	Heeren	D3/35
D. 233,654	11/1974	Lawlor et al.	D9/326
D. 246,550	11/1977	Herk	D3/35
D. 257,226	10/1980	Kimball	D9/415
3,211,282	10/1965	Hennessey	D9/423
3,253,770	5/1966	Black	D9/432 X





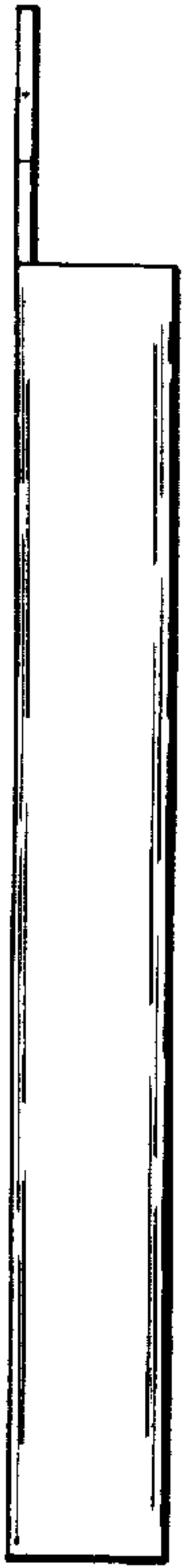


FIG. 7

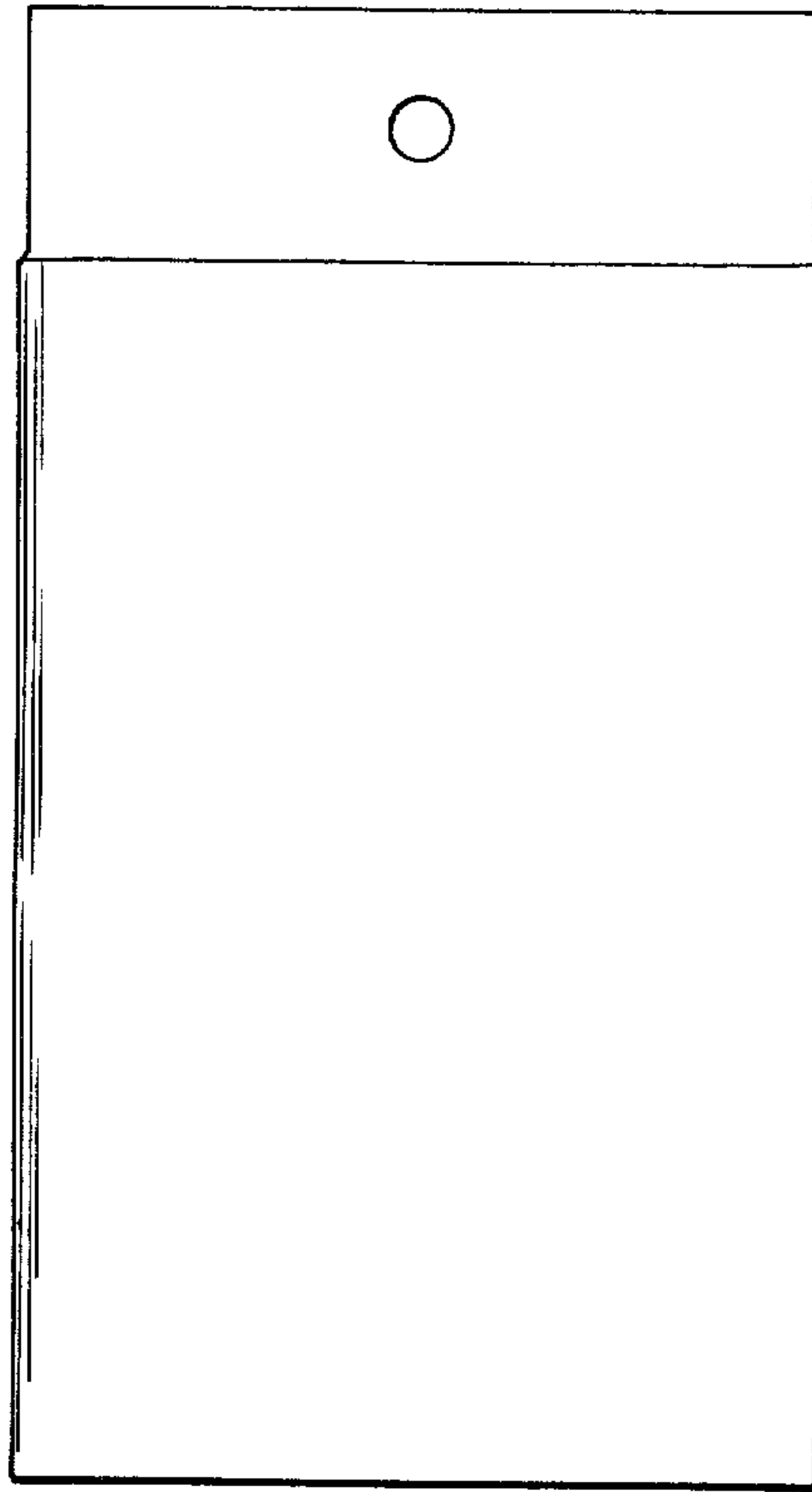


FIG. 5

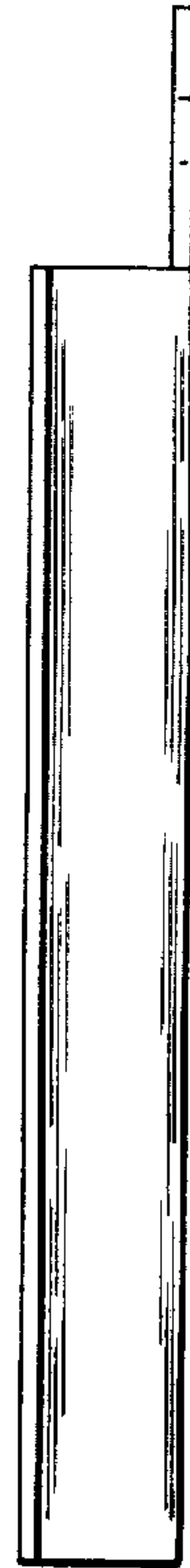


FIG. 6

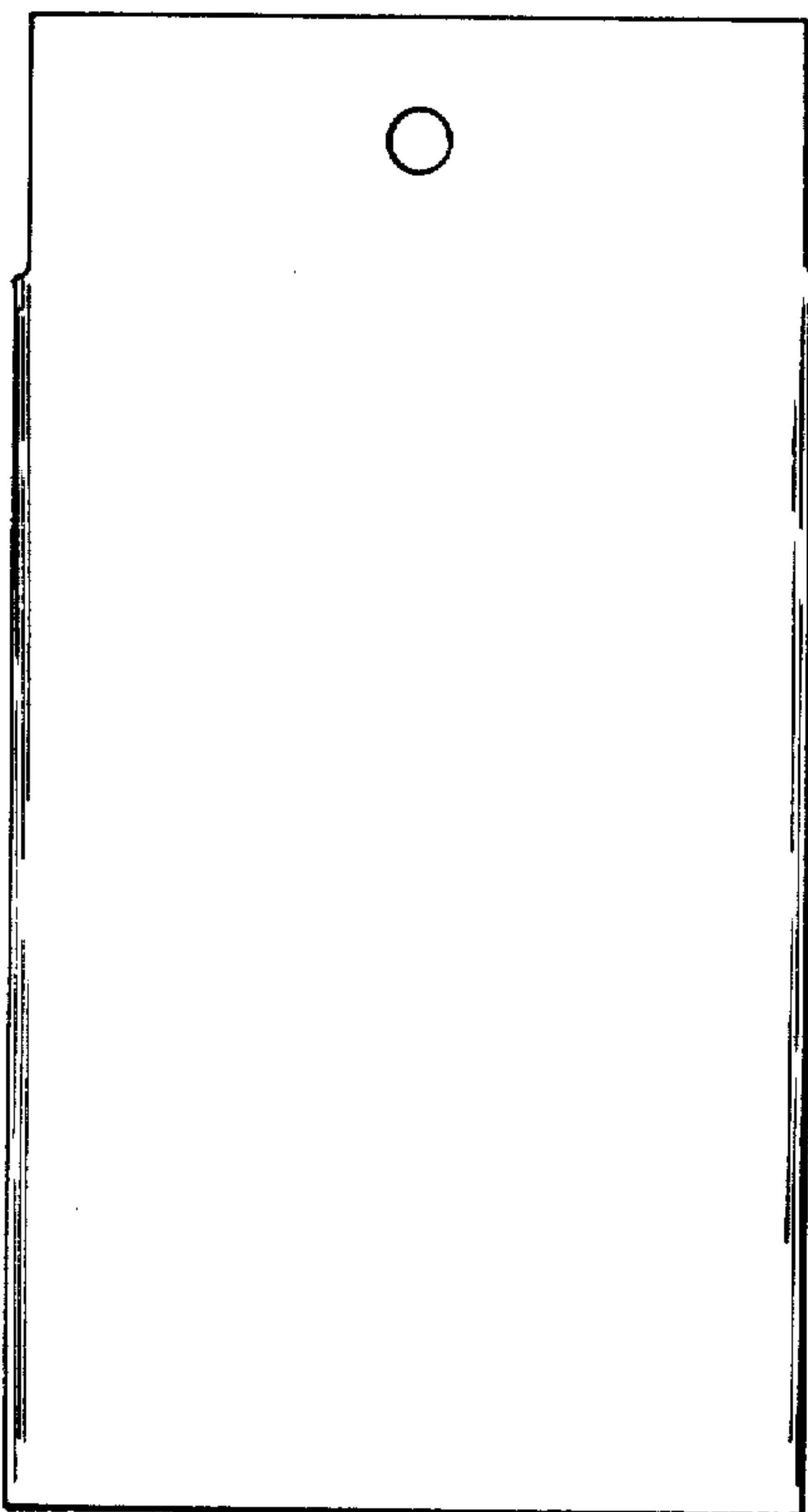


FIG. 9

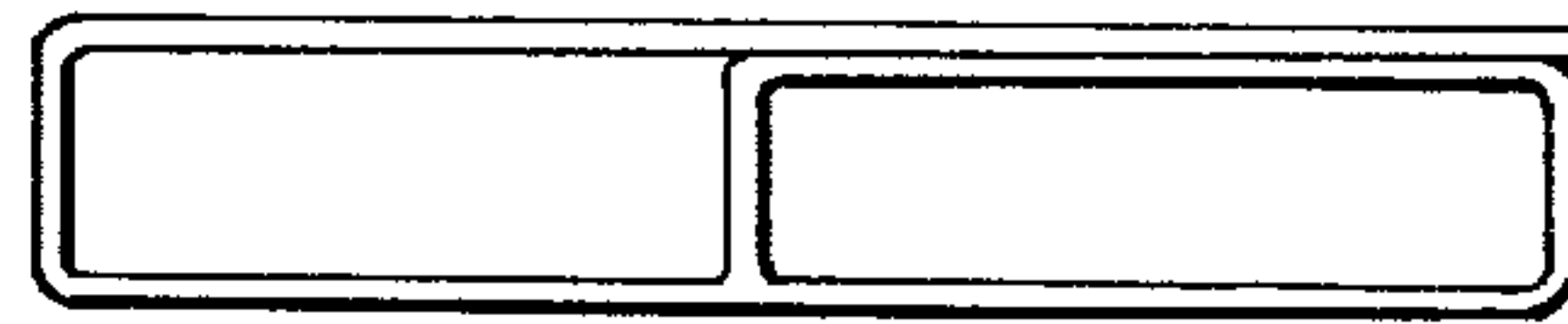


FIG. 8