

[54] PACKAGING CONTAINER FOR CASSETTES OR THE LIKE

3,487,919 1/1970 Elliott et al. D9/326 X
3,638,788 2/1972 Solomon D3/35 X

[75] Inventor: Carol A. Haubert, Upper Grandview, N.Y.

Primary Examiner—Robert C. Spangler
Attorney, Agent, or Firm—Richard M. Sharkansky;
Joseph D. Pannone

[73] Assignee: Raytheon Company, Lexington, Mass.

[57] CLAIM

[**] Term: 14 Years

The ornamental design for a packaging container for cassettes or the like, as shown and described.

[21] Appl. No.: 72,266

DESCRIPTION

[22] Filed: Sep. 4, 1979

FIG. 1 is a top, front perspective view of a packaging container for cassettes or the like embodying my new design;

[51] Int. Cl. D9-03

[52] U.S. Cl. D9/341; D9/415; D9/420; D3/35

FIG. 2 is a bottom, front perspective view;

[58] Field of Search D3/35; 206/387; D9/305, D9/326, 341, 346, 415, 420, 432, 423

FIG. 3 is a front perspective view in a partially open position;

[56] References Cited

U.S. PATENT DOCUMENTS

- D. 226,146 1/1973 Price D3/35
- D. 233,374 10/1974 Heeren D3/35
- D. 233,654 11/1974 Lawlor et al. D9/326
- D. 246,550 11/1977 Herk D3/35
- D. 257,226 10/1980 Kimball D9/415
- 3,211,282 10/1965 Hennessey D9/423
- 3,253,770 5/1966 Black D9/432 X

FIG. 4 is another front perspective view in a partially open position;

FIG. 5 is a front elevational view;

FIG. 6 is a right side elevational view;

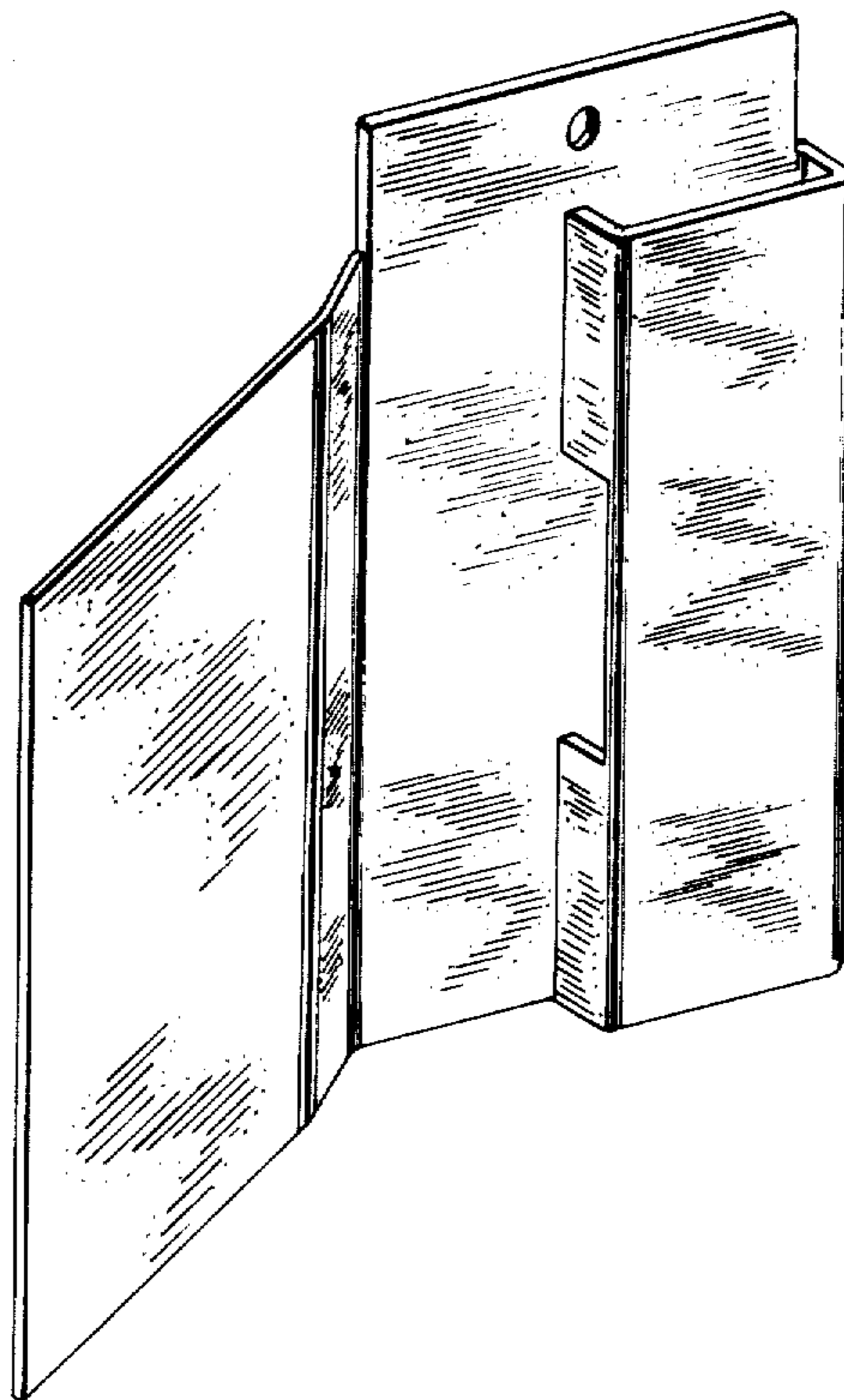
FIG. 7 is a left side elevational view;

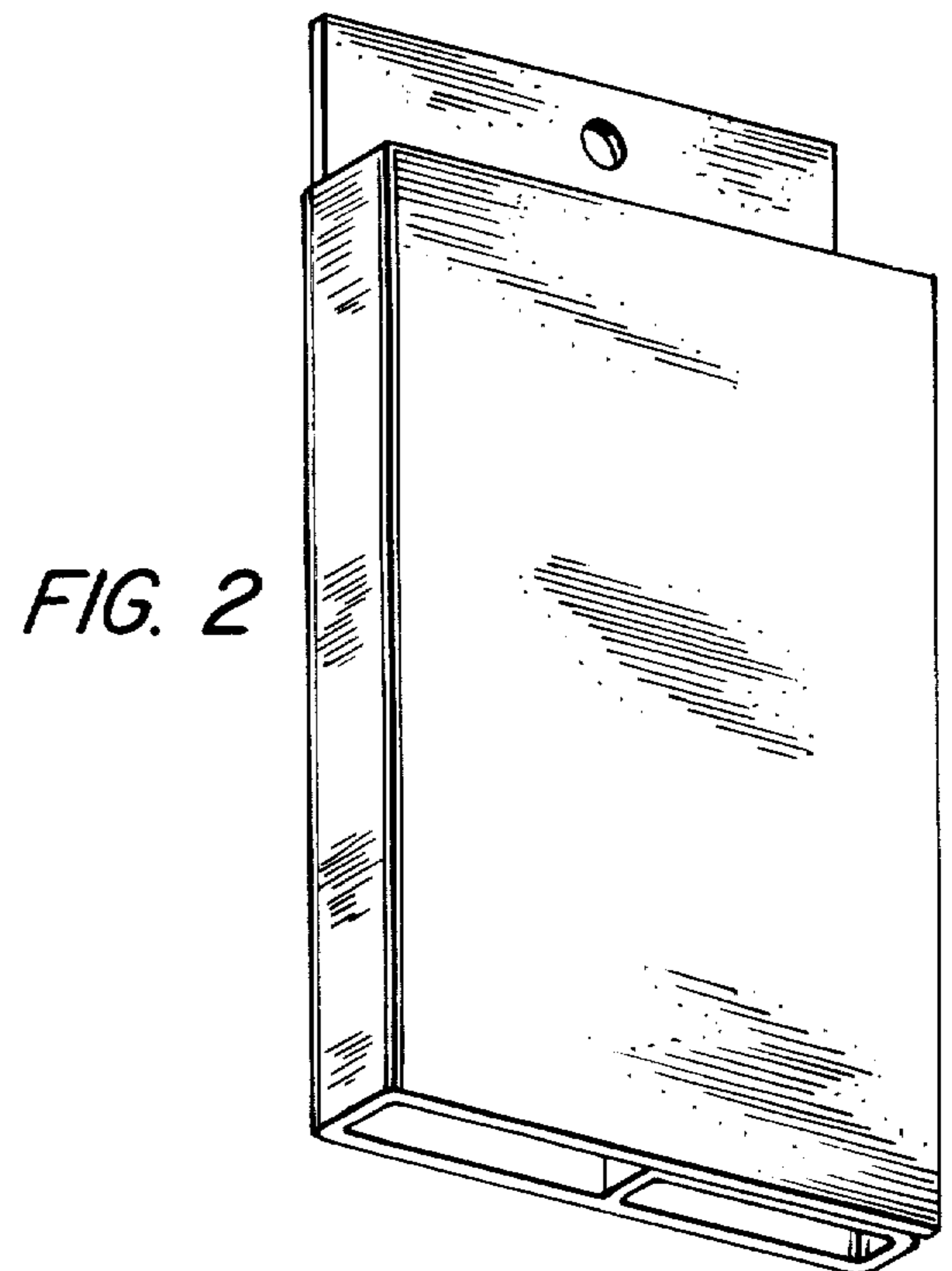
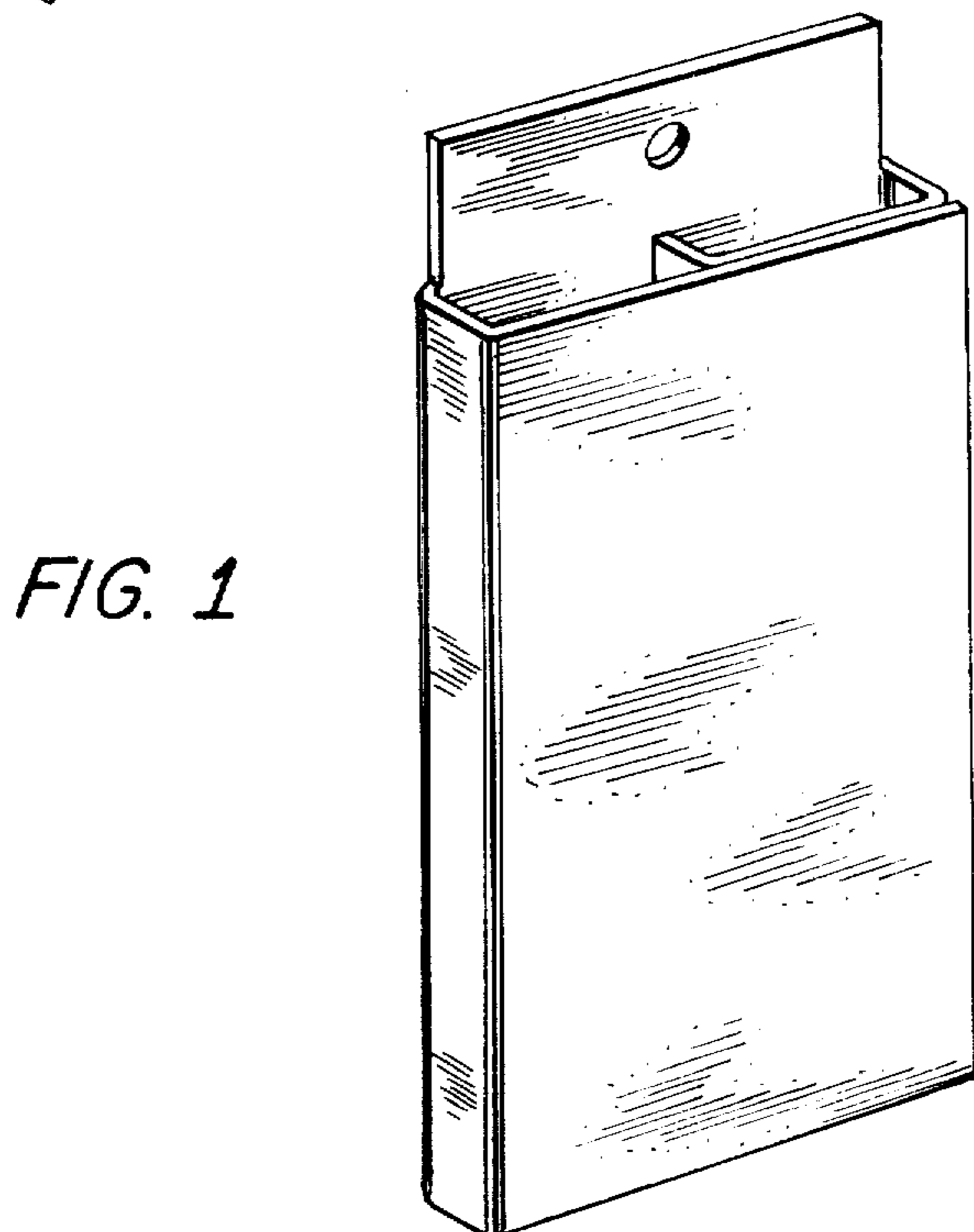
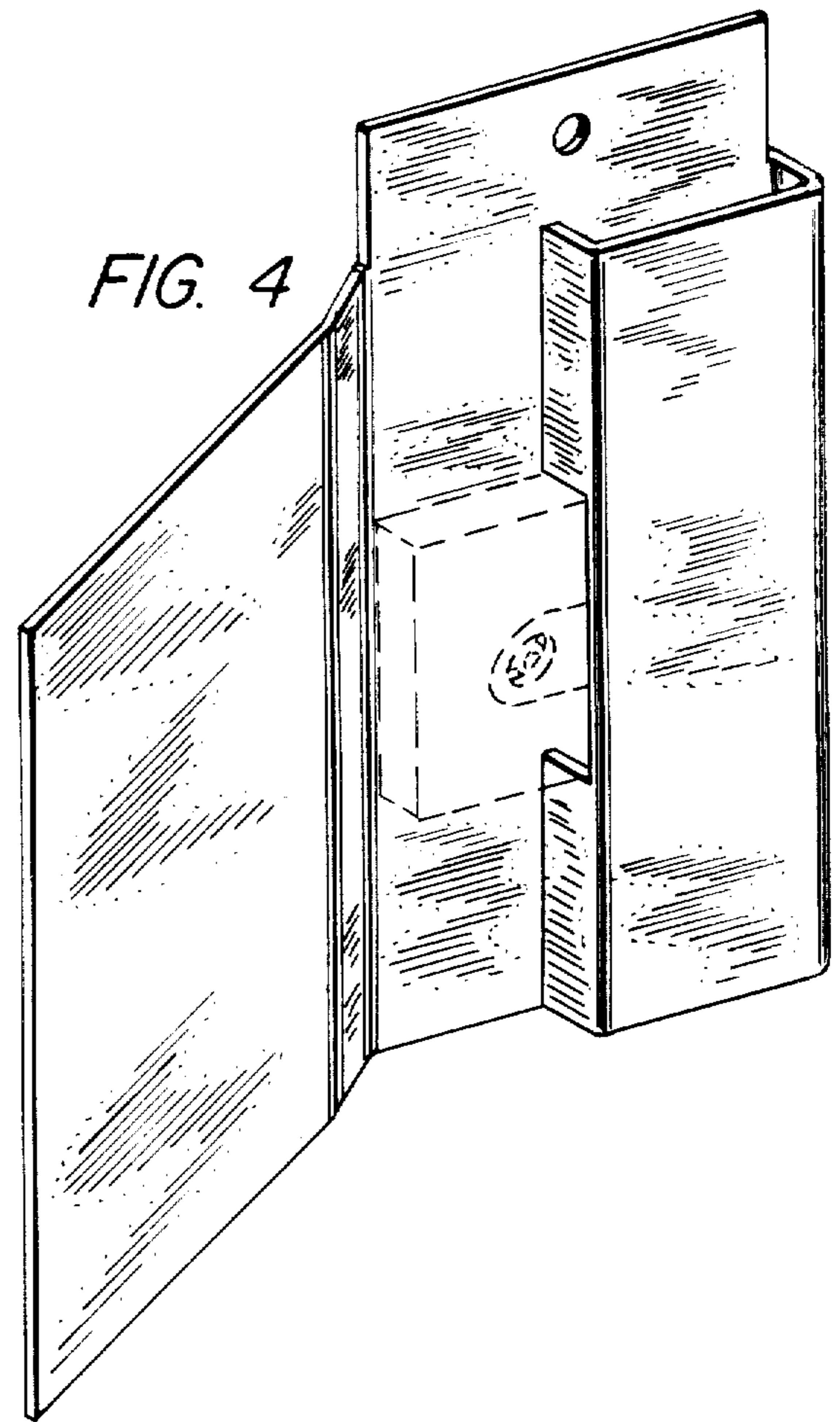
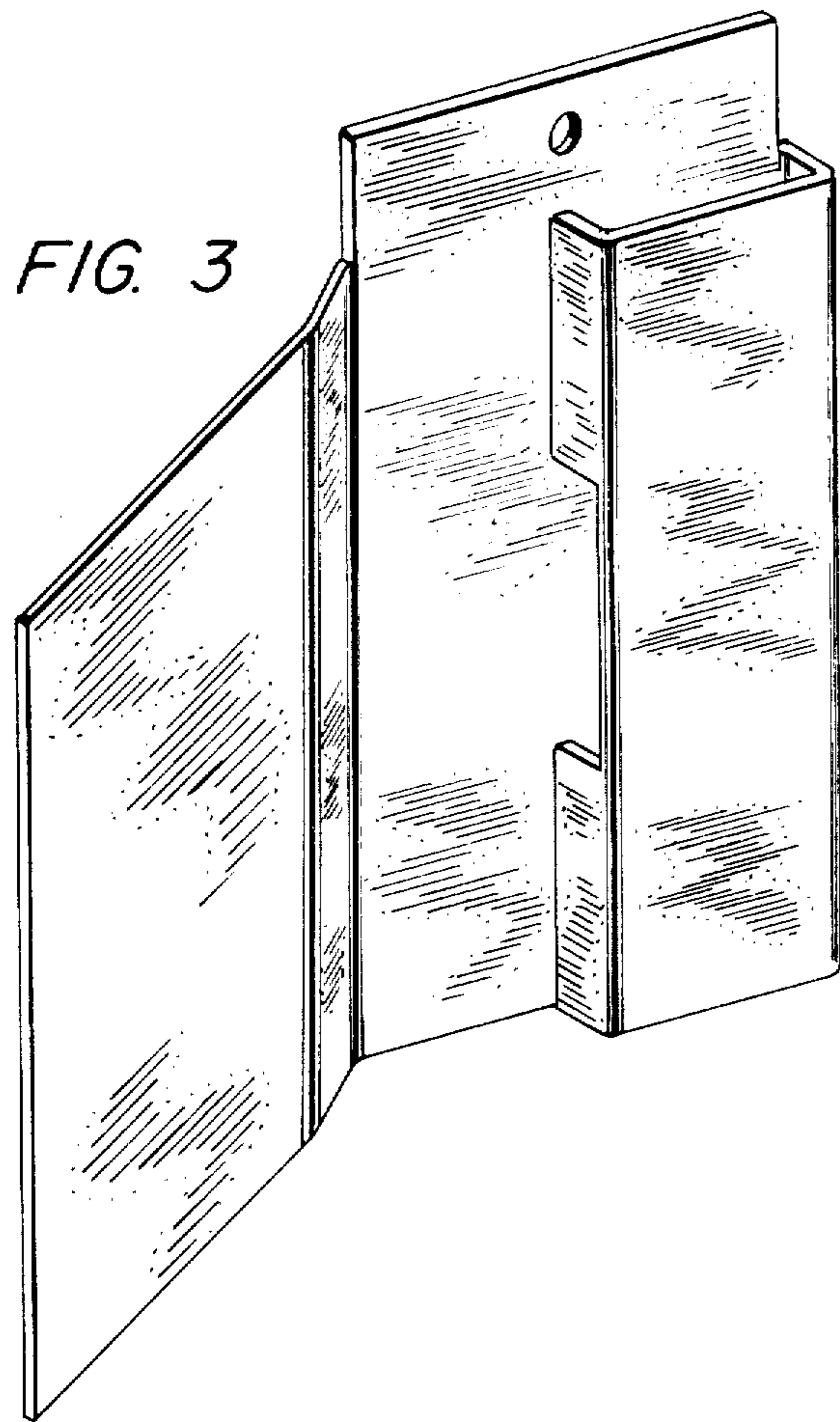
FIG. 8 is a bottom plan view; and

FIG. 9 is a rear elevational view thereof.

The undisclosed top plan view is substantially the same in appearance as the bottom plan view shown.

The cassette shown in broken lines is depicted for illustrative purposes only.





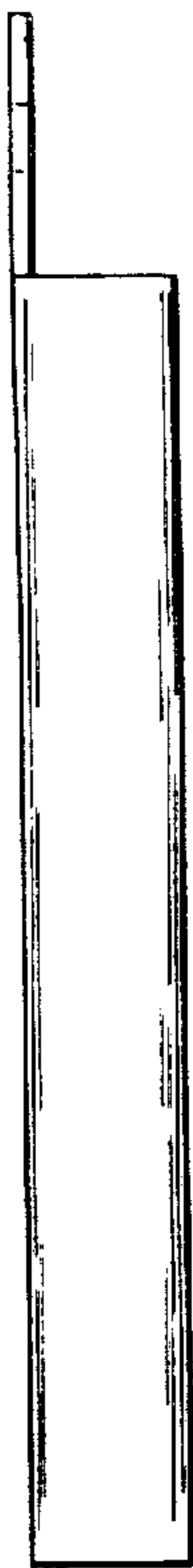


FIG. 7

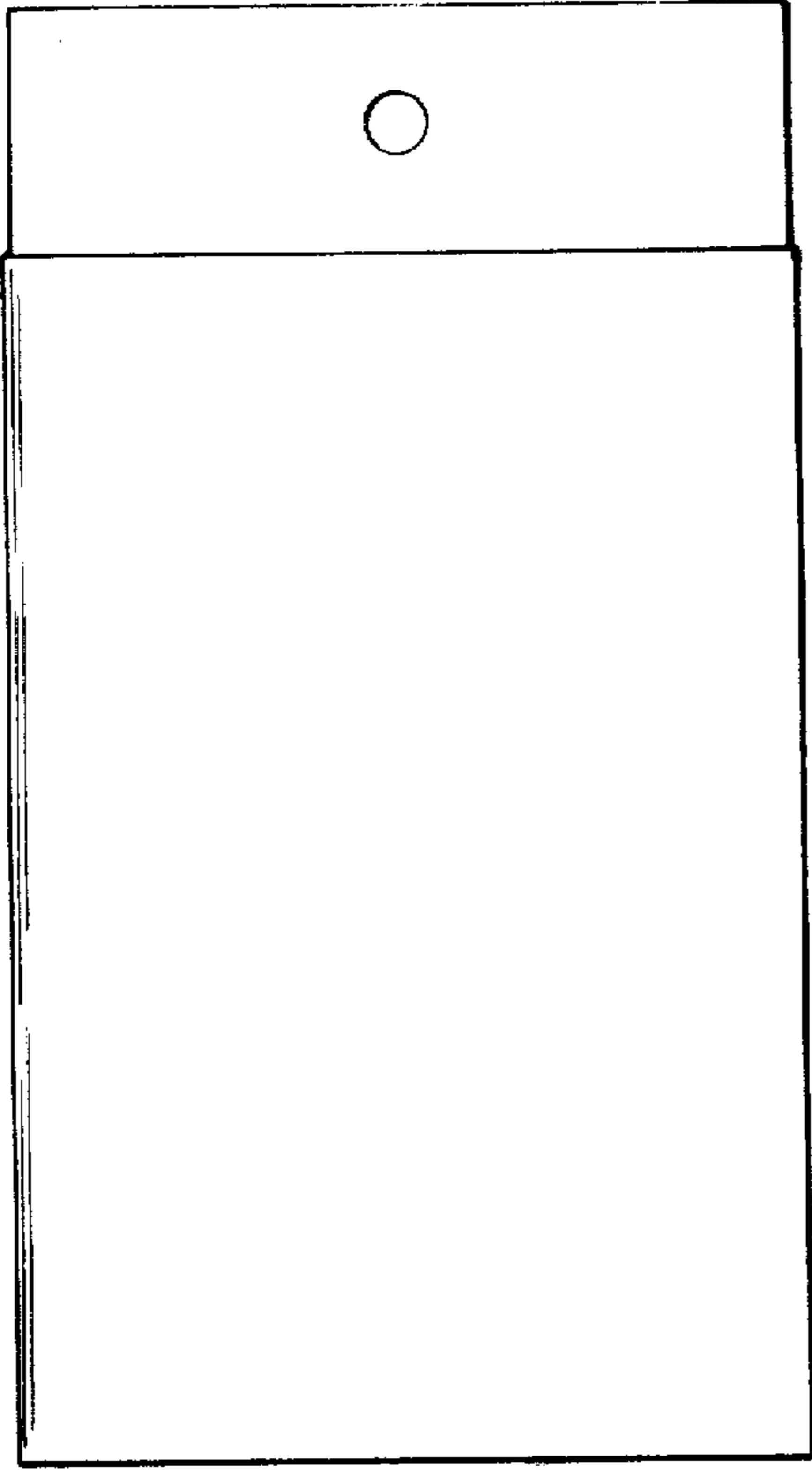


FIG. 5



FIG. 6

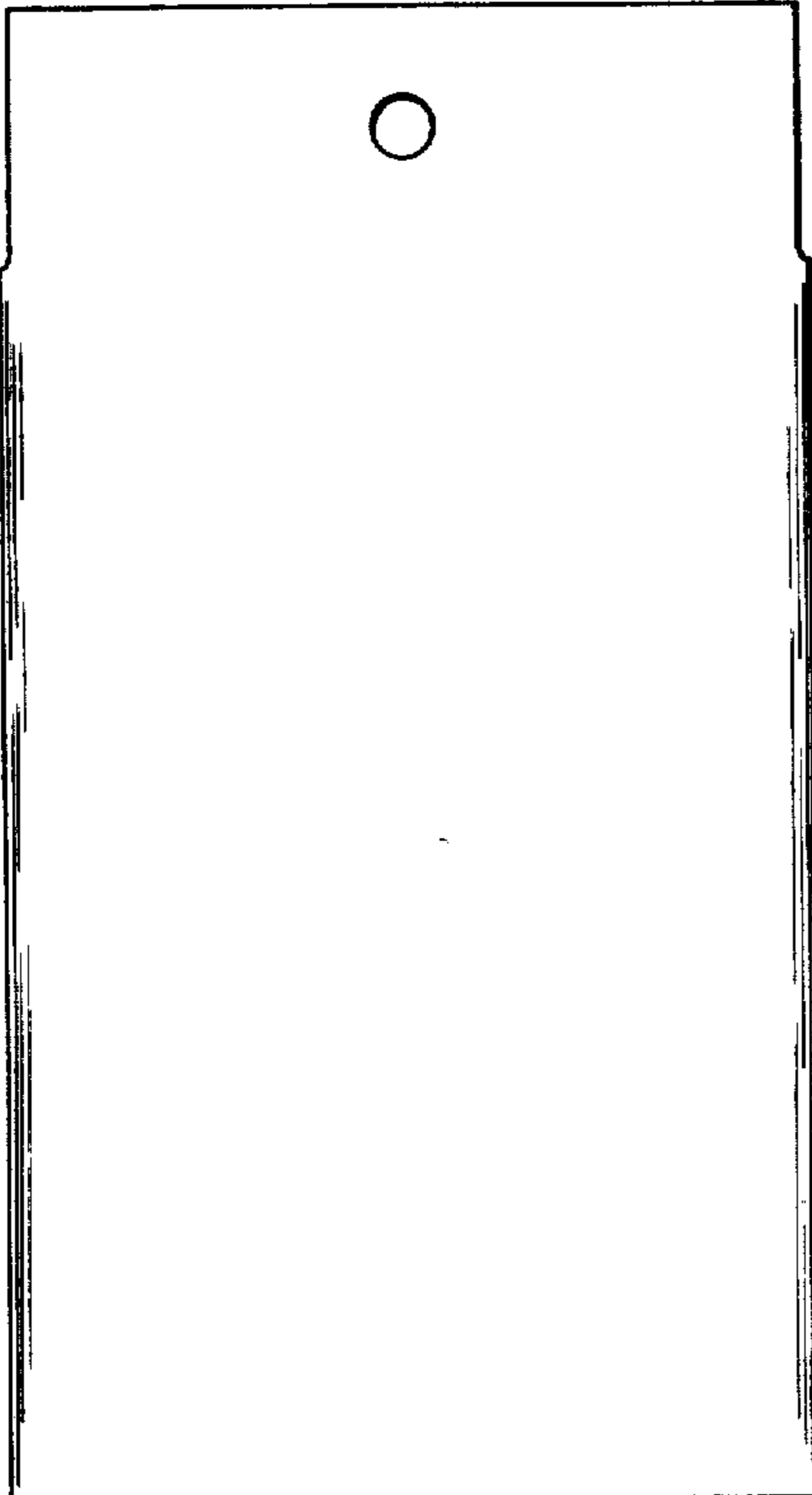


FIG. 9



FIG. 8