

[54] COMBINED SHIPPING, STORAGE AND SERVING UNIT FOR BOTTLES OF WINE OR THE LIKE

[75] Inventor: Philip Marks, New York, N.Y.

[73] Assignee: Advertising Displays Corporation, Englewood Cliffs, N.J.

[**] Term: 14 Years

[21] Appl. No.: 3,686

[22] Filed: Jan. 15, 1979

[51] Int. Cl. D9-03

[52] U.S. Cl. D9/341; D9/432; D9/418

[58] Field of Search D6/191, 199, 188, 189, D6/191, 199; D9/223, 184, 187, 189, 224, 193, 221, 222; D7/71

[56] References Cited

U.S. PATENT DOCUMENTS

- D. 159,130 6/1950 Auger D9/223 X
- D. 167,688 9/1952 Hommer D9/221
- D. 238,147 12/1975 Vartiainen et al. D9/223
- D. 249,214 9/1978 Rothman D6/189
- D. 250,860 1/1979 Castro D6/199 X
- D. 254,479 3/1980 Eilerston D9/224

838,031 12/1906 Kirkpatrick D9/187 X

OTHER PUBLICATIONS

Package Power for Liquor and Wine, Winter 1975, p. 109, Box With Two Bottles in upper right corner.

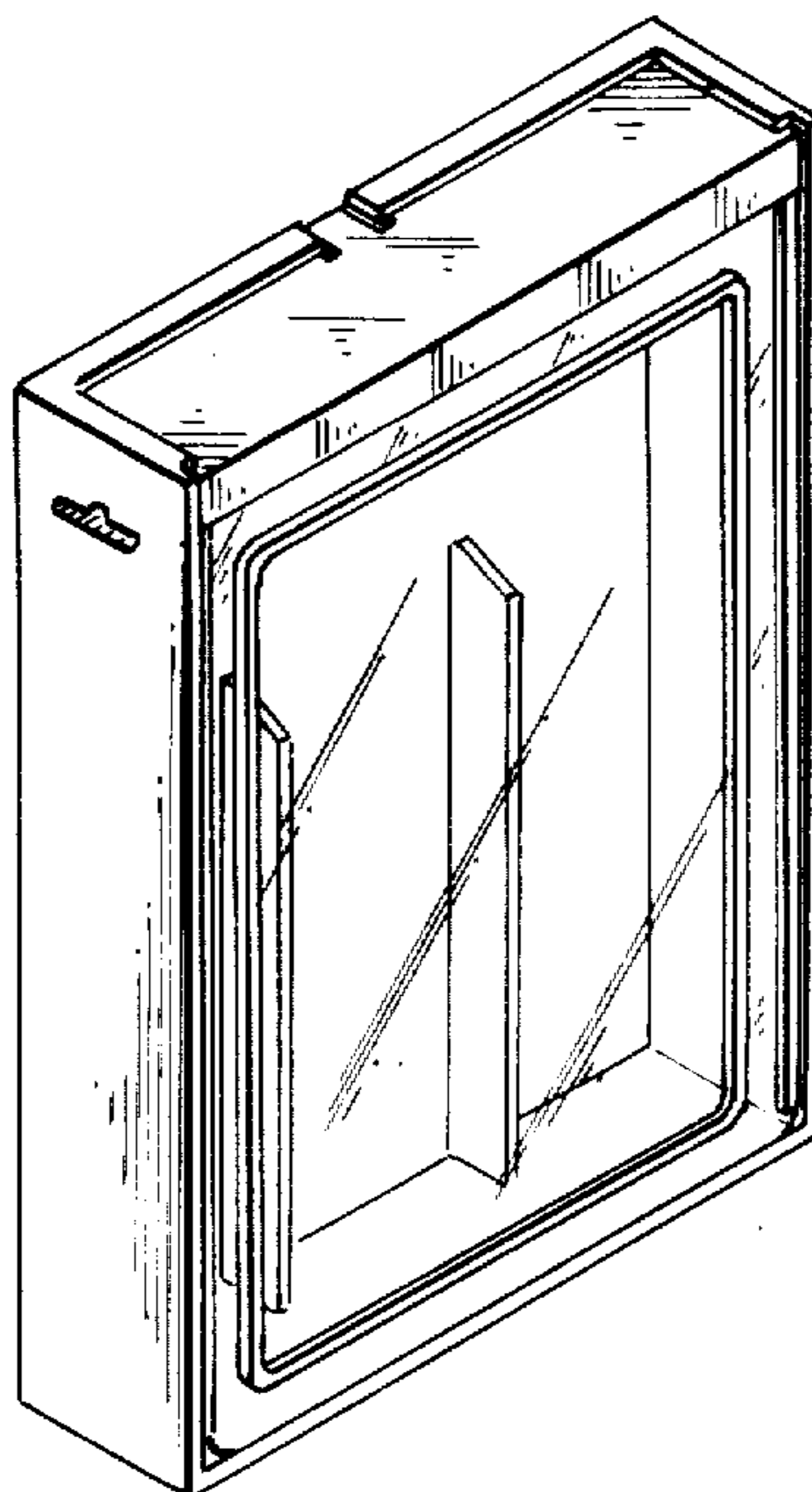
Primary Examiner—Robert C. Spangler
Attorney, Agent, or Firm—Ladas & Parry

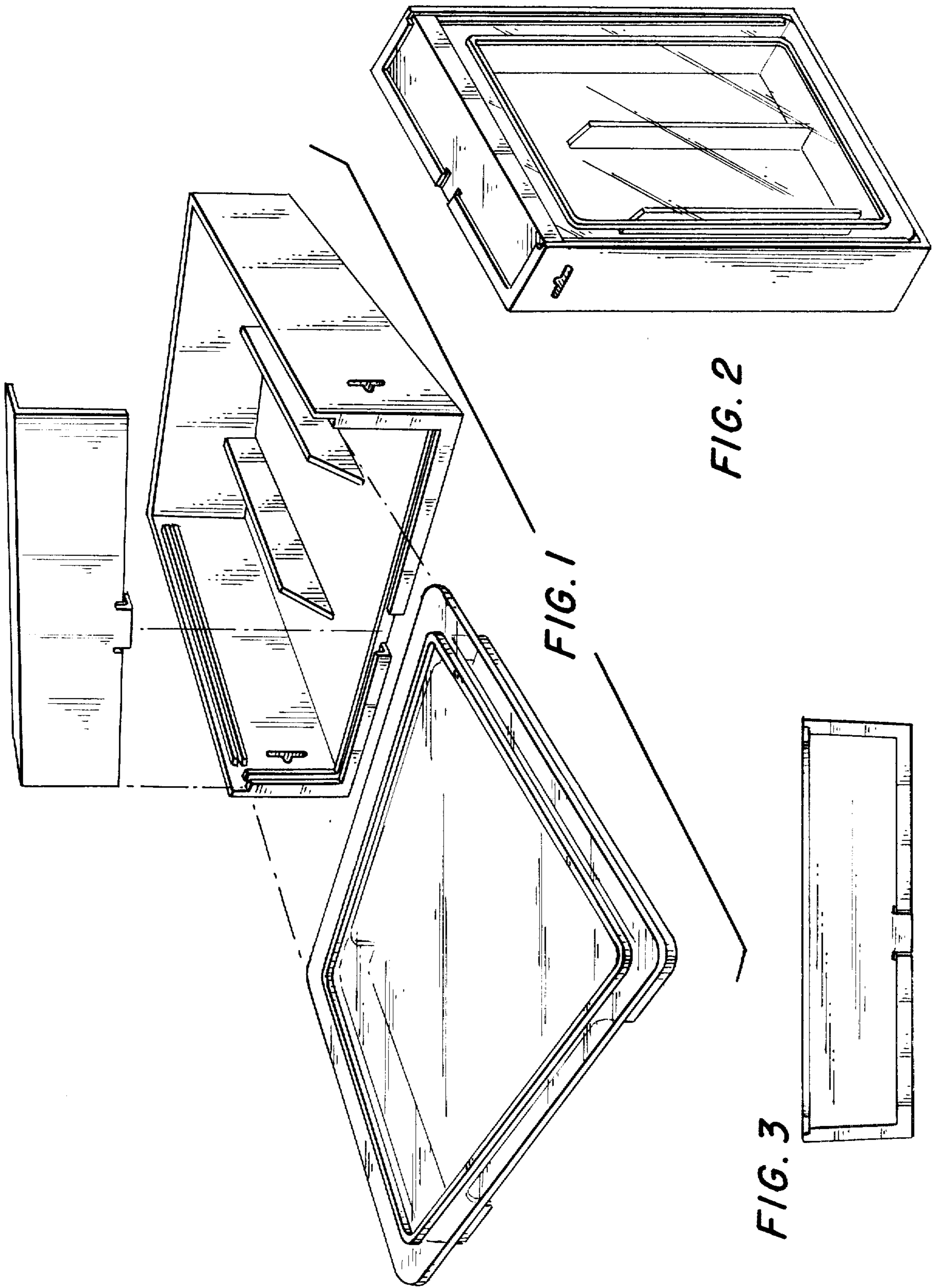
[57] CLAIM

The ornamental design for a combined shipping, storage and serving unit for bottles of wine or the like, as shown and described.

DESCRIPTION

FIG. 1 is an exploded perspective view of a combined shipping, storage and serving unit for bottles of wine or the like showing my new design;
 FIG. 2 is a top isometric view in assembled condition;
 FIG. 3 is an end elevational view;
 FIG. 4 is a side elevational view, the opposite side being a mirror image of the side shown;
 FIG. 5 is an end view showing the end opposite that seen in FIG. 3;
 FIG. 6 is a top plan view;
 FIG. 7 is a bottom plan view;
 FIG. 8 is an end elevational view of the cover; and
 FIG. 9 is a side elevational view thereof.





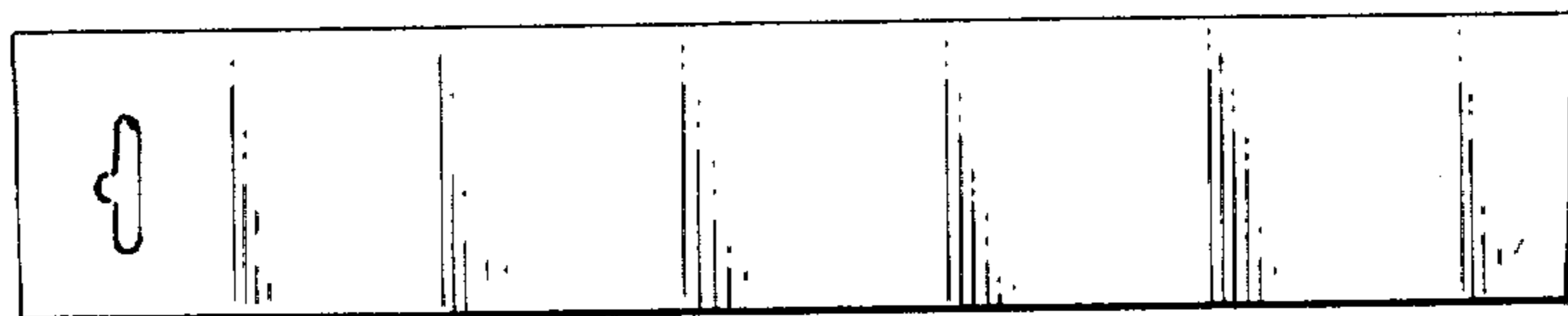


FIG. 4

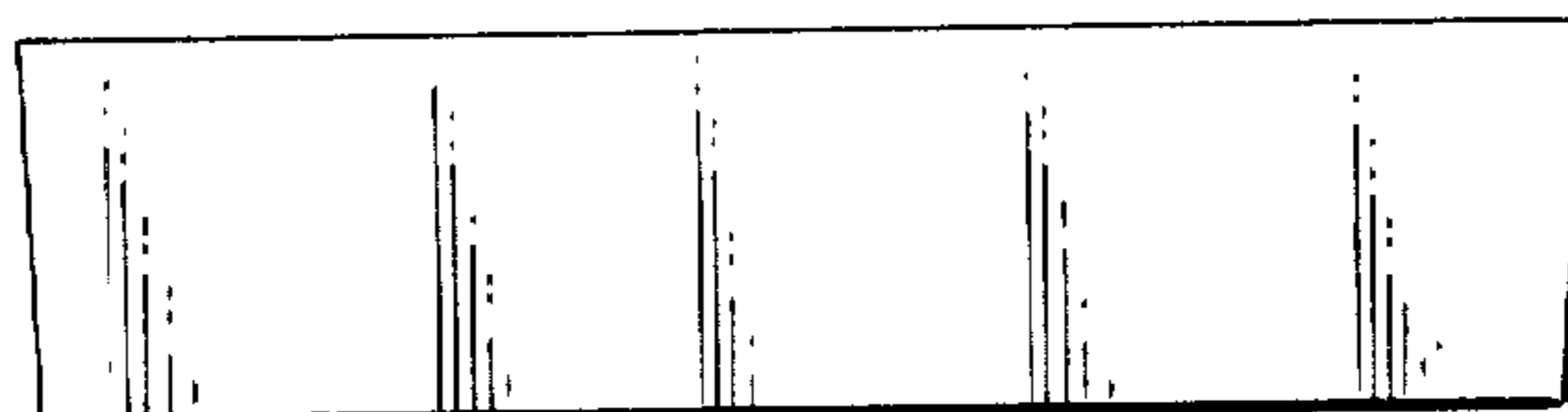


FIG. 5

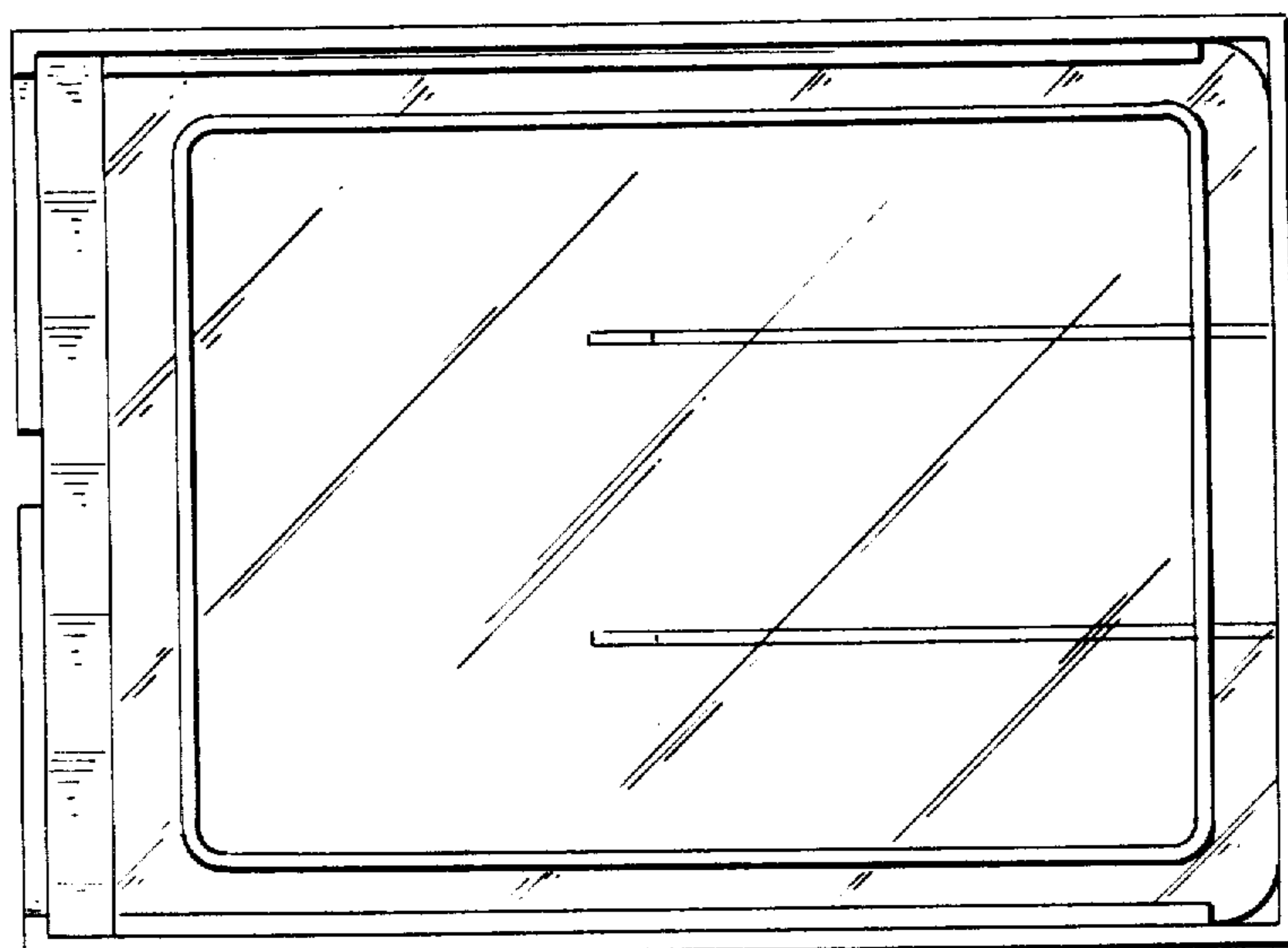


FIG. 6

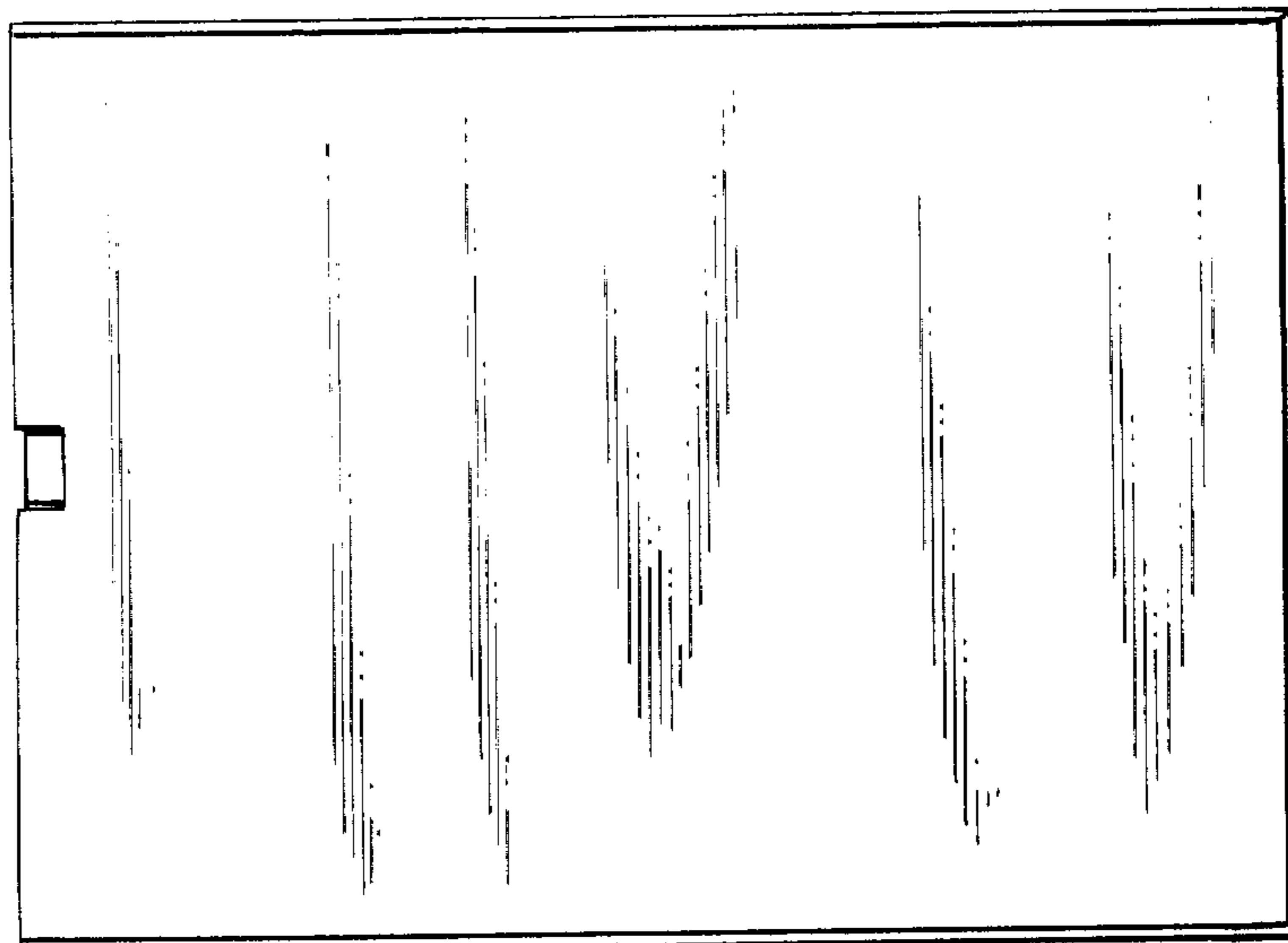


FIG. 7

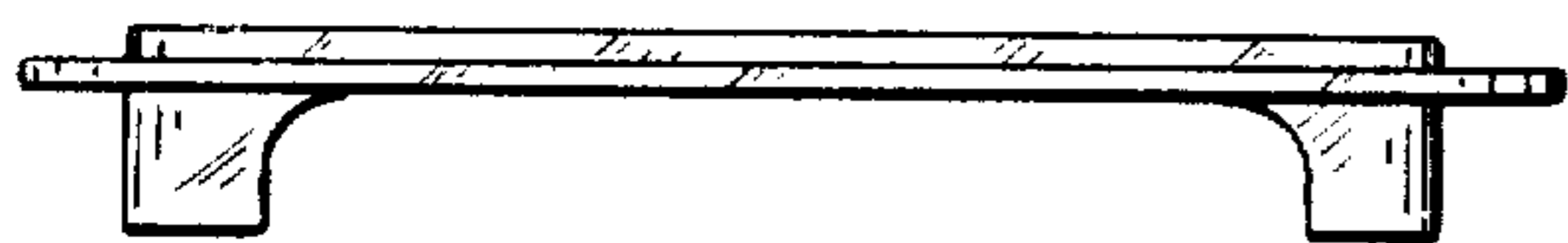


FIG. 8

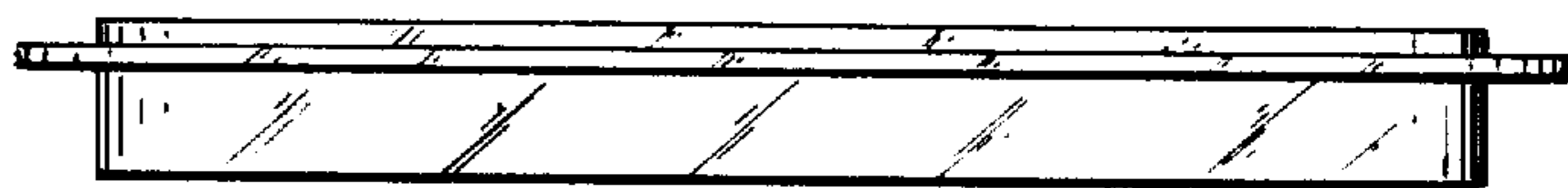


FIG. 9

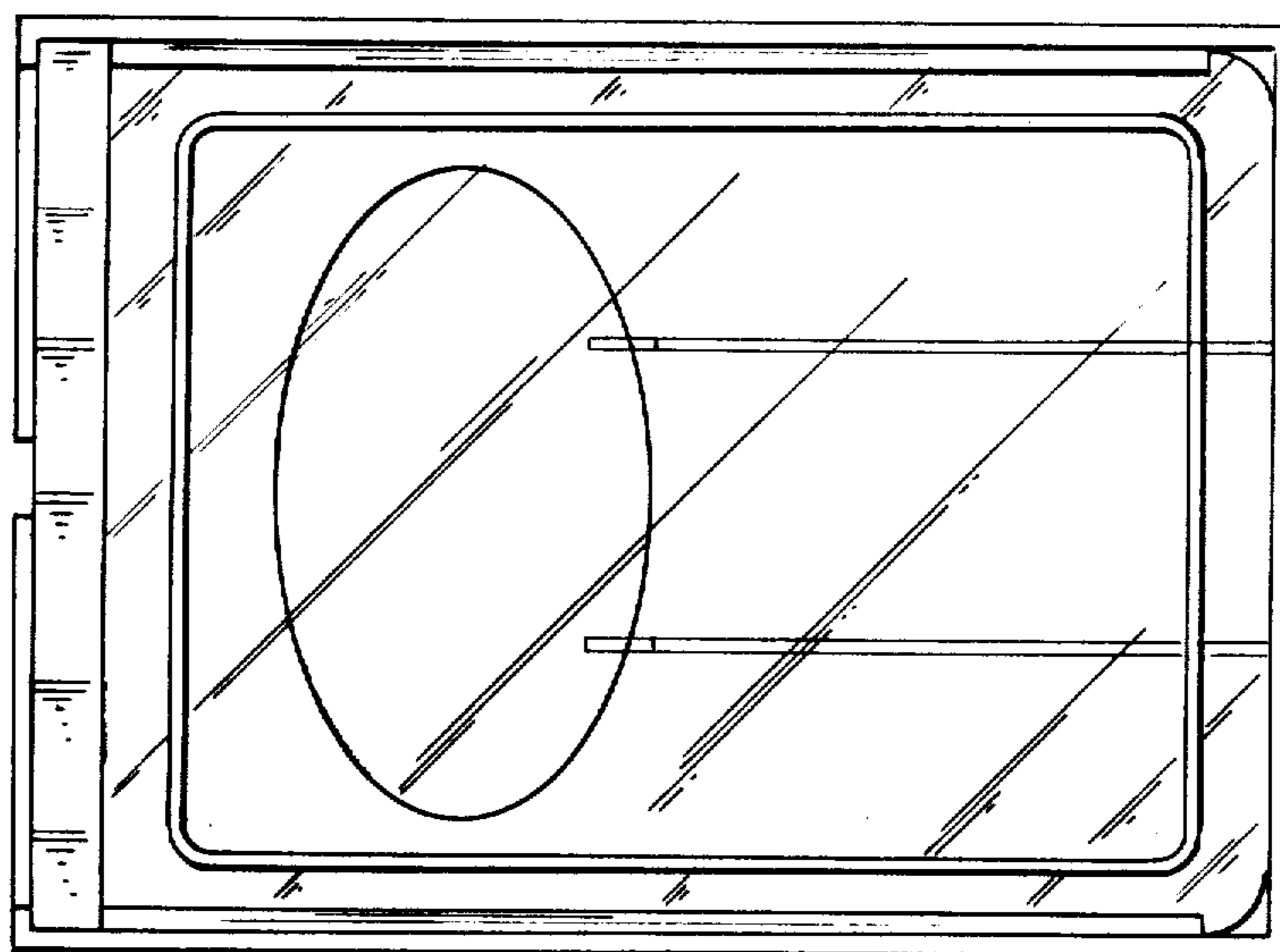


FIG. 10

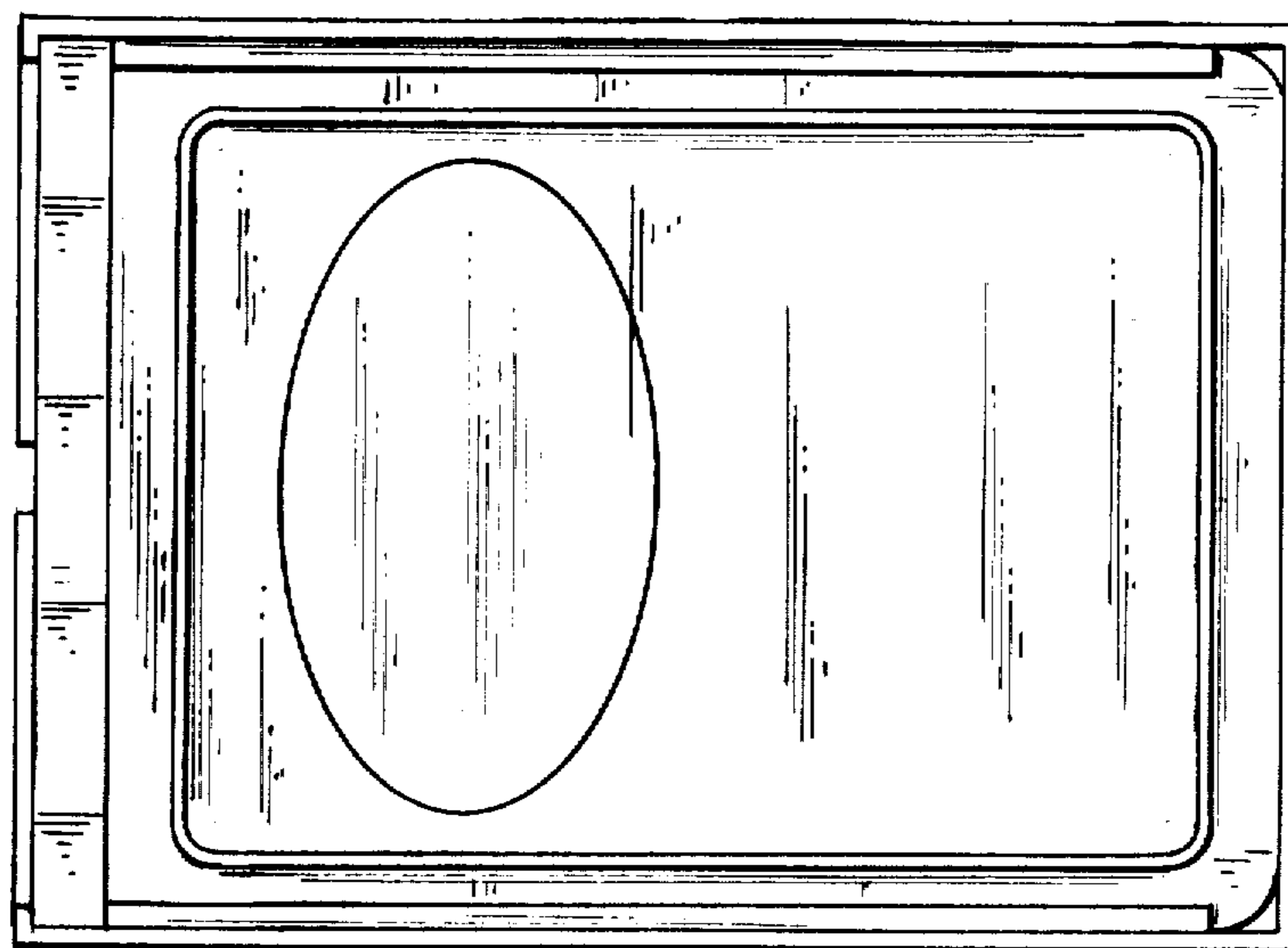


FIG. 11