

[54] SUCTION BRUSH

[75] Inventor: **Niklaus Hug**, Romanshorn,
Switzerland

[73] Assignee: **Rommag P. Wörwag & Co.**,
Romanshorn, Switzerland

[**] Term: **14 Years**

[21] Appl. No.: **47,923**

[22] Filed: **Jun. 12, 1979**

[30] **Foreign Application Priority Data**

Dec. 12, 1978 [DE] Fed. Rep. of Germany 1218

[51] Int. Cl. **D7-05**

[52] U.S. Cl. **D32/18**

[58] Field of Search **D7/161, 164;**
D15/52-55, 62-64; 15/344

[56] **References Cited**

U.S. PATENT DOCUMENTS

D. 91,865	4/1934	Frantz	D7/164
D. 103,499	3/1937	Hofmaster	D7/164
D. 255,864	7/1980	Bennett	D7/164
1,689,580	10/1928	Daddio	15/344
2,309,583	1/1943	Frantz	15/344
2,634,902	4/1953	Brown	15/330 X

Primary Examiner—Catherine E. Kemper
Attorney, Agent, or Firm—Becker & Becker, Inc.

[57] **CLAIM**

The ornamental design for a suction brush, as shown and described.

DESCRIPTION

FIG. 1 is a side perspective view of a suction brush, showing my new design;

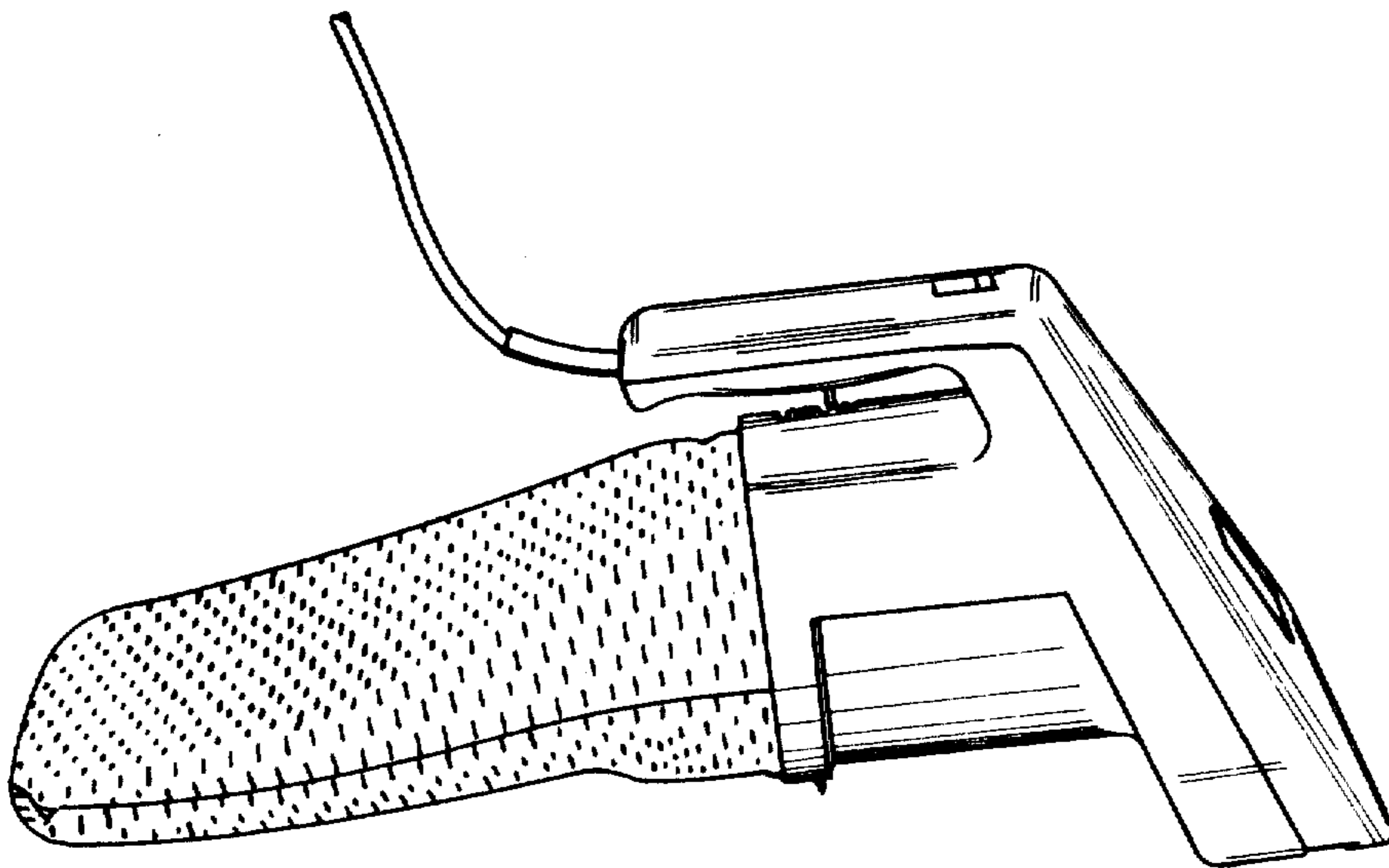
FIG. 2 is a perspective view taken from the opposite side thereof;

FIG. 3 is a front elevational view thereof;

FIG. 4 is a bottom view thereof;

FIG. 5 is a top view thereof.

The conventional electrical cord has been shown fragmentarily in all views for ease of illustration.



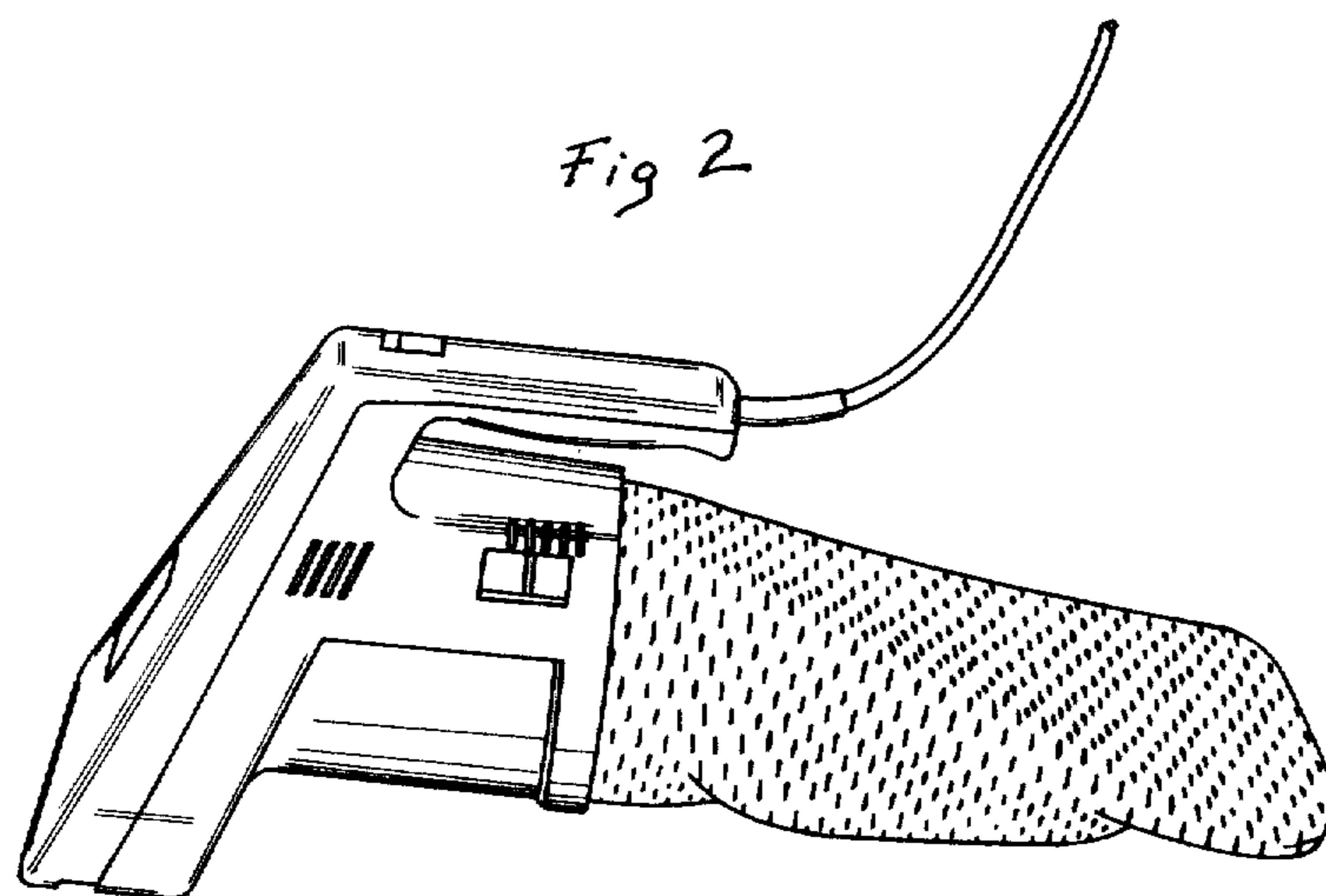
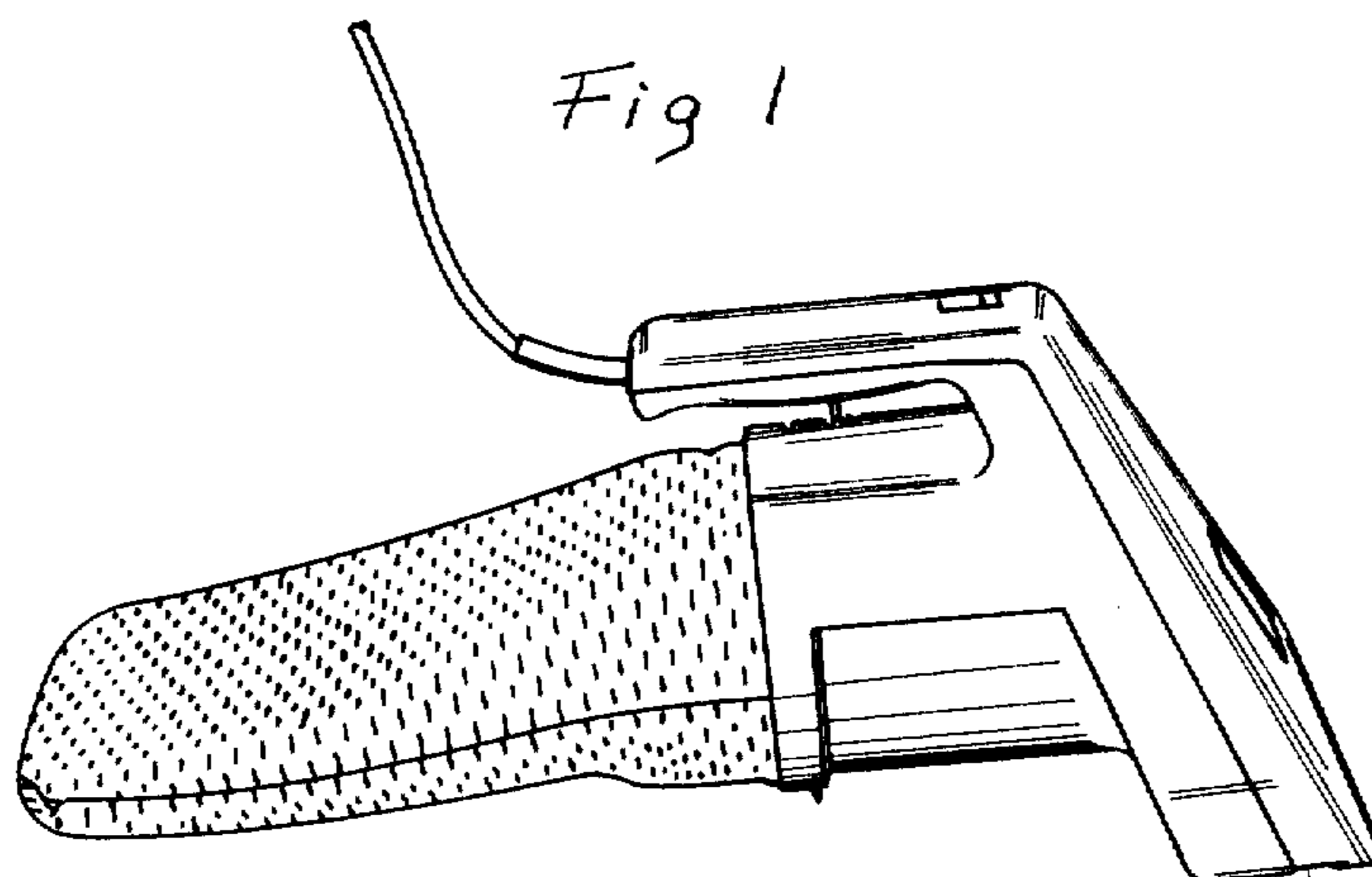


Fig 3

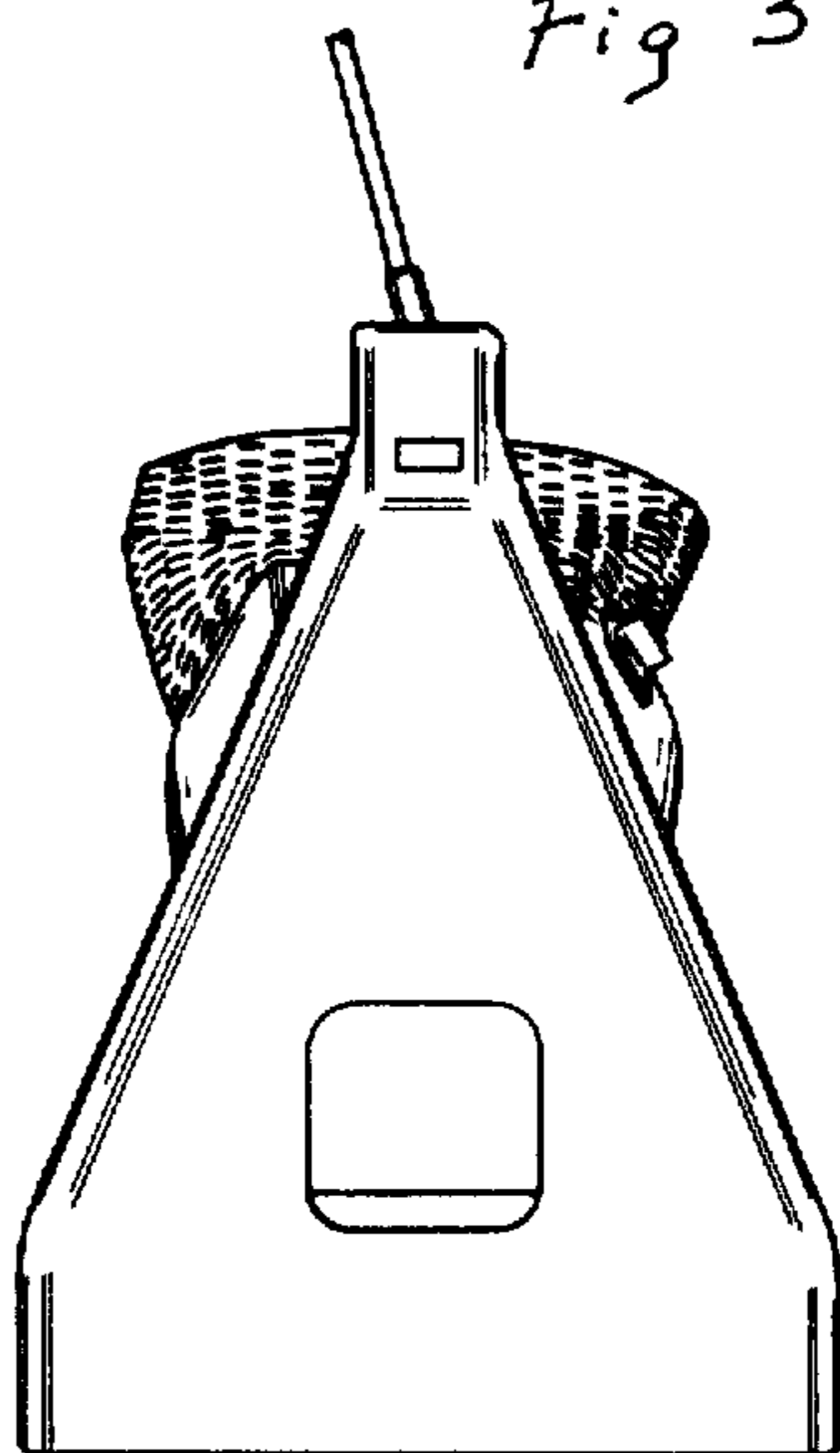


Fig 4

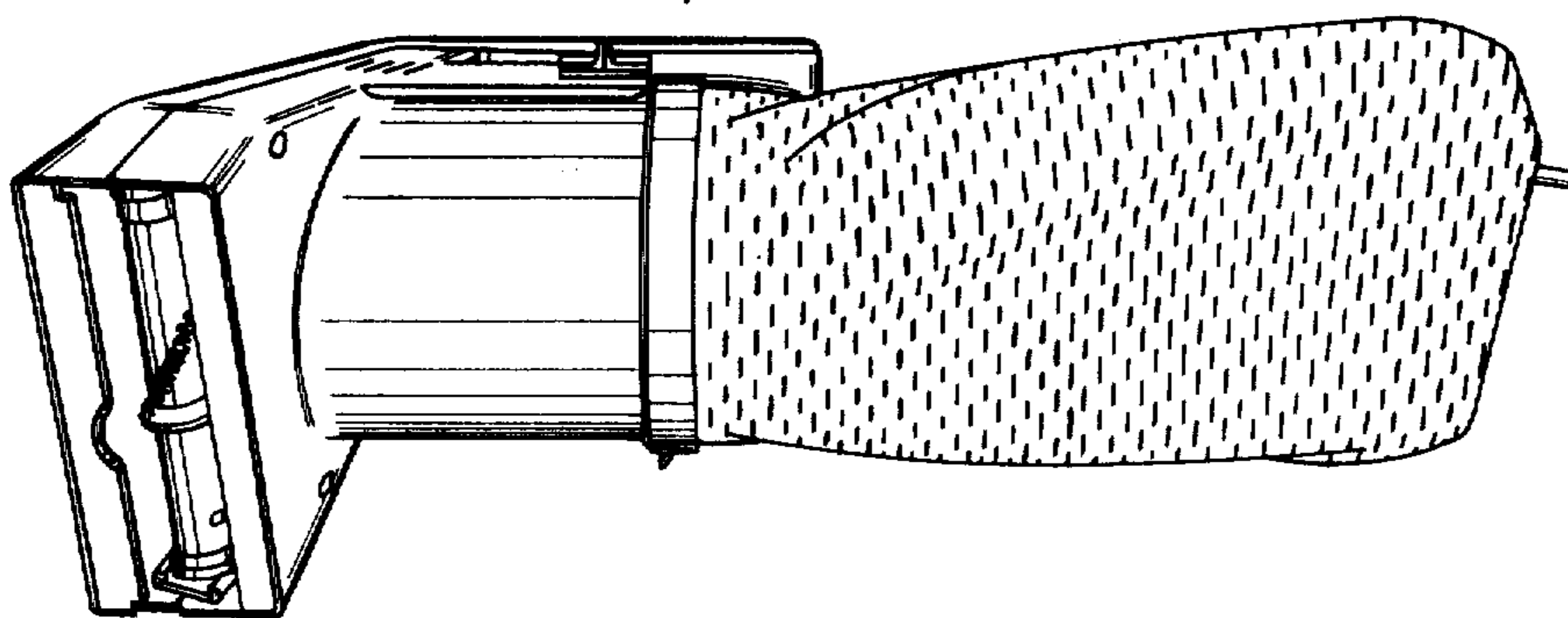


Fig 5

