

[54] **COMBINED HOLDER AND DISPENSER
FOR COLLAPSIBLE TUBES**

[76] Inventor: **Daniel L. Pool**, 4414 E. Lincoln Dr.,
Paradise Valley, Ariz. 85253

[**] Term: **14 Years**

[21] Appl. No.: **98,810**

[22] Filed: **Nov. 30, 1979**

[51] Int. Cl. **D7-99**

[52] U.S. Cl. **D6/87**

[58] Field of Search **D6/86, 87; 248/108,
248/109; 222/93, 95, 99, 100, 101, 105, 106**

[56]

References Cited

U.S. PATENT DOCUMENTS

D. 181,111	10/1957	Simone	D6/91
D. 185,785	8/1959	Maynard et al.	D6/87
2,551,909	5/1951	Soileau	222/100
2,775,370	12/1956	Tripoli	222/100
3,217,933	11/1965	Watson, Jr.	222/105
3,414,166	12/1968	Martin	222/105
4,220,260	9/1980	Webster	222/100

Primary Examiner—B. J. Bullock

Attorney, Agent, or Firm—Don J. Flickinger

[57]

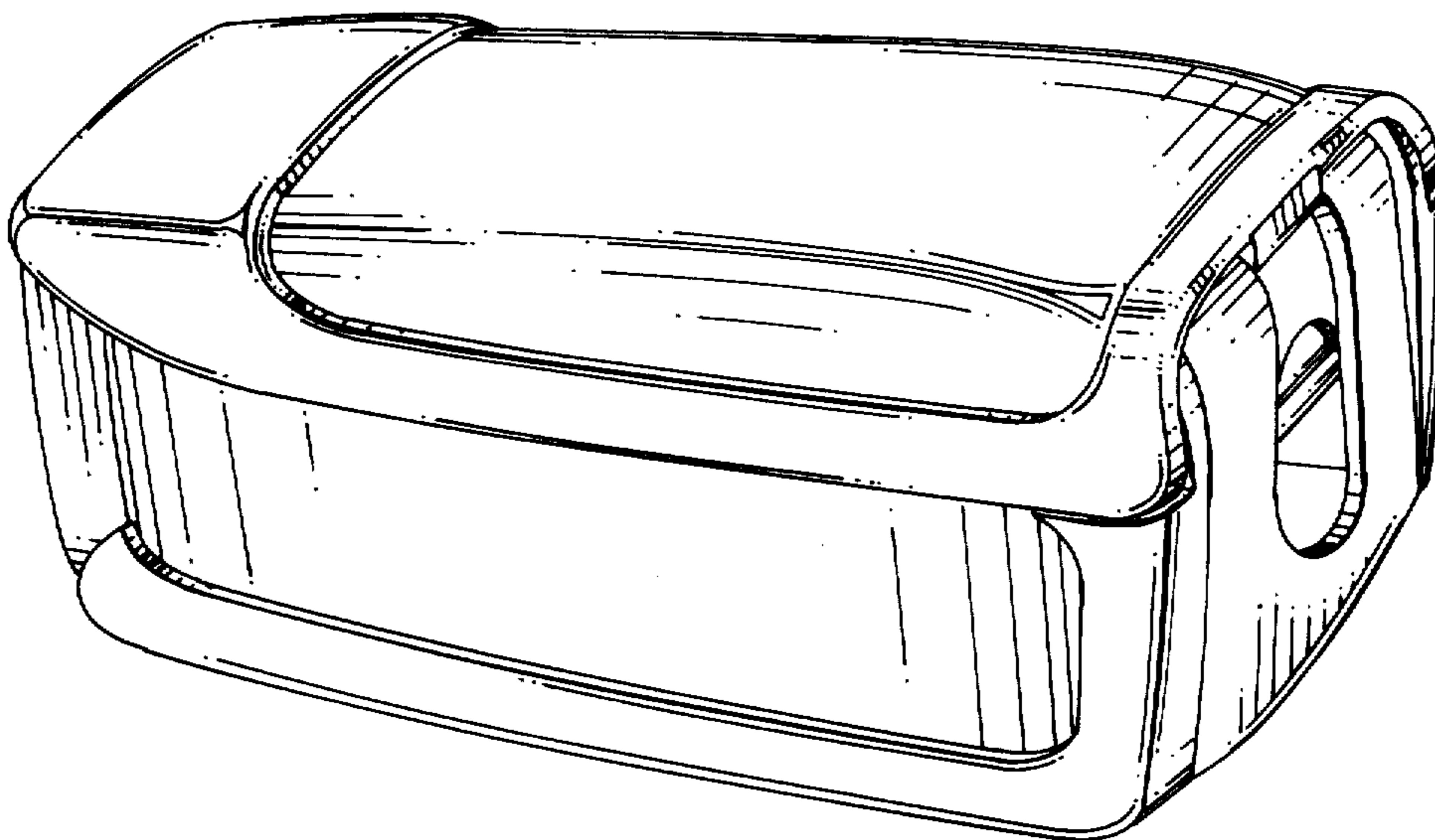
CLAIM

The ornamental design for a combined holder and dispenser for collapsible tubes, as shown and described.

DESCRIPTION

FIG. 1 is a top, front perspective view of a combined holder and dispenser for collapsible tubes showing my new design; and

FIG. 2 is a bottom, rear perspective view thereof.



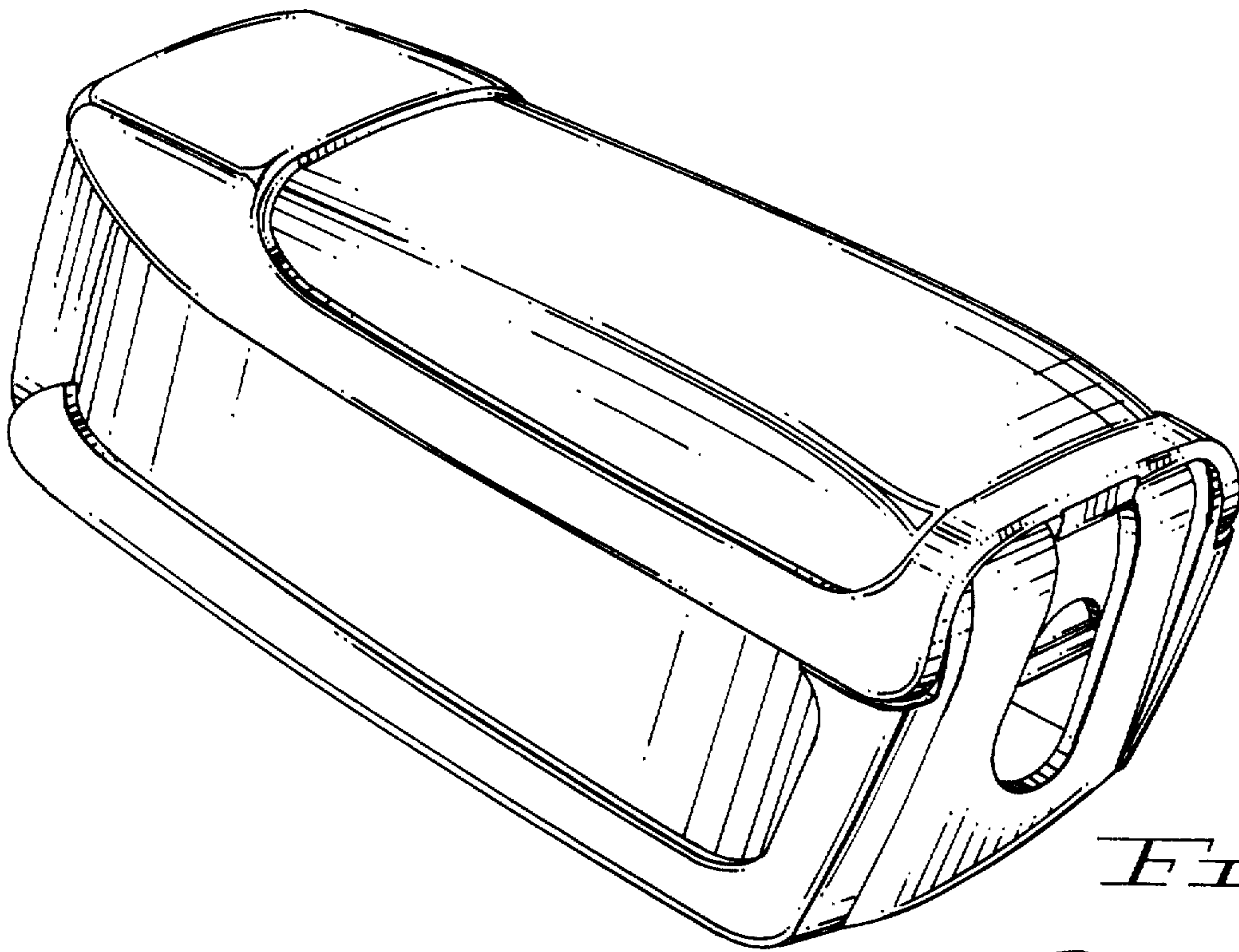


FIG. 1

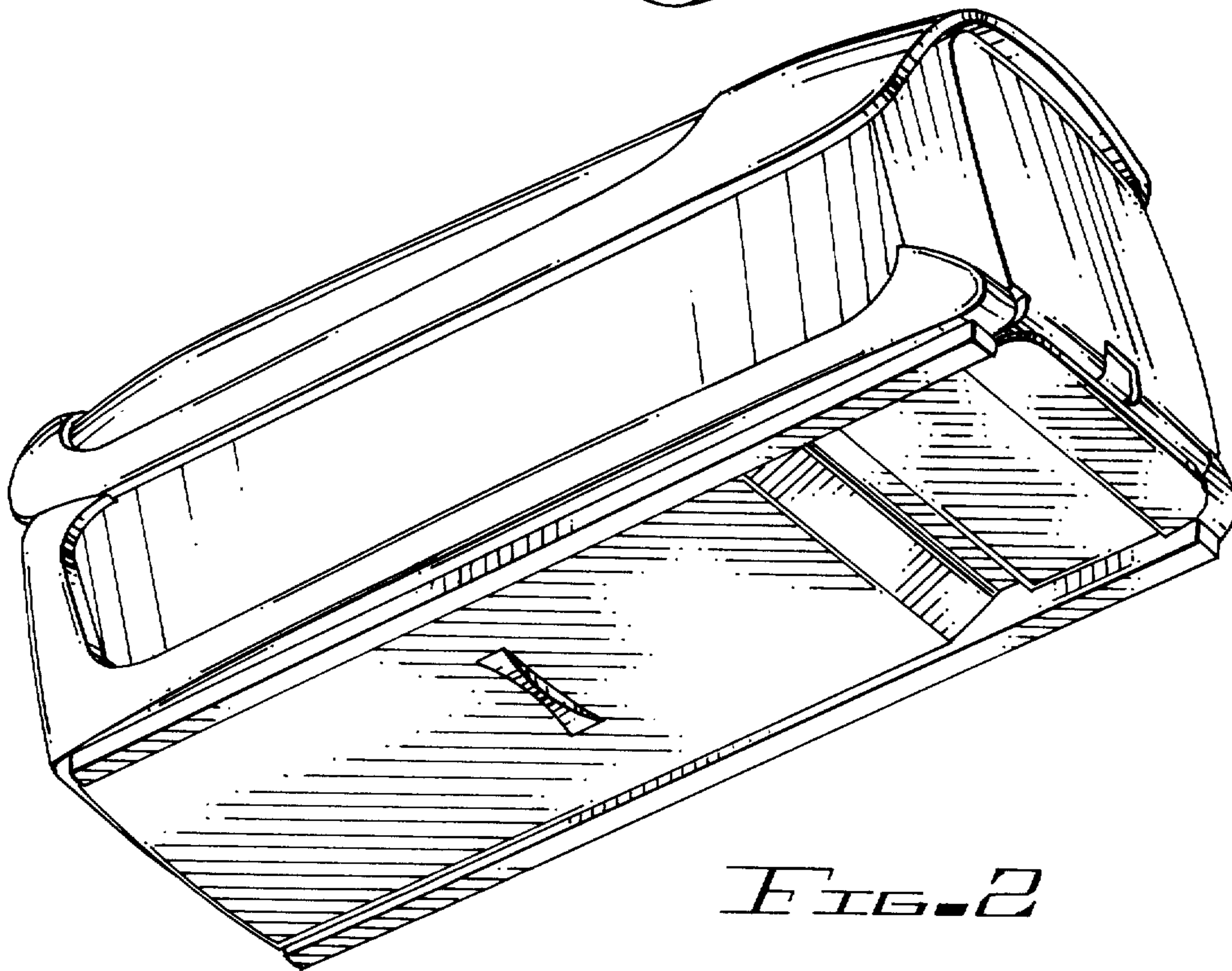


FIG. 2