

[54] TOILET TISSUE COVER

[76] Inventor: **Marlene Y. Chandler**, 3174 Forest Manor, Indianapolis, Ind. 46218

[**] Term: **14 Years**

[21] Appl. No.: **88,547**

[22] Filed: **Oct. 26, 1979**

[51] Int. Cl. **D23-02**

[52] U.S. Cl. **D6/86; D6/97**

[58] Field of Search **D6/87, 96-98; 312/39, 50, 60, 71; 242/55.2, 55.3, 55.42, 55.53, 55.54, 55.55, 137-139**

[56] **References Cited**

U.S. PATENT DOCUMENTS

- D. 191,739 11/1961 Rosenblum D6/86
- D. 204,866 5/1966 Stewart D6/86
- D. 211,258 6/1968 Shrier D6/97

- D. 241,593 9/1976 Wriede D6/97
- D. 254,108 2/1980 Chandler D6/86
- 3,467,456 9/1969 Chmel 312/39

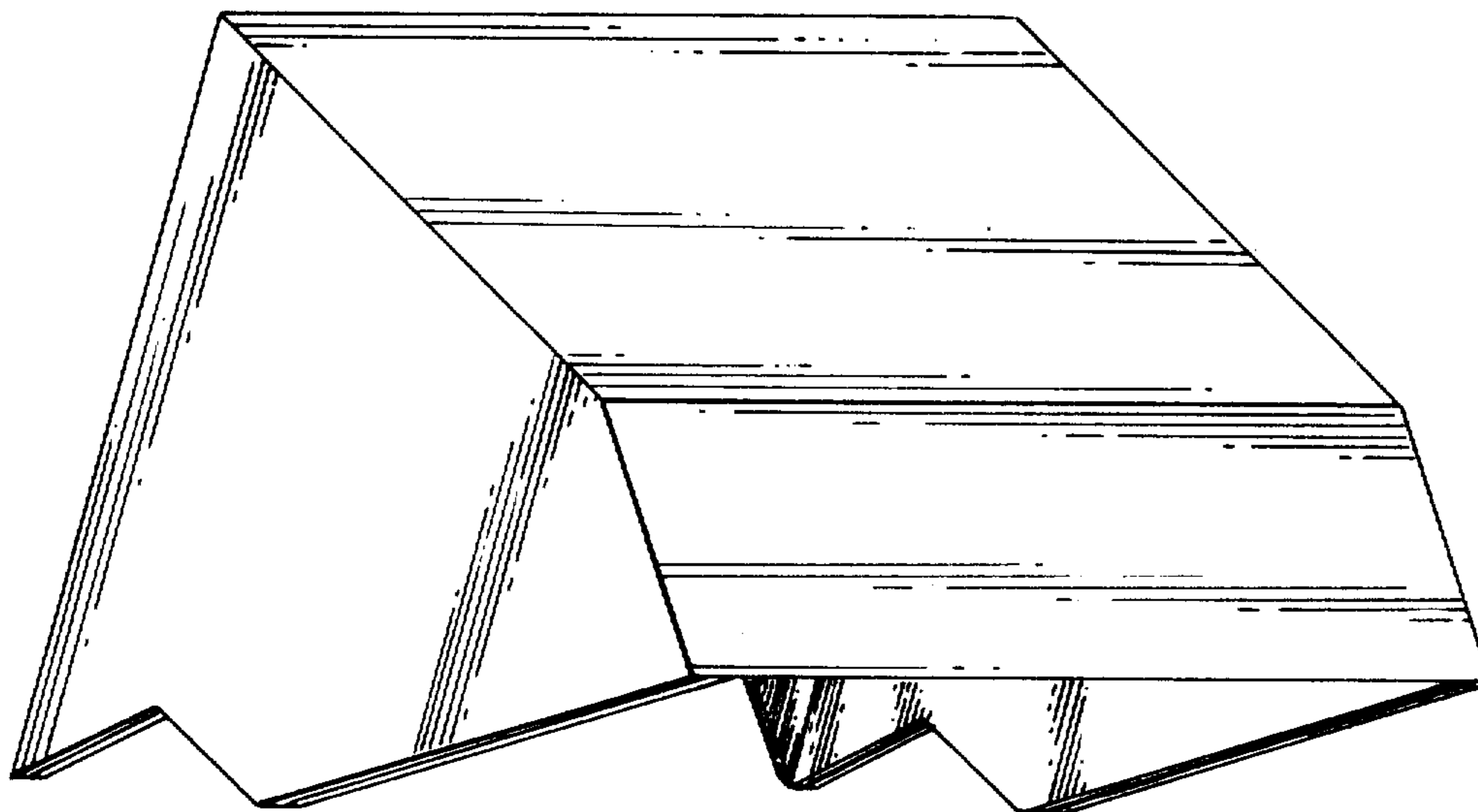
Primary Examiner—B. J. Bullock
Attorney, Agent, or Firm—Robert A. Spray

[57] **CLAIM**

The ornamental design for a toilet tissue cover, as shown and described.

DESCRIPTION

FIG. 1 is an enlarged isometric view of a toilet tissue cover showing my new design;
 FIG. 2 is a top view thereof;
 FIG. 3 is a side elevational view taken from the left of FIG. 1;
 FIG. 4 is a front view thereof;
 FIG. 5 is a side elevational view taken from the right of FIG. 1;
 FIG. 6 is a bottom view thereof;
 FIG. 7 is a rear view thereof.



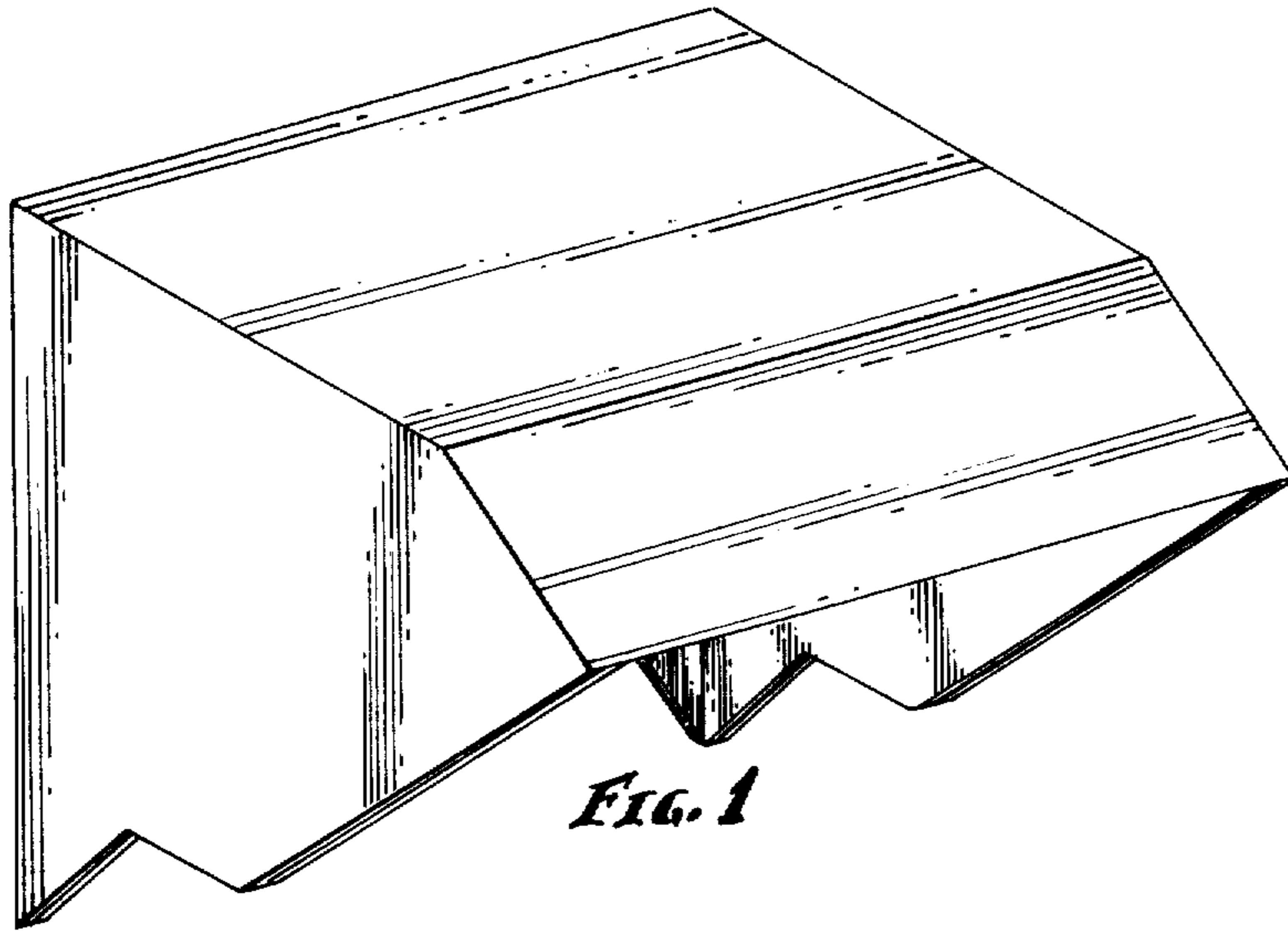


FIG. 1

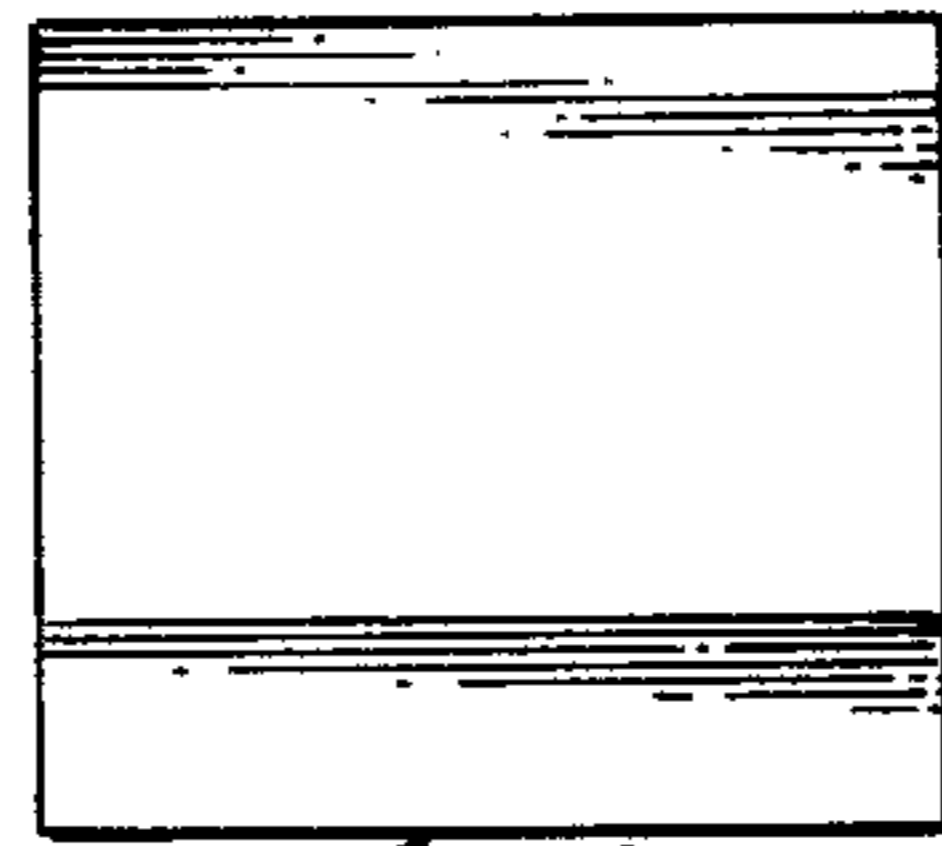


FIG. 2

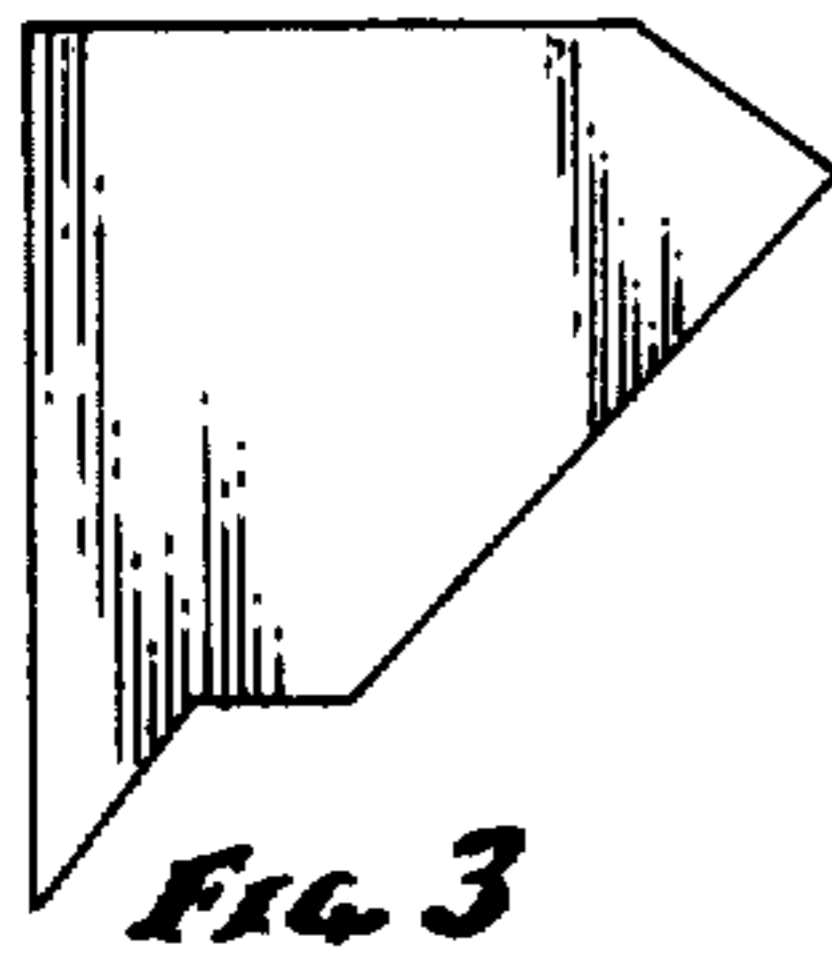


FIG. 3

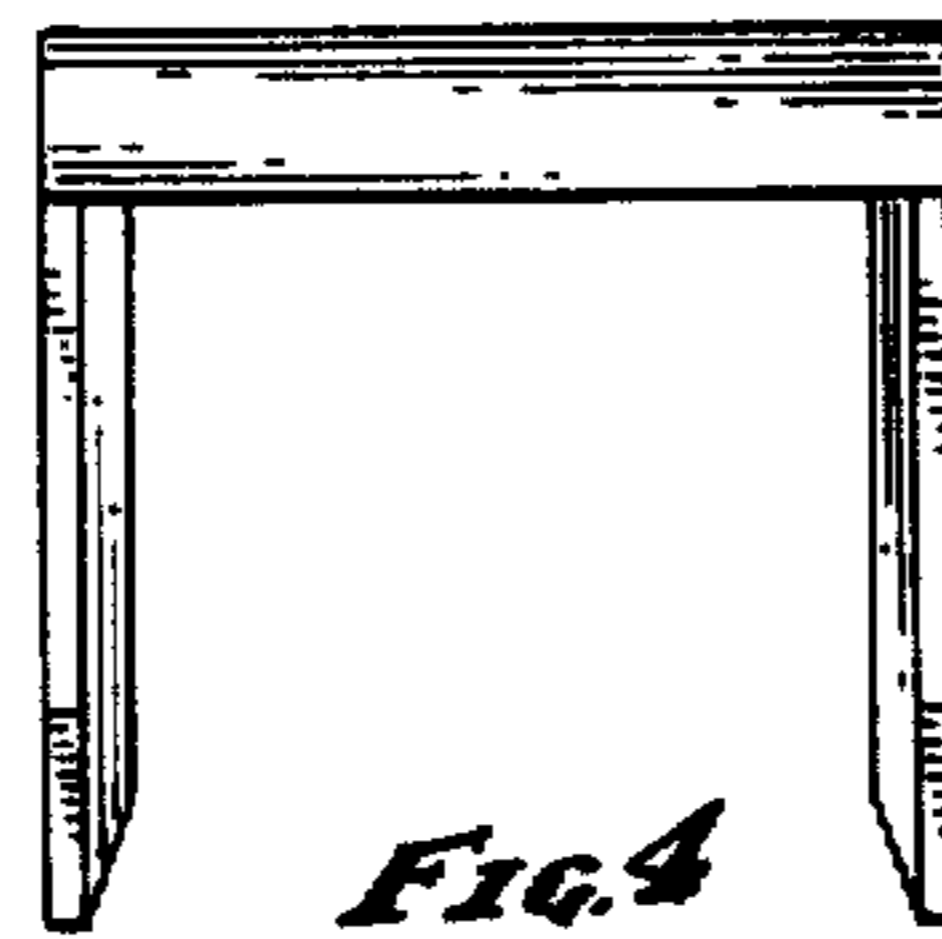


FIG. 4

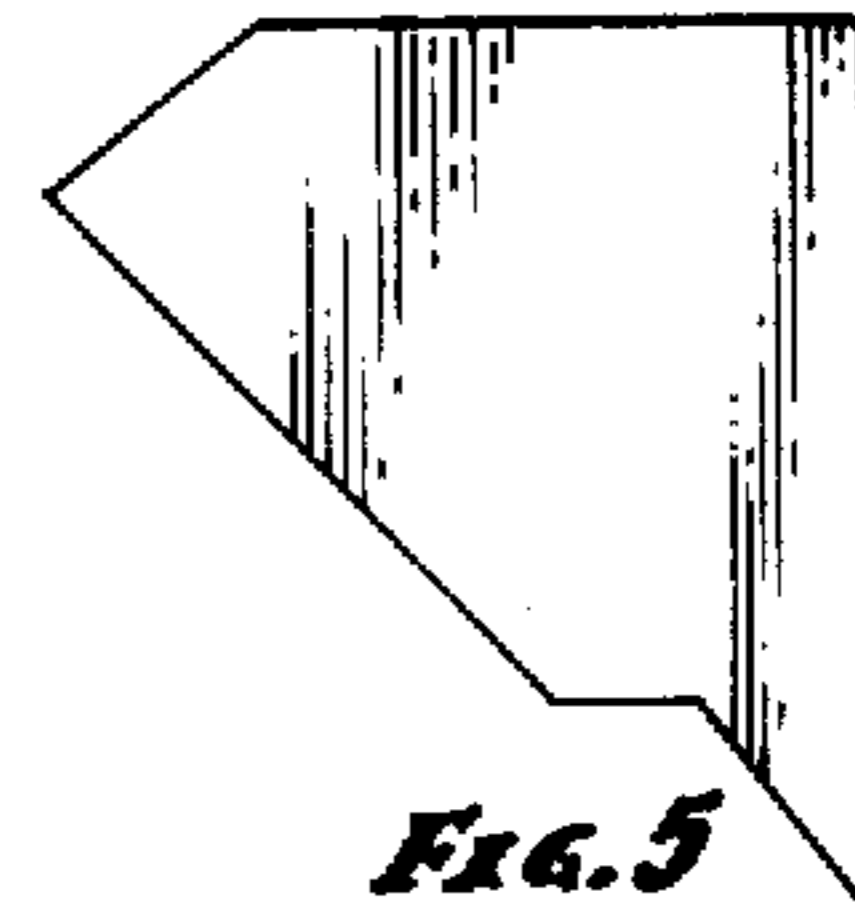


FIG. 5

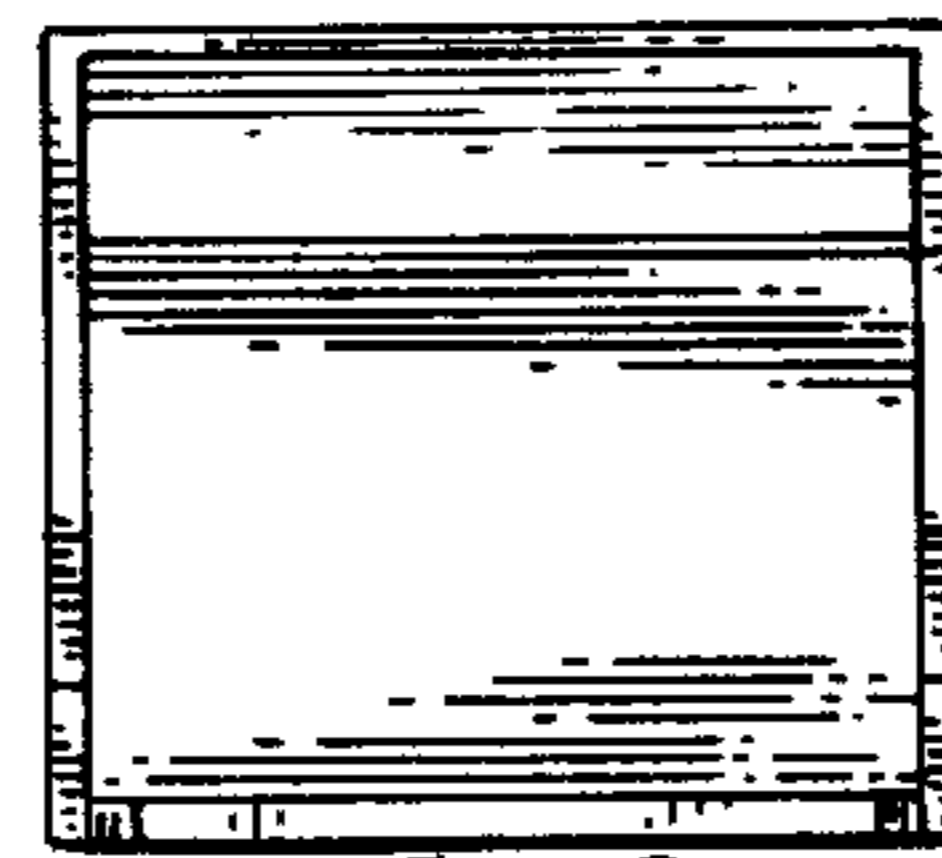


FIG. 6

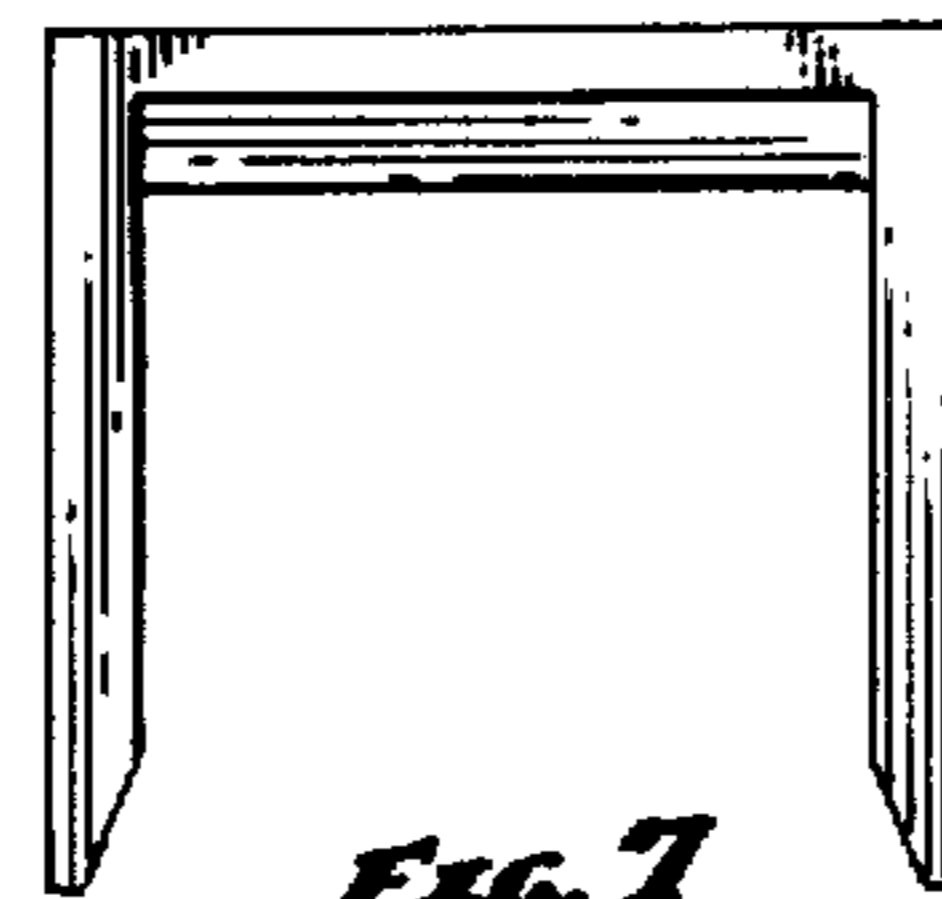


FIG. 7