

[54] PORTABLE SEAT

[76] Inventor: Robert J. Jenkins, 5806 Georgia, Kansas City, Kans. 66104

[**] Term: 14 Years

[21] Appl. No.: 951,065

[22] Filed: Oct. 13, 1978

[51] Int. Cl. D6-01

[52] U.S. Cl. D6/26

[58] Field of Search D6/20, 26, 27, 47, 48.1; 297/195, 439; 248/156; 108/150

[56] References Cited

U.S. PATENT DOCUMENTS

- D. 106,117 9/1937 Kraeft D6/48.1
- D. 211,145 5/1968 Golden D6/48.1
- D. 236,300 8/1975 Hartinger D6/26
- D. 238,726 2/1976 Labik D6/20

OTHER PUBLICATIONS

Design Catalog, Nov. 1975, p. 47, Portable Seat upper right.

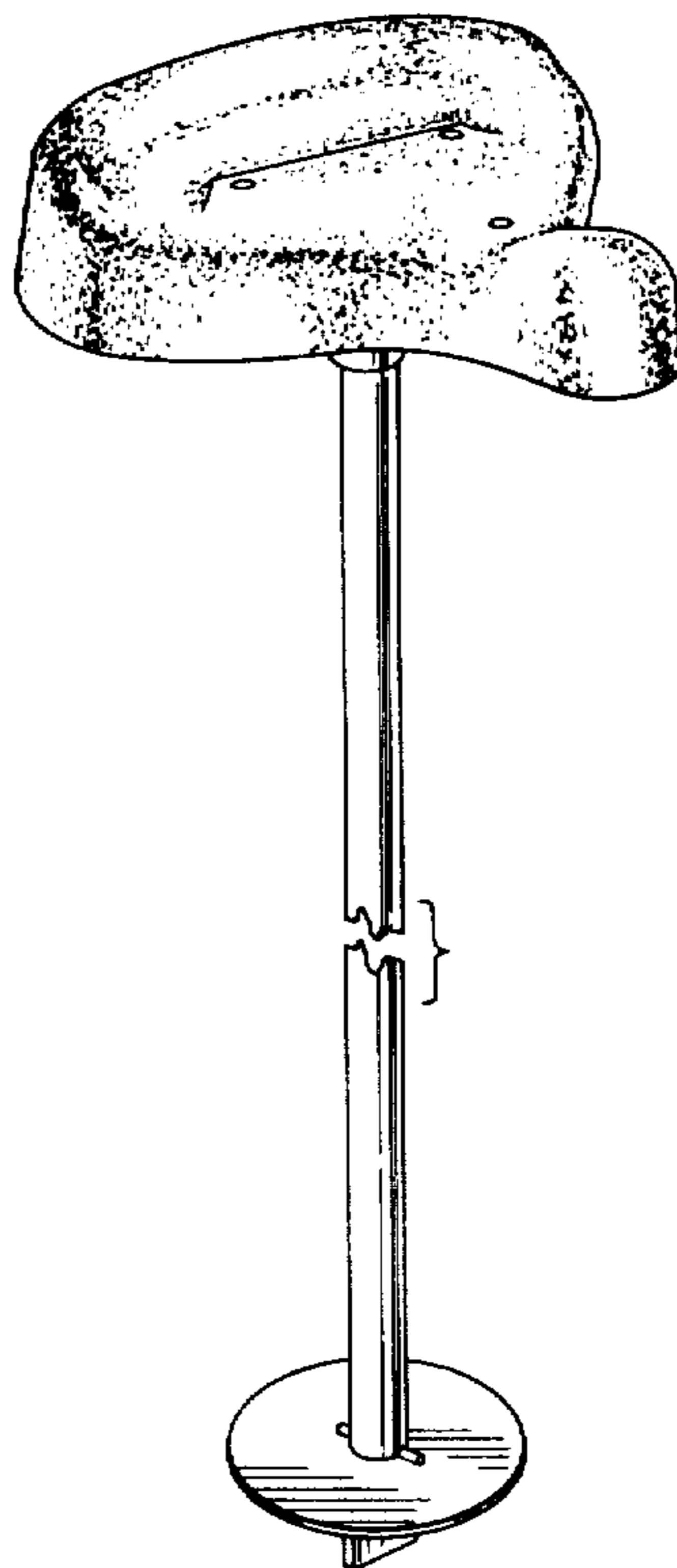
Primary Examiner—Bruce W. Dunkins
Attorney, Agent, or Firm—Lowe, Kokjer, Kircher, Wharton & Bowman

[57] CLAIM

The ornamental design for a portable seat, as shown and described.

DESCRIPTION

FIG. 1 is a perspective view of the portable seat according to the present invention;
 FIG. 2 is an elevational view of one side of the portable seat the other side being identical thereto;
 FIG. 3 is a front elevational view of my portable seat;
 FIG. 4 is a rear elevational view thereof;
 FIG. 5 is a top plan view of the portable seat according to the present invention; and
 FIG. 6 is a bottom plan view of the portable seat according to the present invention.
 The standard is shown broken away to indicate indeterminate length.



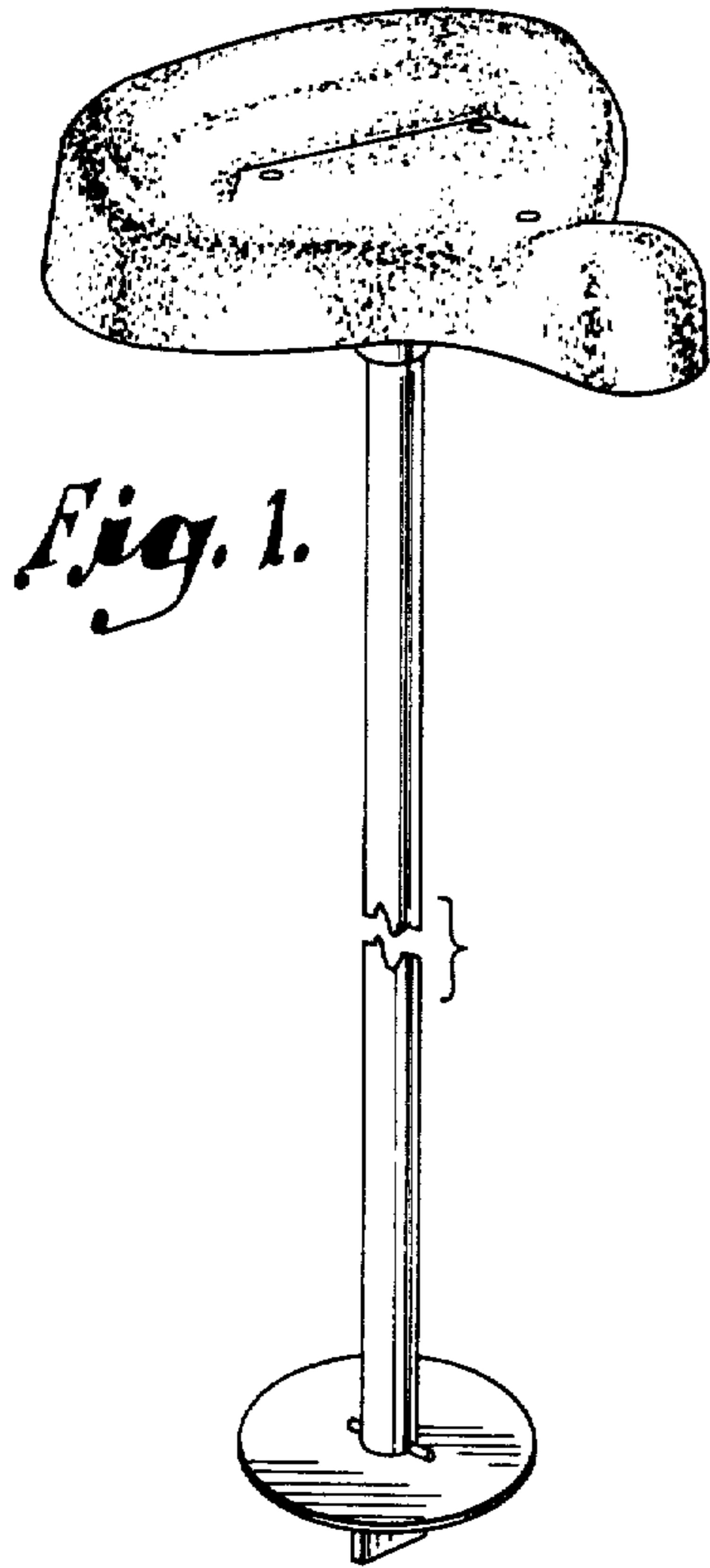


Fig. 2.

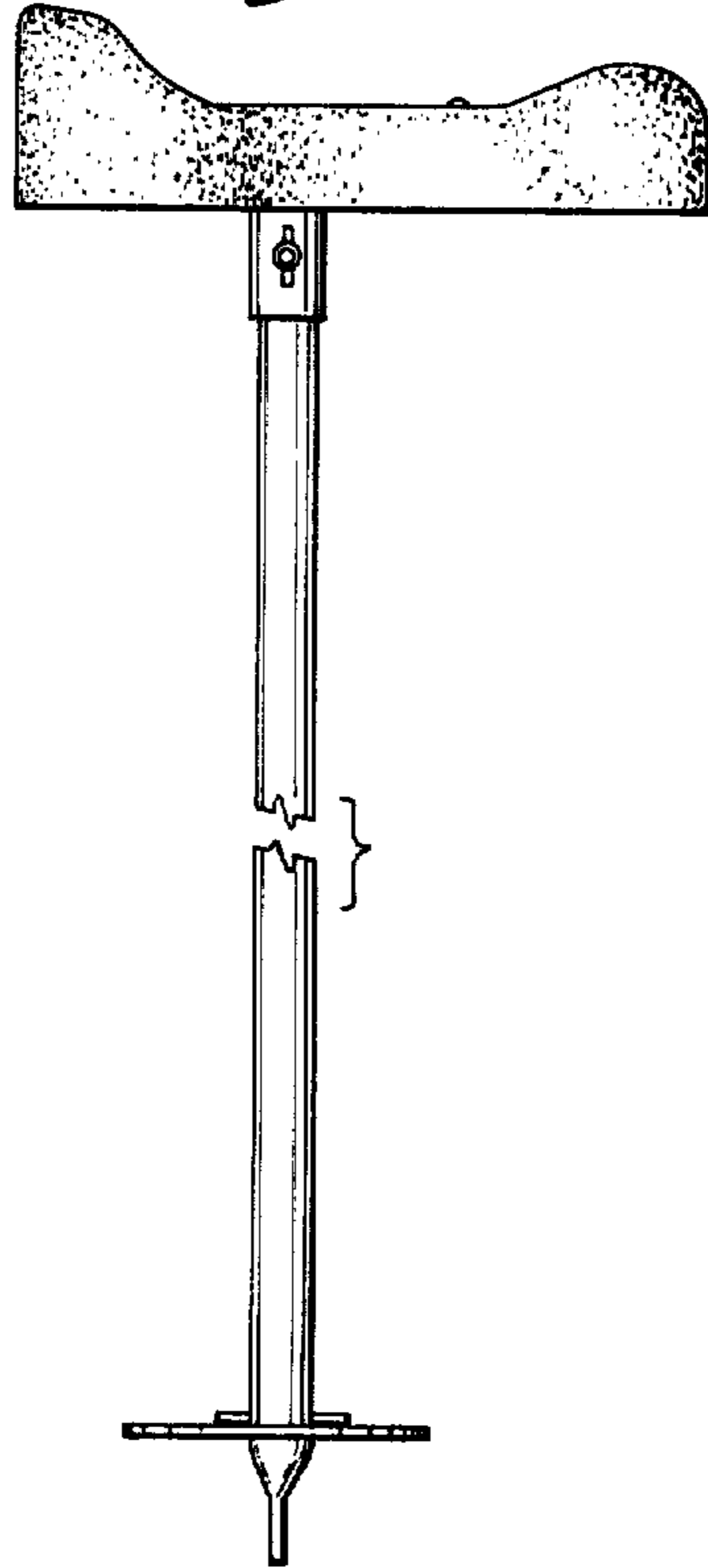


Fig. 3.

