

[54] COUNTER DISPLAY STAND

[75] Inventor: Sydney Edson, East Meadow, N.Y.

[73] Assignee: Howard Displays, Inc., New York, N.Y.

[**] Term: 14 Years

[21] Appl. No.: 31,081

[22] Filed: Apr. 18, 1979

[51] Int. Cl. D20-02
[52] U.S. Cl. D6/23; D6/85;
D6/157; D6/186

[58] Field of Search D6/20, 23, 24, 29, 85,
D6/157, 186, 188, 189; 211/13, 126, 128, 129,
131

[56] References Cited

U.S. PATENT DOCUMENTS

D. 128,246 7/1941 Loew D6/186
D. 252,244 7/1979 Edson D6/186
D. 252,299 7/1979 Marshall D6/157

Primary Examiner—B. J. Bullock
Attorney, Agent, or Firm—Howard C. Miskin

[57] CLAIM

The ornamental design for a counter display stand, as shown.

DESCRIPTION

FIG. 1 is front elevational view of a counter display stand showing my new design;
FIG. 2 is a side elevational view taken from the right of FIG. 1;
FIG. 3 is a top plan view thereof;
FIG. 4 is a rear elevational view thereof;
FIG. 5 is a bottom plan view thereof;
FIG. 6 is a reduced perspective view thereof.

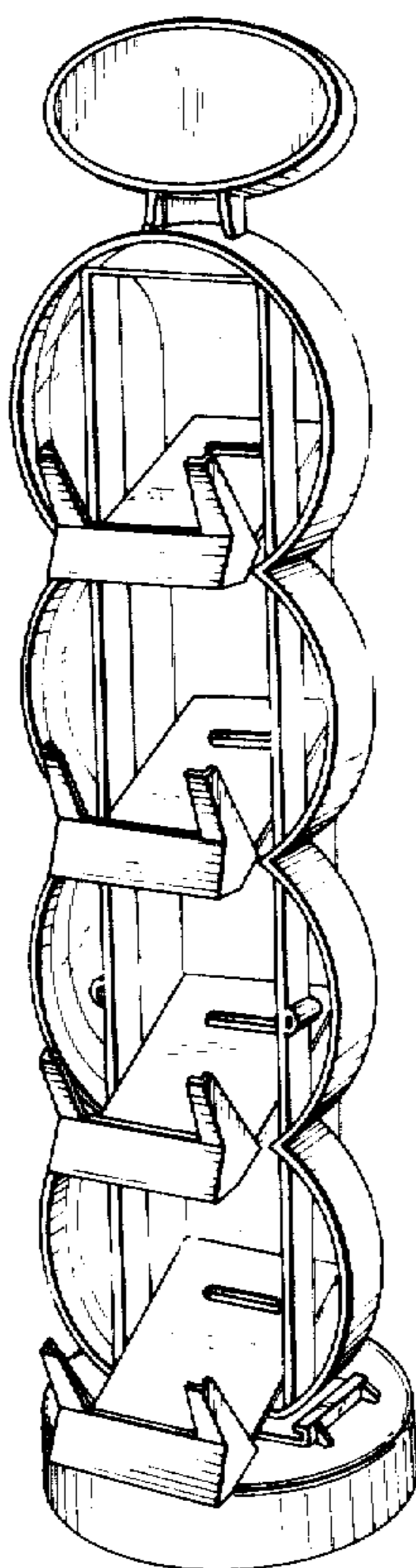


FIG. 1

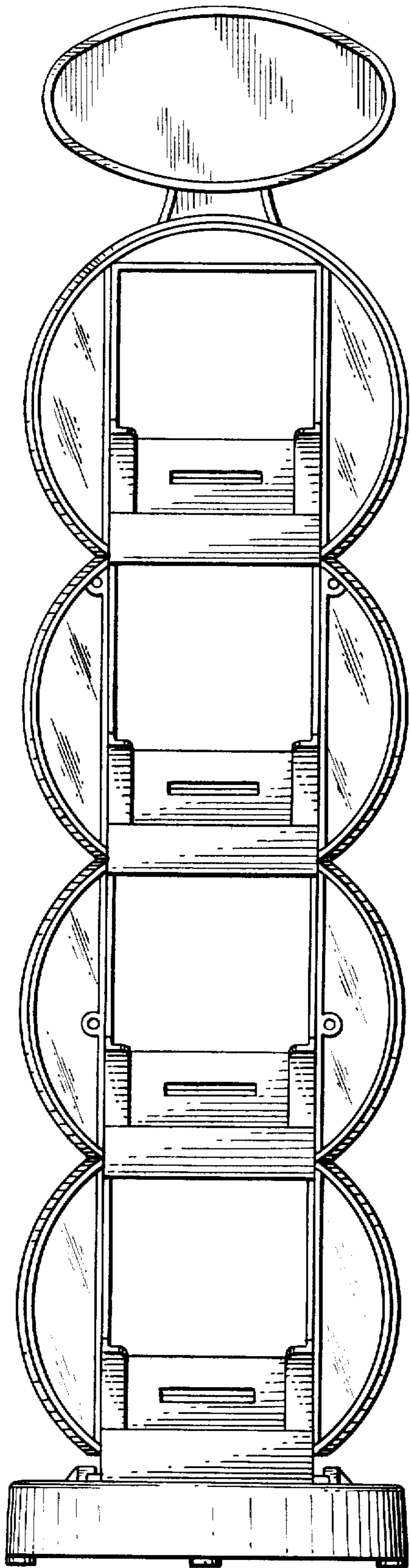
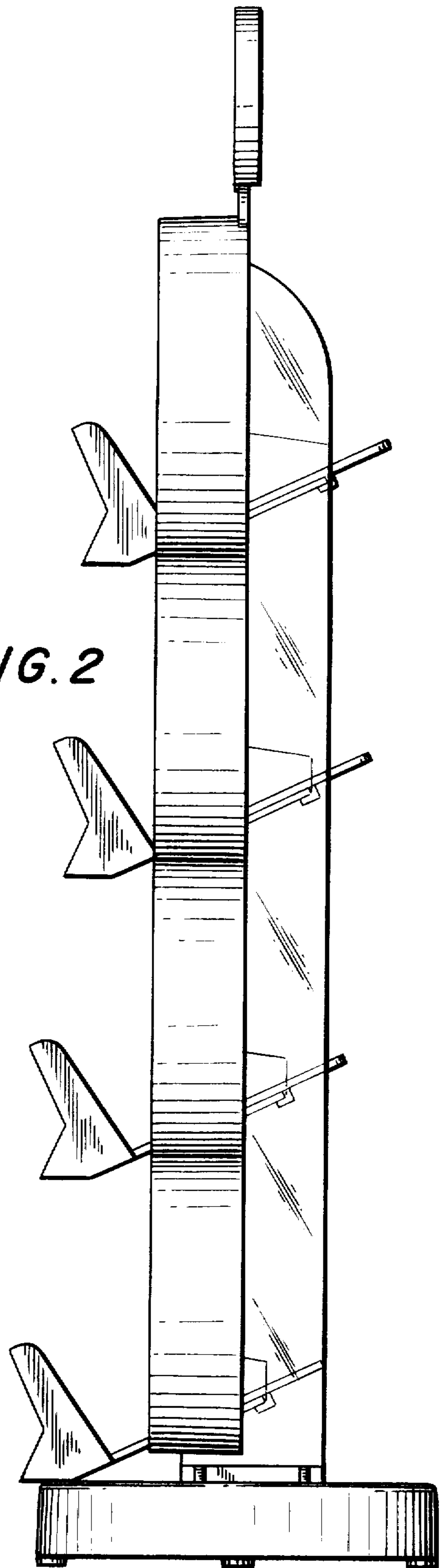


FIG. 2



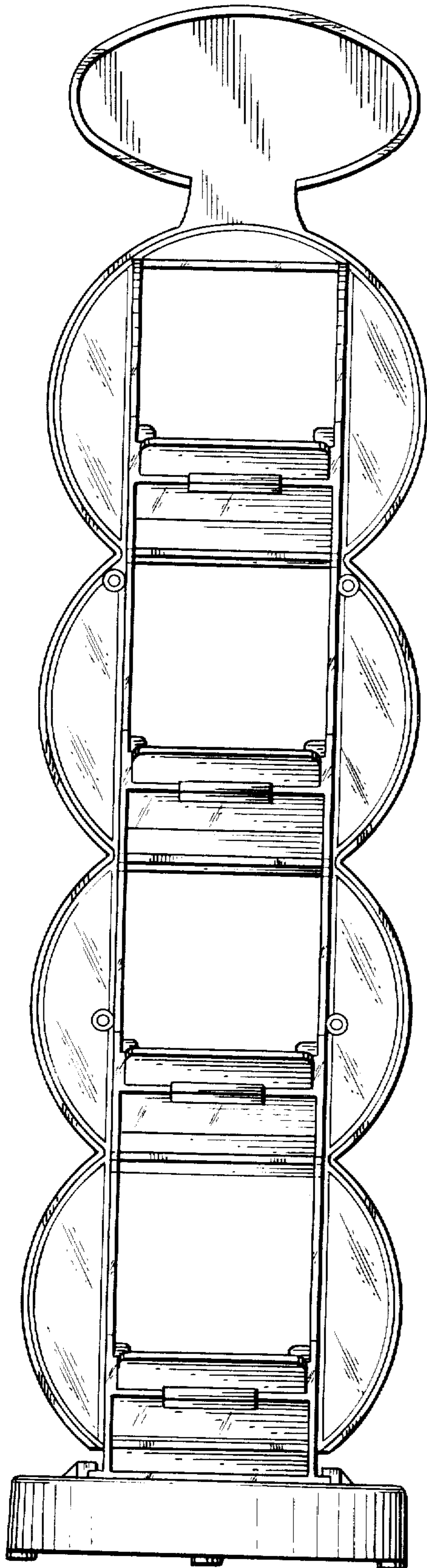


FIG. 4

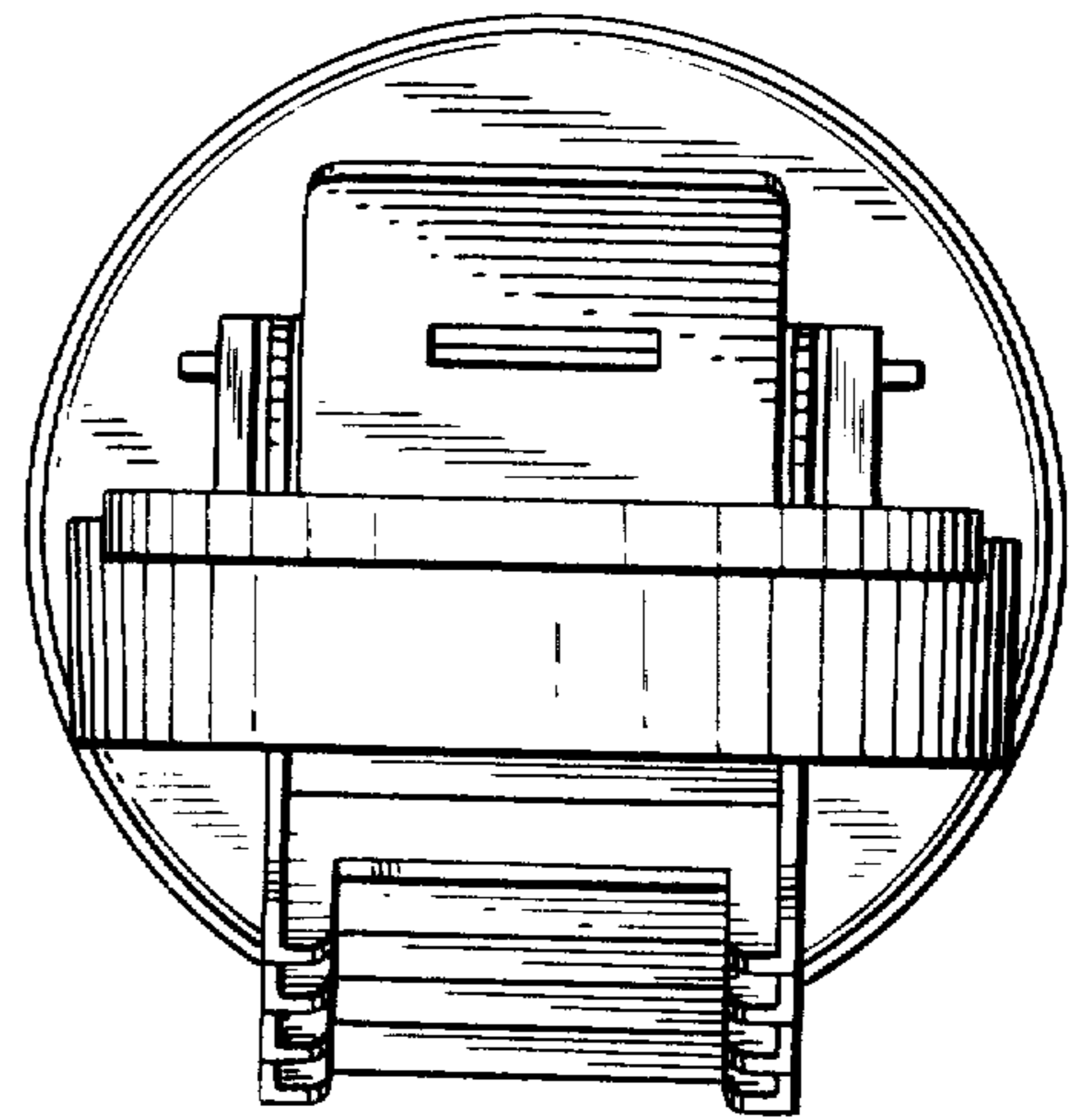


FIG. 3

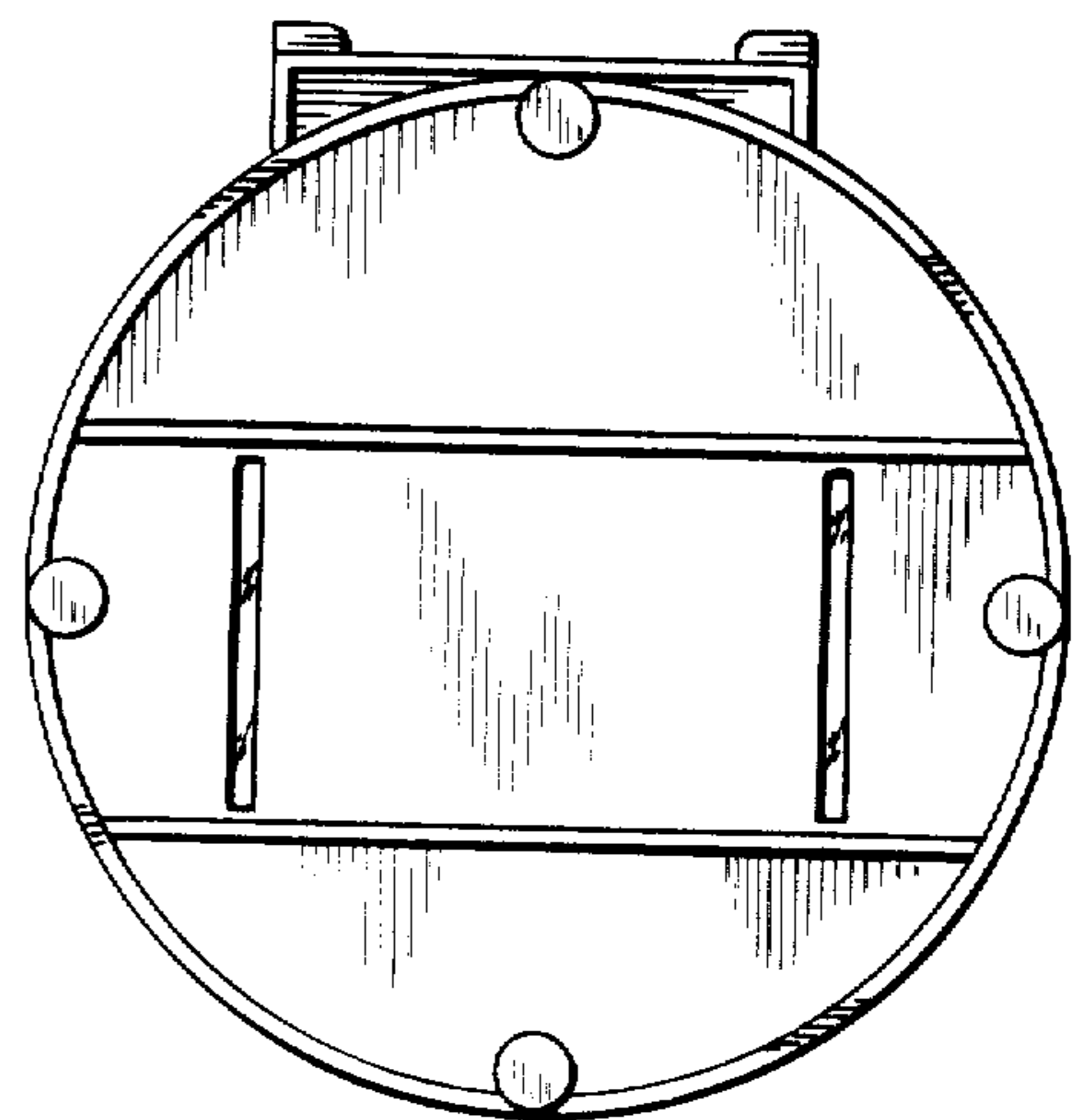


FIG. 5

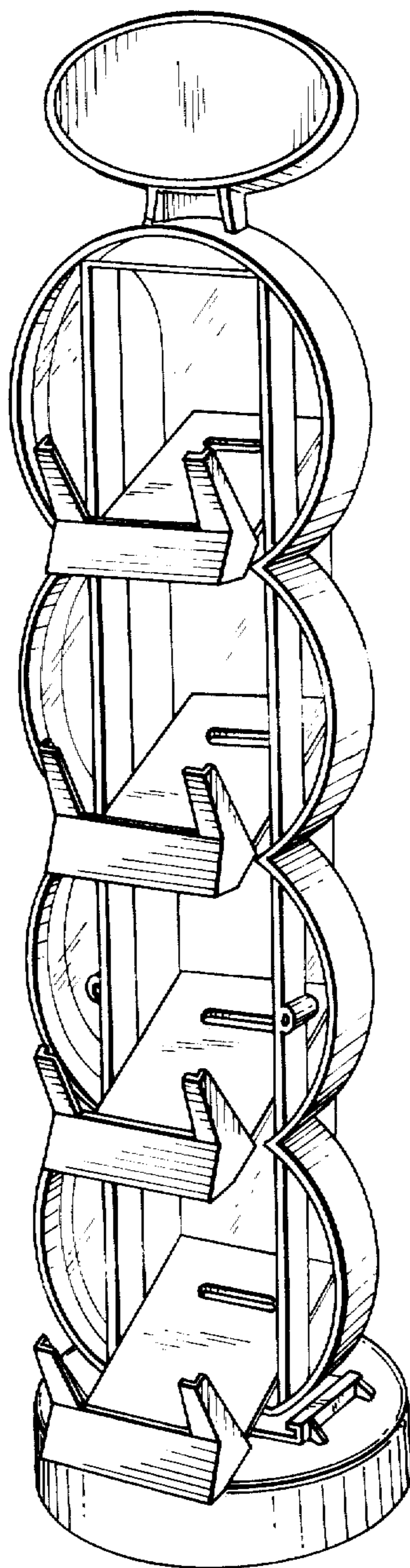


FIG. 6