

[54] **WALL-MOUNTED MAILBOX**

[76] Inventor: **William DeLange**, 5826 Foxboro Trail, Springfield, Mo. 65804

[**] Term: **14 Years**

[21] Appl. No.: **44,958**

[22] Filed: **Jun. 4, 1979**

[51] Int. Cl. **D99—00**

[52] U.S. Cl. **D99/33**

[58] Field of Search **D99/29, 33; D6/25;**
232/17, 19, 20; 312/245, 280

[56] **References Cited**

U.S. PATENT DOCUMENTS

1,397,438 11/1921 Martin 232/17

2,983,437 5/1961 Vandruff 232/17

OTHER PUBLICATIONS

Home Furnishings Daily, 4/13/59, p. 14, Mailbox.

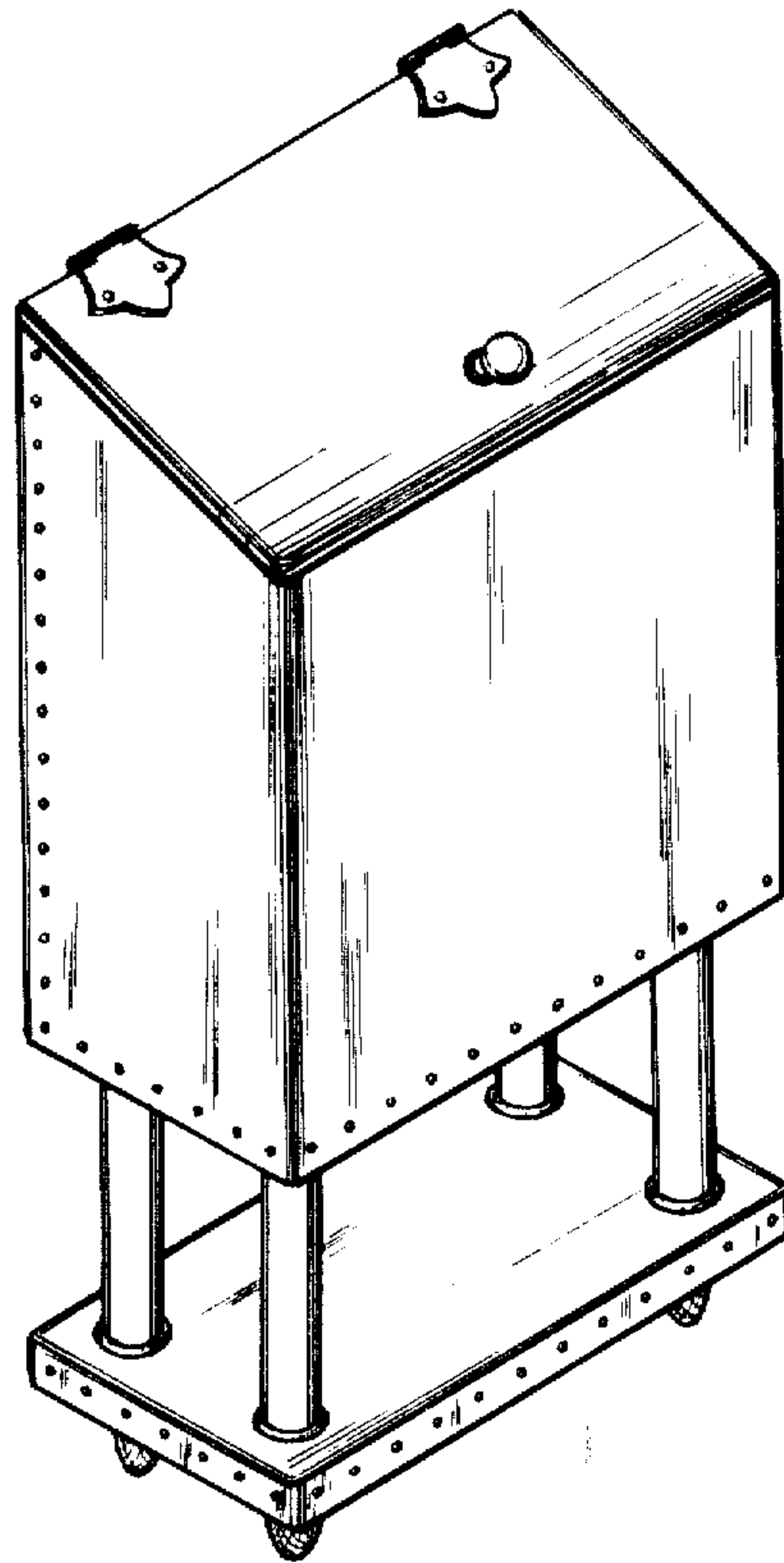
Primary Examiner—James M. Gandy
Attorney, Agent, or Firm—Jerome A. Gross

[57] **CLAIM**

The ornamental design for a wall-mounted mailbox, substantially as shown.

DESCRIPTION

FIG. 1 is a perspective view of a wall-mounted mailbox, showing my new design as seen from above and adjacent the front and one side thereof; and FIG. 2 is a perspective view thereof as seen from below and adjacent the rear and opposite side.



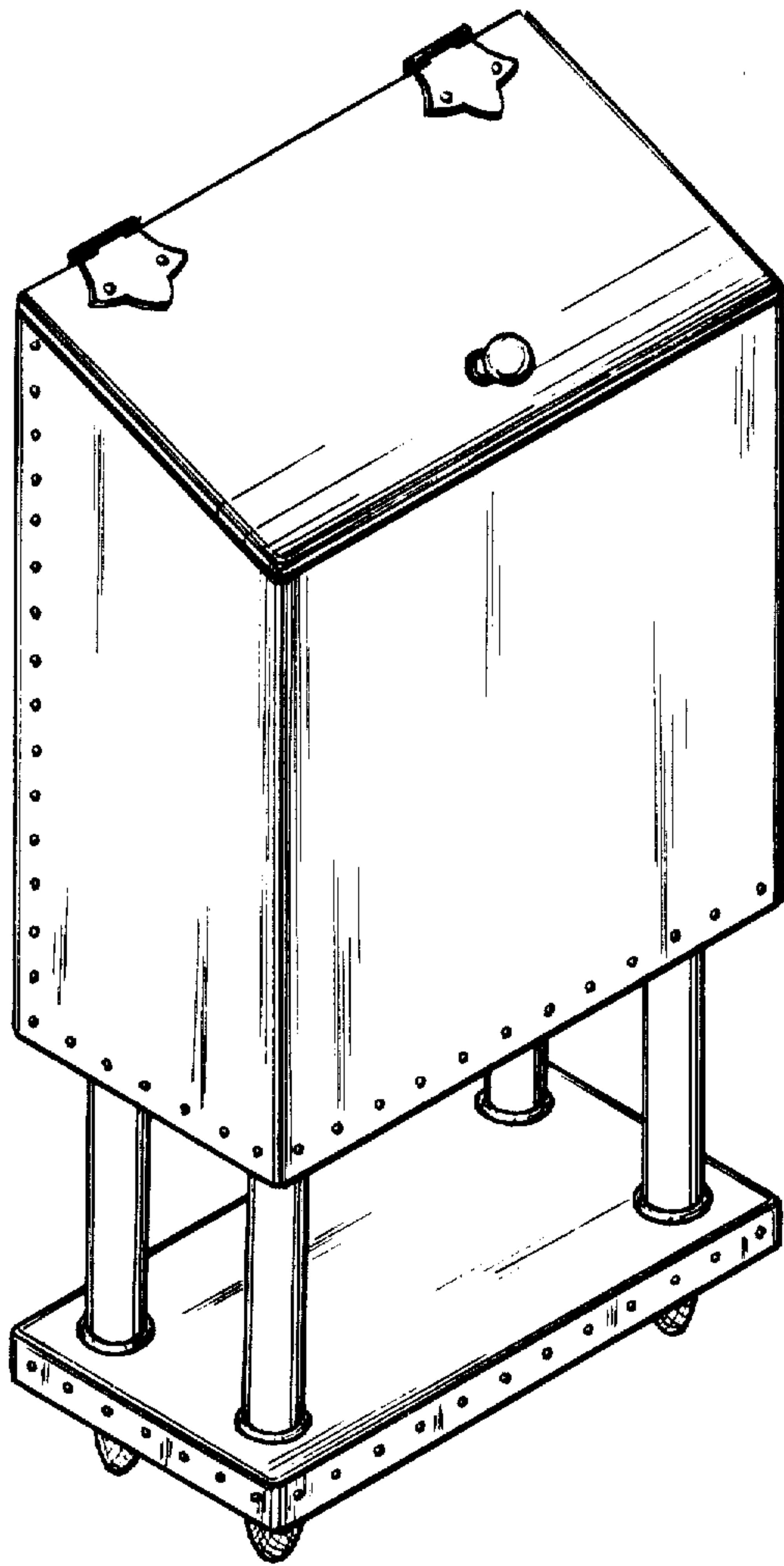


FIG. 1

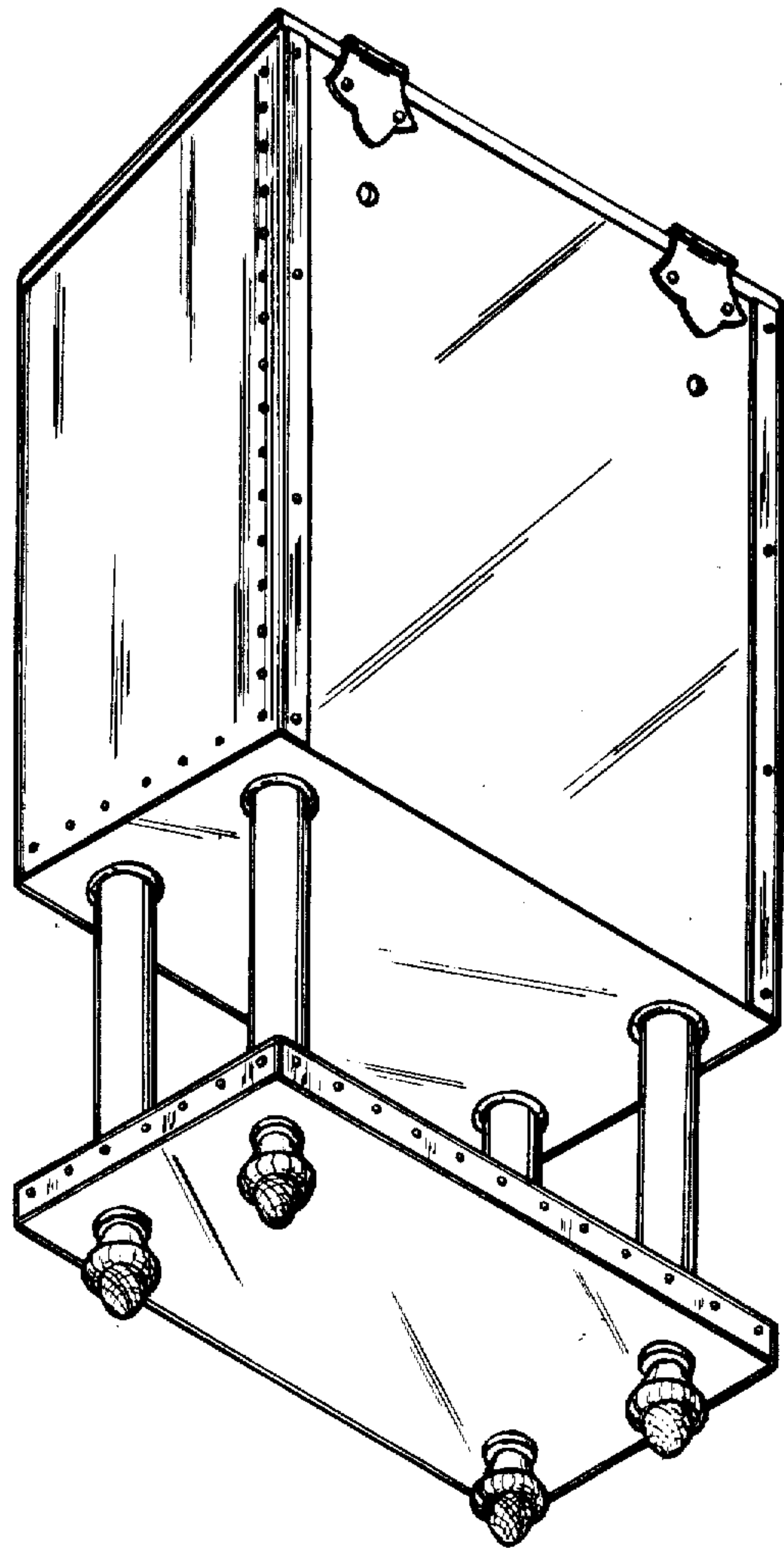


FIG. 2