

[54] **CURLING IRON**

[75] **Inventors:** Robert Oberheim, Liederbach;
Jürgen Greubel, Heidenrod; Dieter
Rams, Kronberg, all of Fed. Rep. of
Germany

[73] **Assignee:** Braun Aktiengesellschaft, Kronberg,
Fed. Rep. of Germany

[**] **Term:** 14 Years

[21] **Appl. No.:** 158,840

[22] **Filed:** Jun. 19, 1980

[30] **Foreign Application Priority Data**

Jan. 8, 1980 [DE] Fed. Rep. of Germany 73 MR
8842

[51] **Int. Cl.** D28—03

[52] **U.S. Cl.** D28/35

[58] **Field of Search** D28/12-19,
D28/35-39; 132/7, 9, 33 R, 33 A, 37 R;
219/222, 225; 220/20

[56] **References Cited**

U.S. PATENT DOCUMENTS

D. 254,812 4/1980 MacGregor D28/35

FOREIGN PATENT DOCUMENTS

1375768 11/1974 United Kingdom 219/225

OTHER PUBLICATIONS

W. Bell & Co. Catalogue, 1978, p. 197, Clairol Steam
Hair Styler with Storage Shield in upper right.

Primary Examiner—Leland A. Sebastian
Attorney, Agent, or Firm—Raymond J. De Vellis

[57] **CLAIM**

The ornamental design for a curling iron, as shown and
described.

DESCRIPTION

FIG. 1 is a top plan view of a curling iron showing our
new design;

FIG. 2 is a bottom plan view thereof;

FIG. 3 is a front elevational view thereof;

FIG. 4 is a rear elevational view thereof;

FIG. 5 is a left end elevational view thereof; and

FIG. 6 is a right end elevational view thereof.

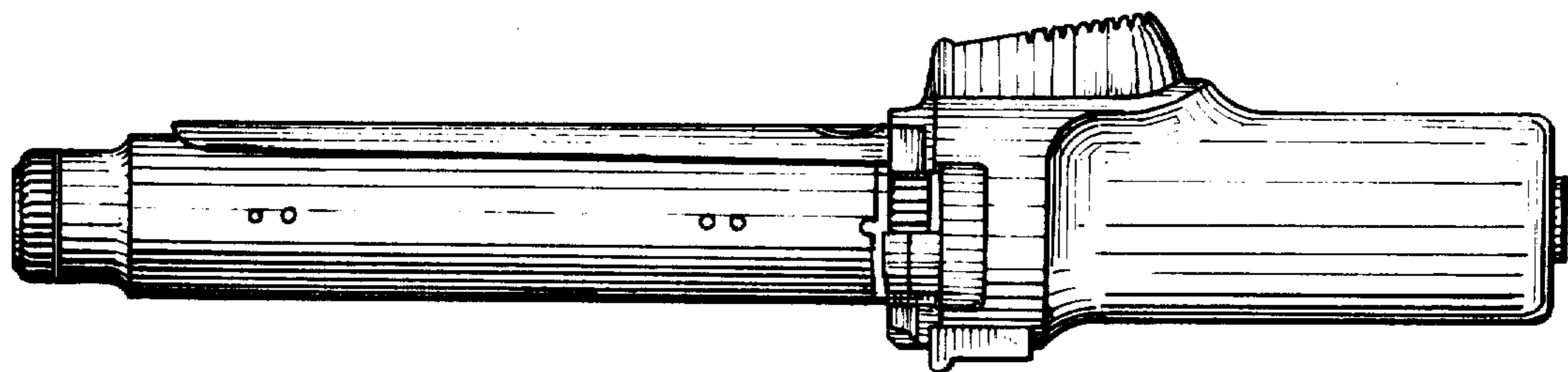


Fig. 1

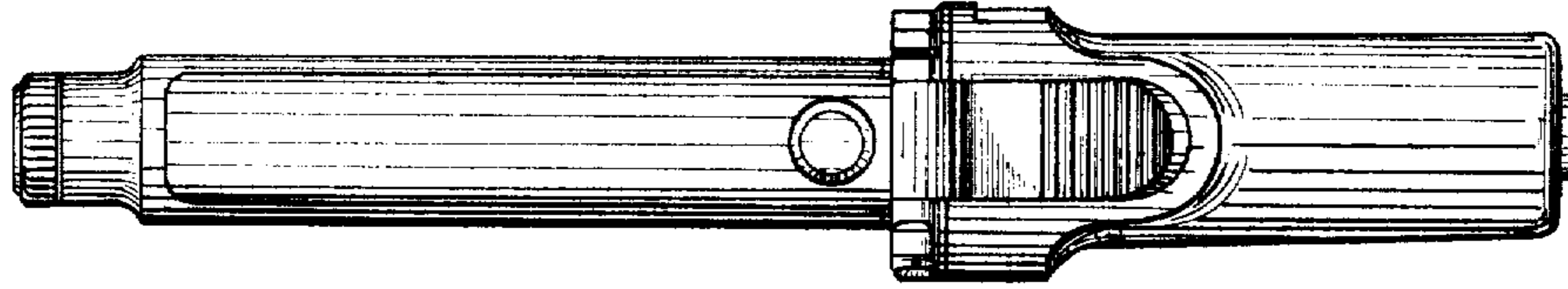


Fig. 2

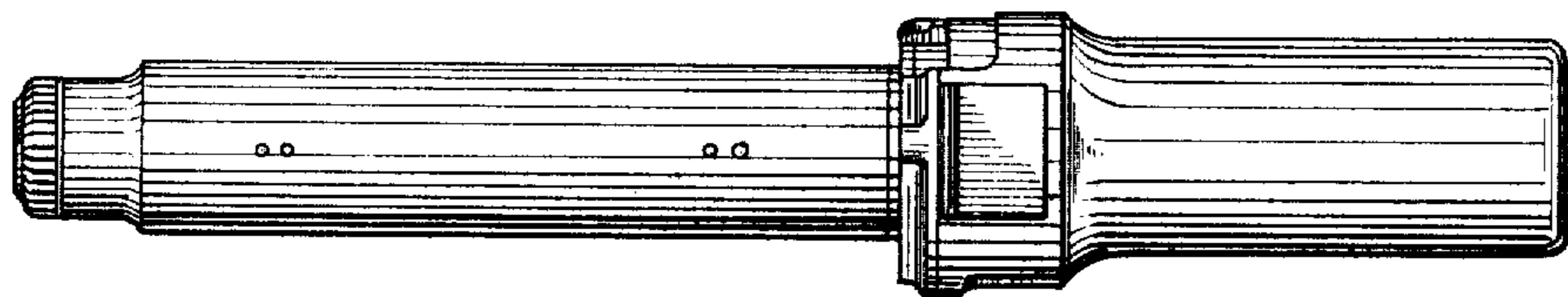


Fig. 3

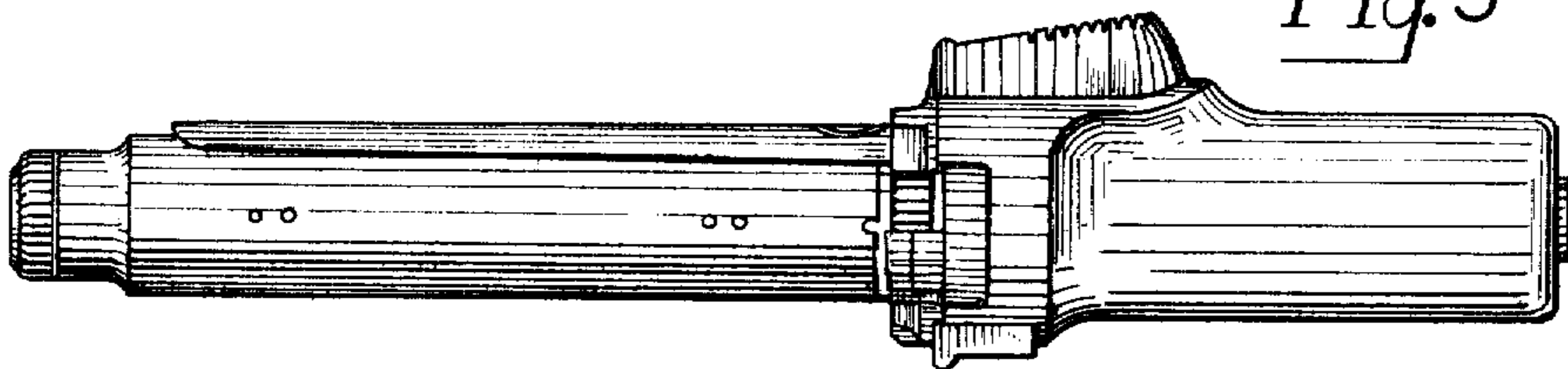


Fig. 4

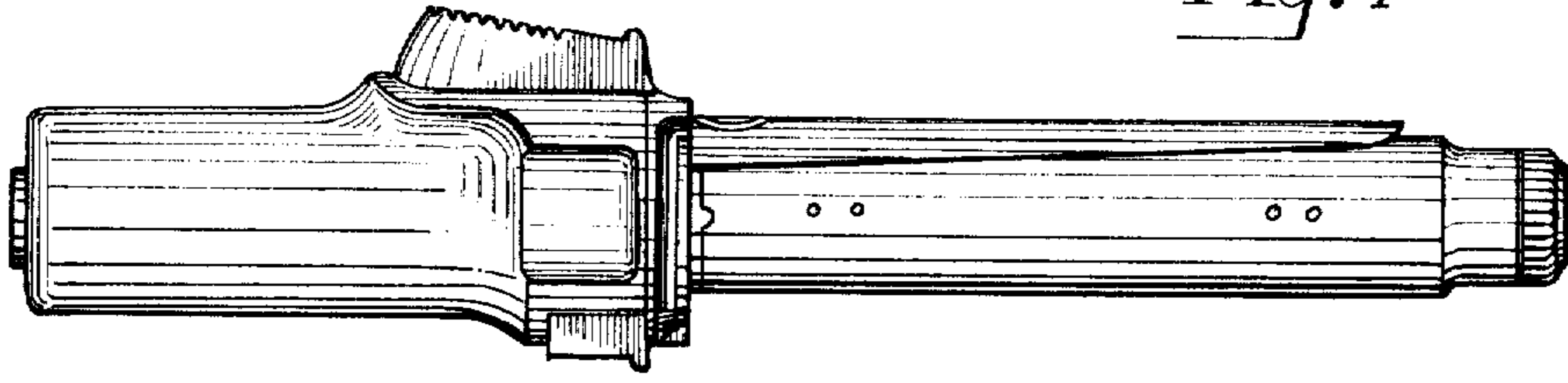


Fig. 5

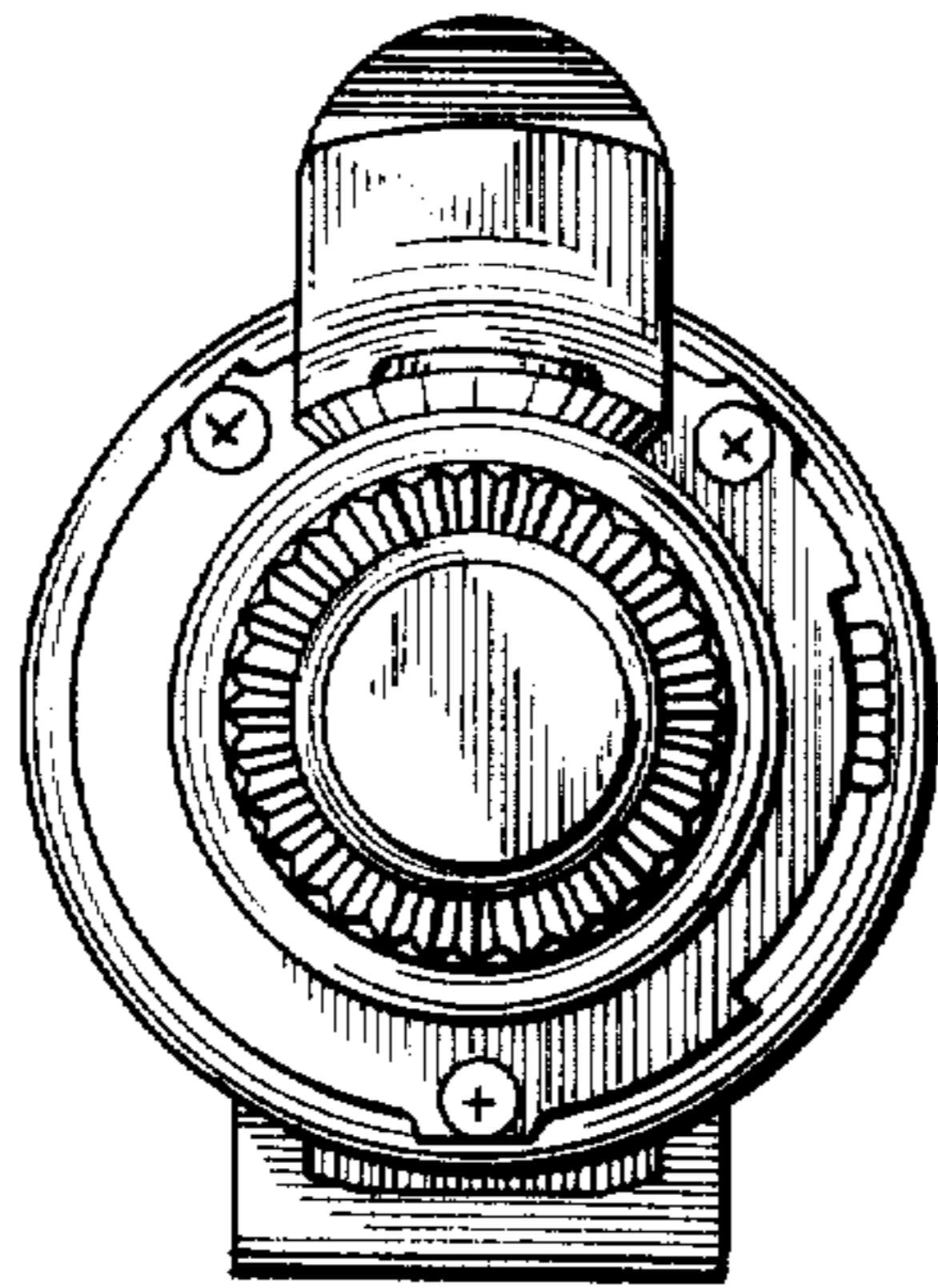


Fig. 6

