

[54] SHAMPOO DRAINAGE TRAY
[76] Inventor: Edward J. Pasquarello, 5 Silvermine Rd., Woburn, Mass. 01801

[**] Term: 14 Years

[21] Appl. No.: 9,111

[22] Filed: Feb. 5, 1979

[51] Int. Cl. D28-03

[52] U.S. Cl. D28/20; D23/64

[58] Field of Search D23/64; D28/20, 9, 99; 4/515-523

2,818,585 1/1958 Campbell 4/522 X
4,014,054 3/1977 Pasquarello 4/521
4,216,551 8/1980 Pasquarello 4/521

FOREIGN PATENT DOCUMENTS

1457399 4/1969 Fed. Rep. of Germany 4/518
205368 9/1939 Switzerland 4/520

Primary Examiner—James R. Largen
Attorney, Agent, or Firm—William Nitkin

[57] CLAIM

The ornamental design for a shampoo drainage tray, as shown.

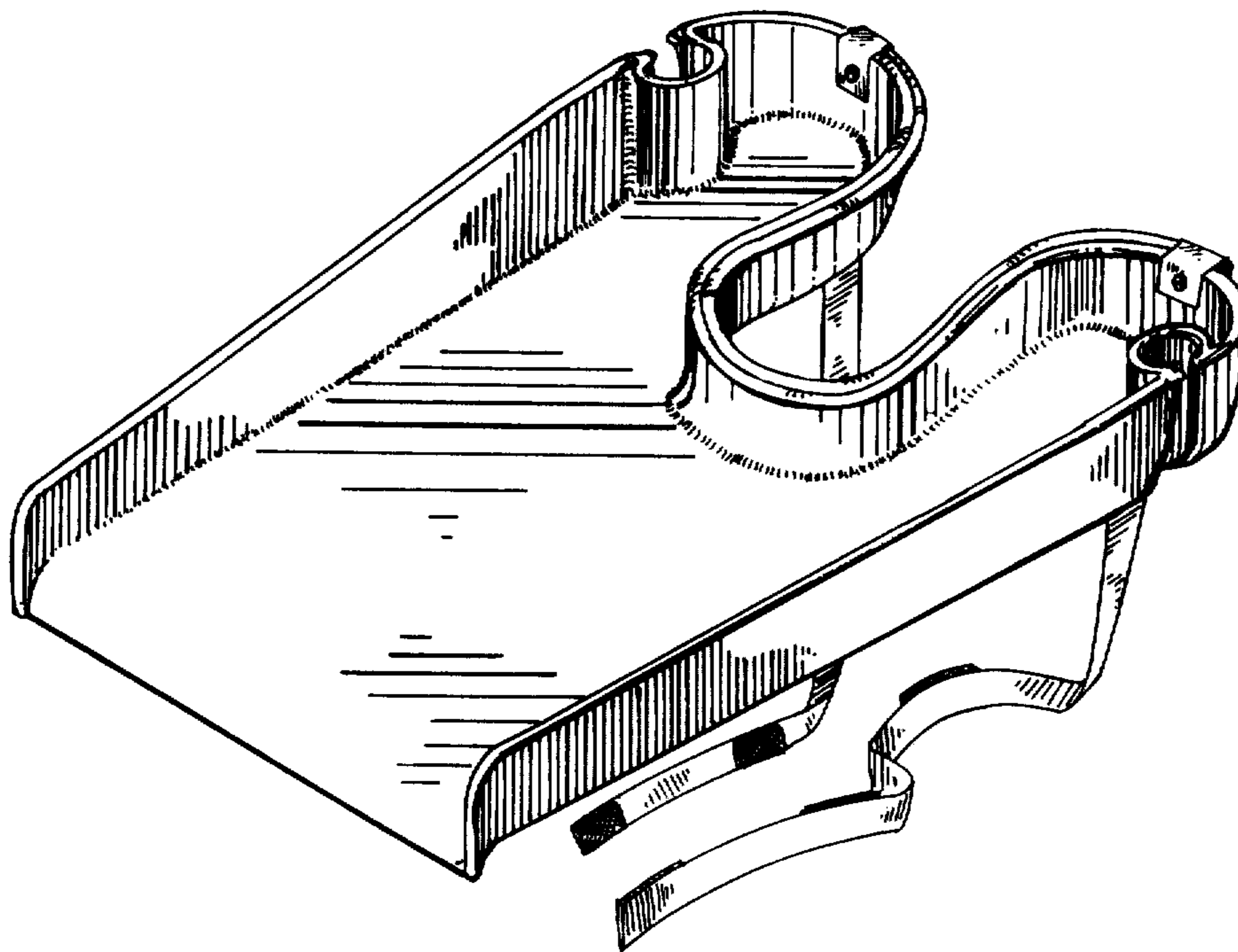
DESCRIPTION

FIG. 1 is a left side elevational view of a shampoo drainage tray showing my new design;
FIG. 2 is a right side elevational view thereof;
FIG. 3 is a rear elevational view thereof;
FIG. 4 is a front elevational view thereof;
FIG. 5 is a top plan view thereof;
FIG. 6 is a bottom plan view thereof; and
FIG. 7 is a perspective view taken from the top, front and right side thereof.

[56] References Cited

U.S. PATENT DOCUMENTS

| | | | | |
|------------|---------|-------------|-------|--------|
| D. 227,042 | 5/1973 | Altemare | | D28/20 |
| D. 232,269 | 7/1974 | Cates | | D28/20 |
| D. 241,581 | 9/1976 | Gonzales | | D28/20 |
| 2,297,639 | 9/1942 | Thauwald | | 4/520 |
| 2,301,486 | 11/1942 | Weilerstein | | 4/521 |
| 2,451,652 | 10/1948 | Bazon | | 4/520 |
| 2,521,389 | 9/1950 | McClure | | 4/522 |



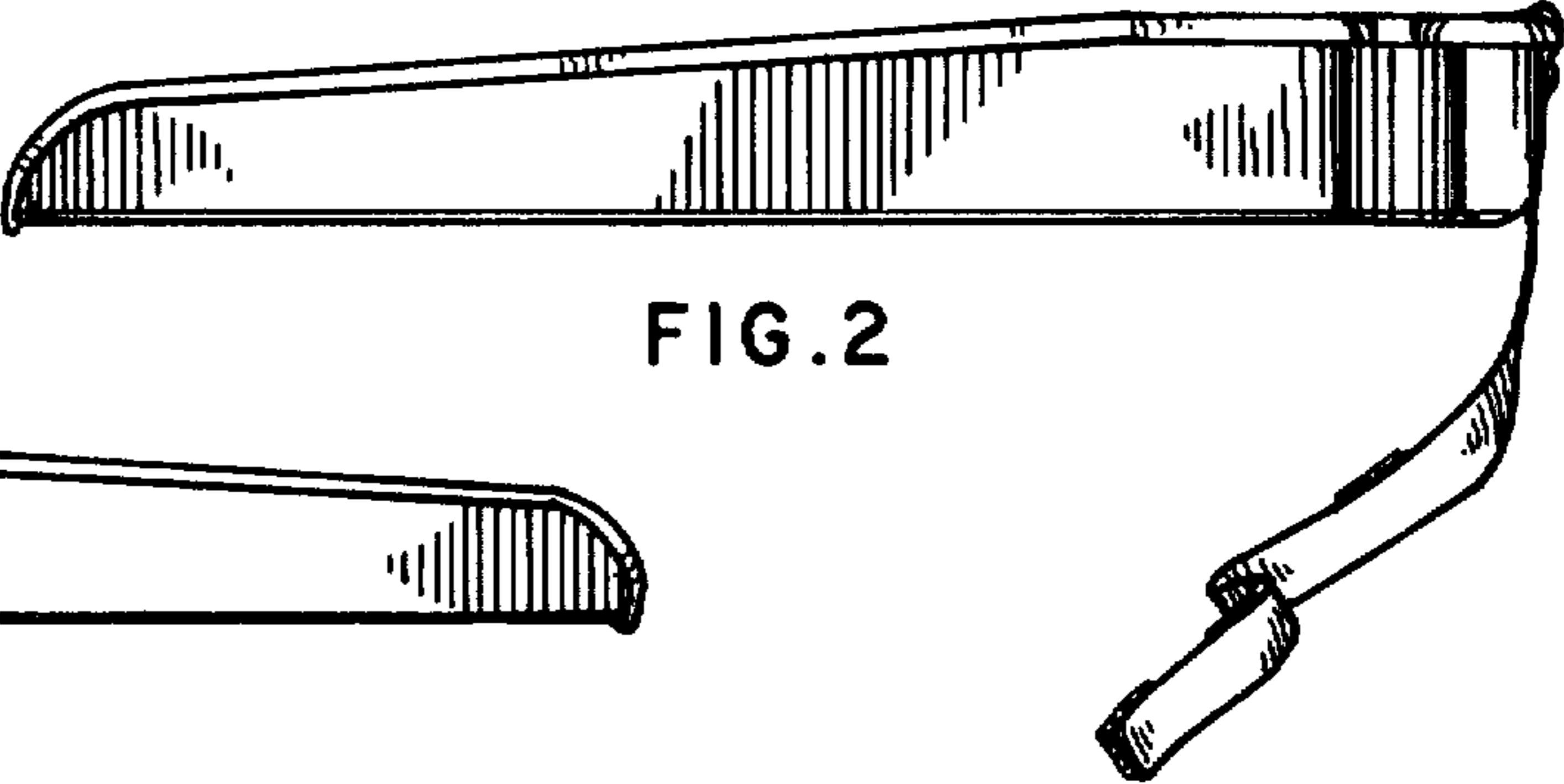


FIG. 2

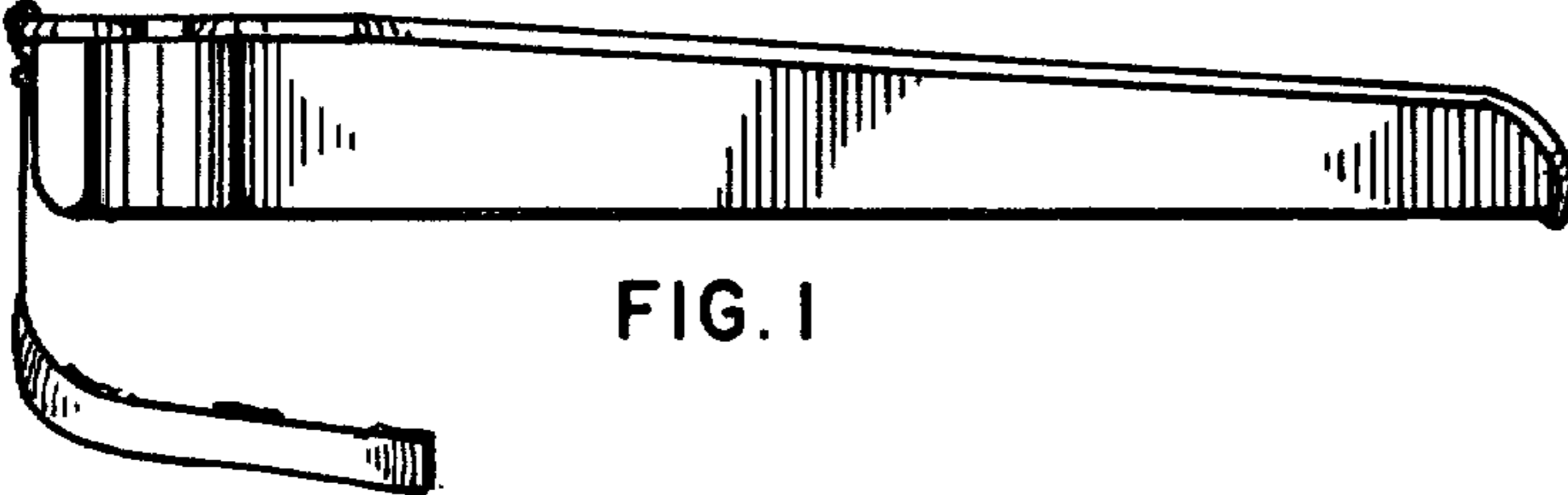


FIG. 1

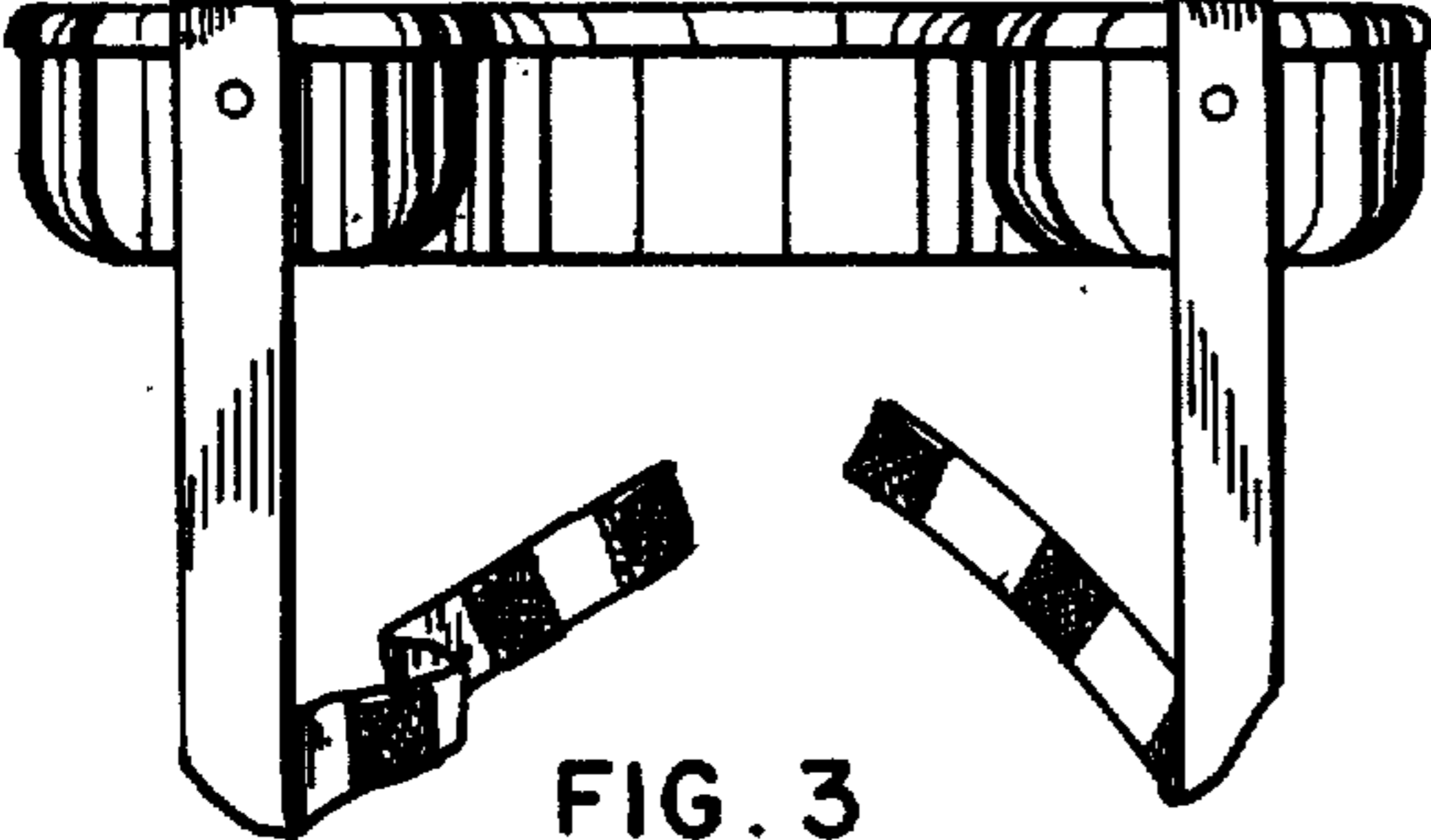


FIG. 3

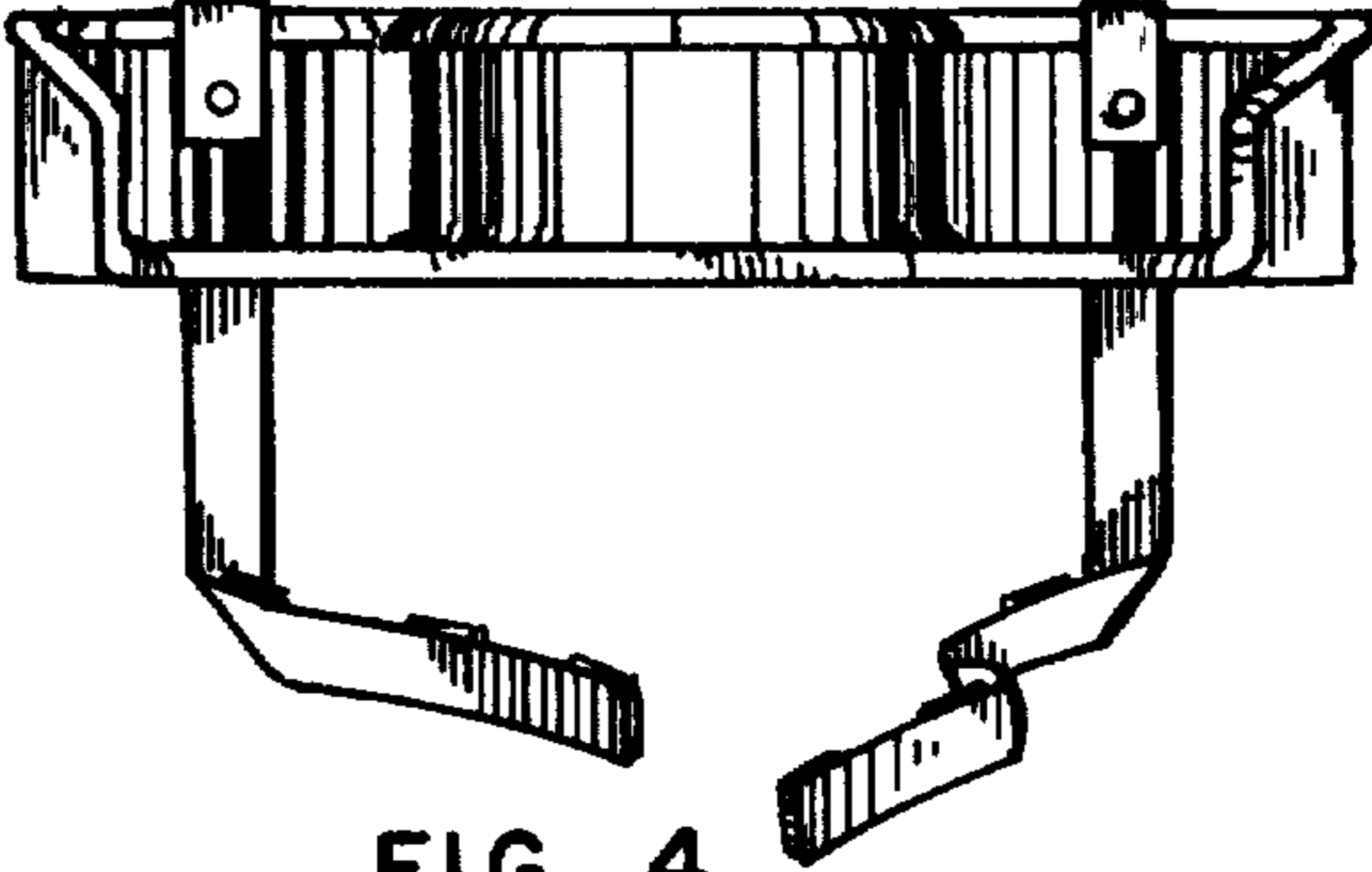


FIG. 4

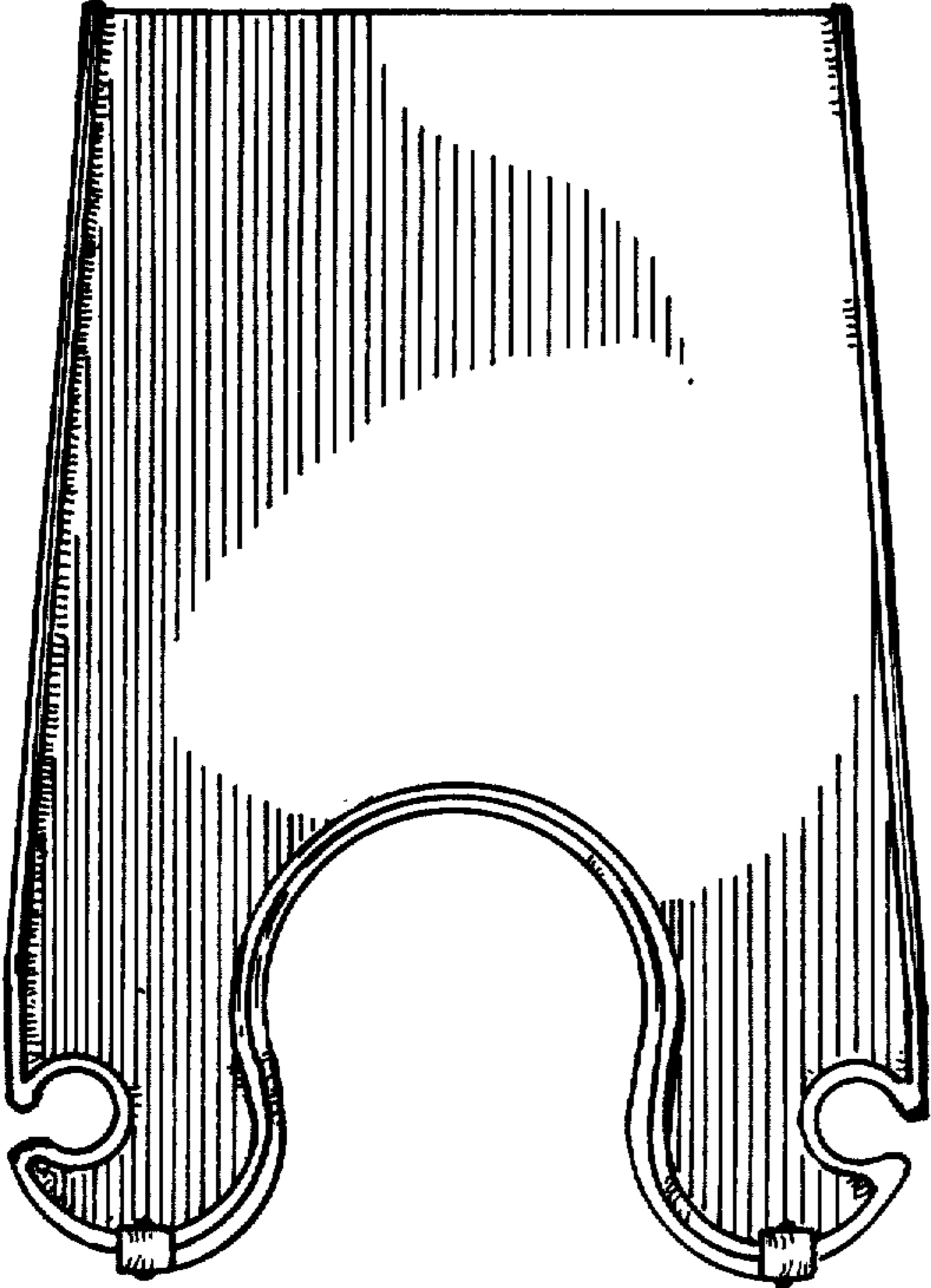


FIG. 5

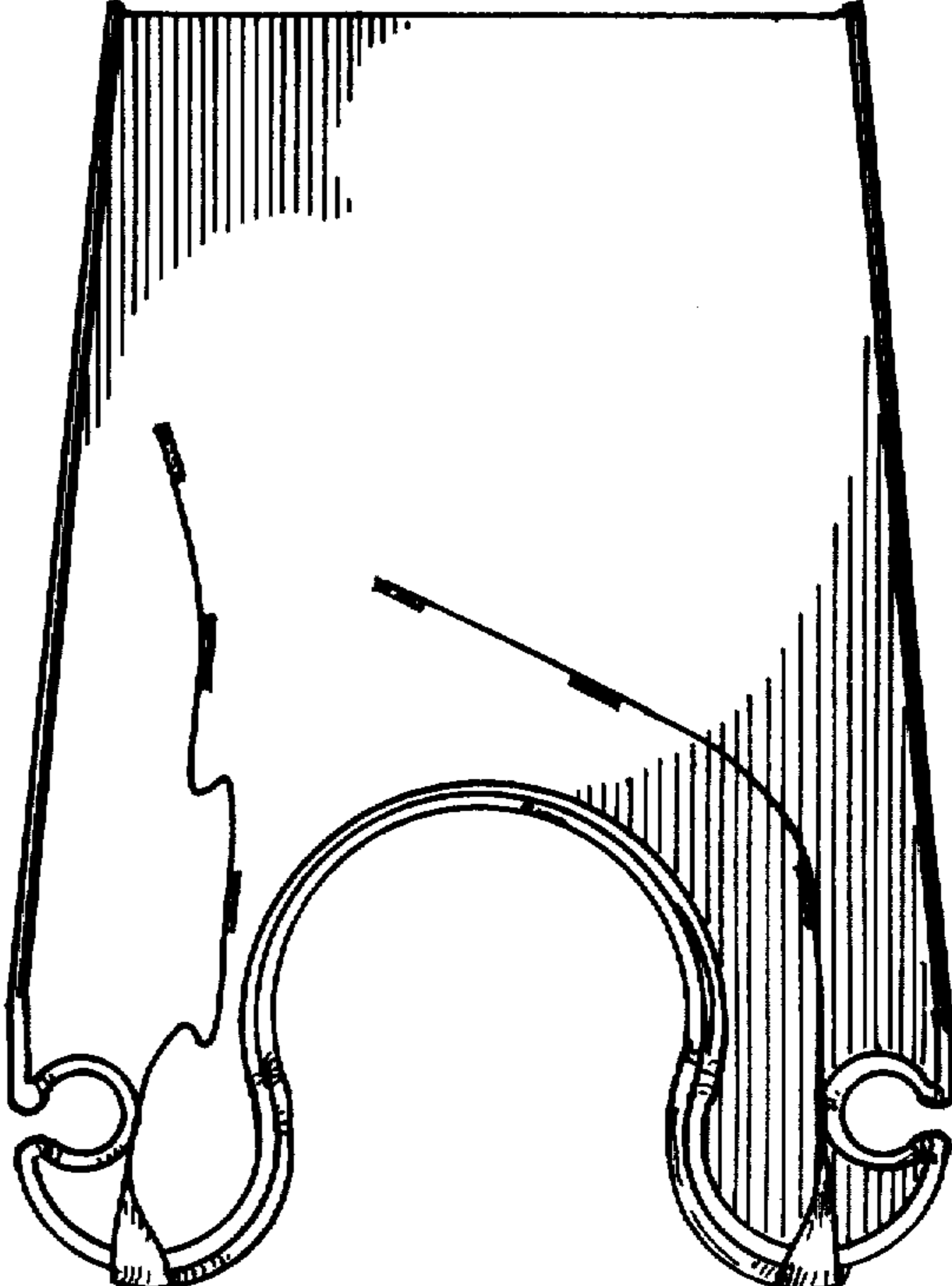


FIG. 6

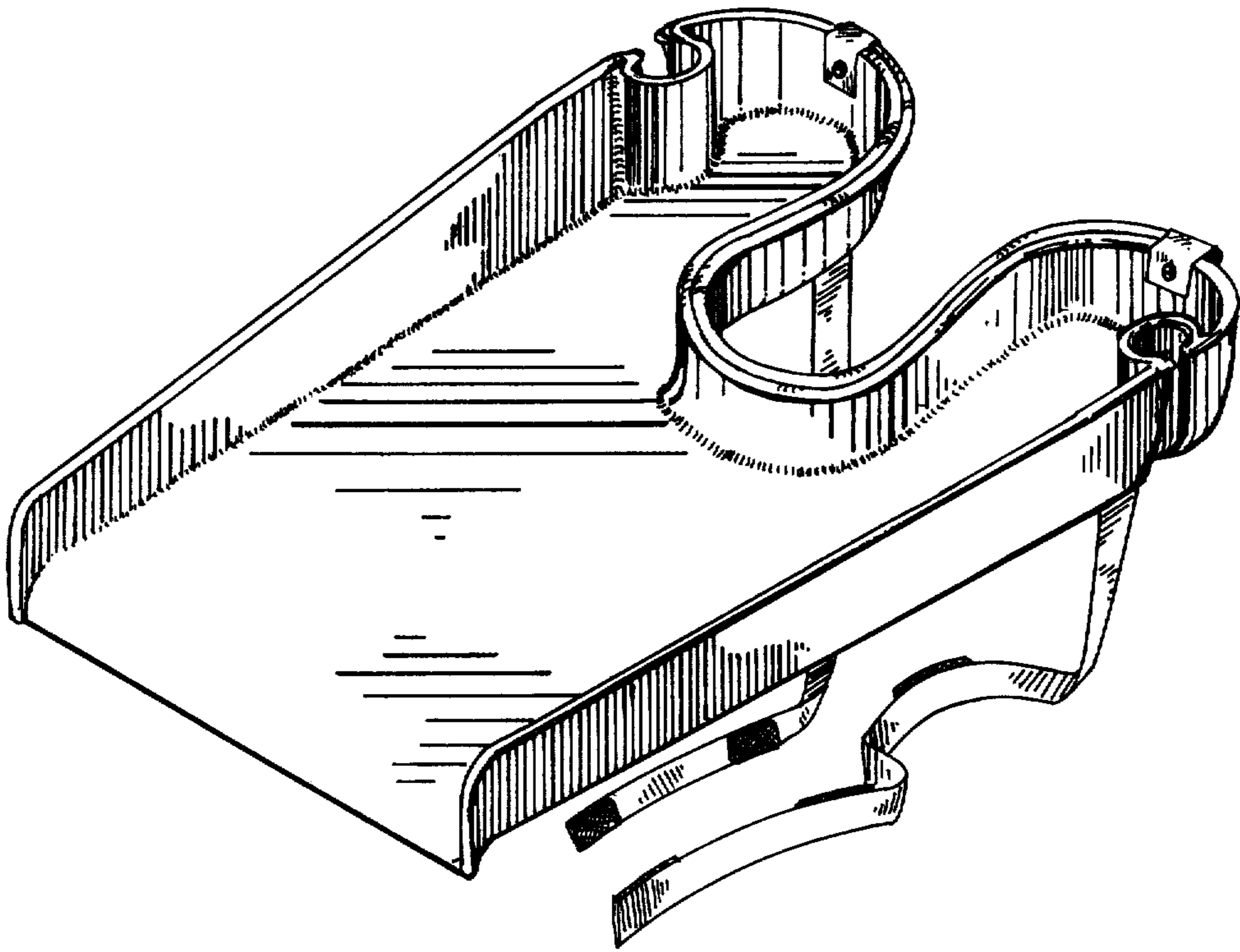


FIG. 7