

[54] PIPE

[76] Inventor: S. Franklin Sher, 609 Lochmoor, Danville, Calif. 94526

[\*\*] Term: 14 Years

[21] Appl. No.: 156,318

[22] Filed: Jun. 2, 1980

[51] Int. Cl. .... D27-02

[52] U.S. Cl. .... D27/03

[58] Field of Search .... D27/3-7; 131/170 R, 171 R, 173, 191, 195, 198 R, 216

[56] References Cited

U.S. PATENT DOCUMENTS

D. 230,775 3/1974 Frost ..... D27/3  
3,863,646 2/1975 Kahler ..... D27/3 X

Primary Examiner—Catherine E. Kemper  
Attorney, Agent, or Firm—Limbach, Limbach & Sutton

[57] CLAIM

The ornamental design for a pipe, as shown and described.

DESCRIPTION

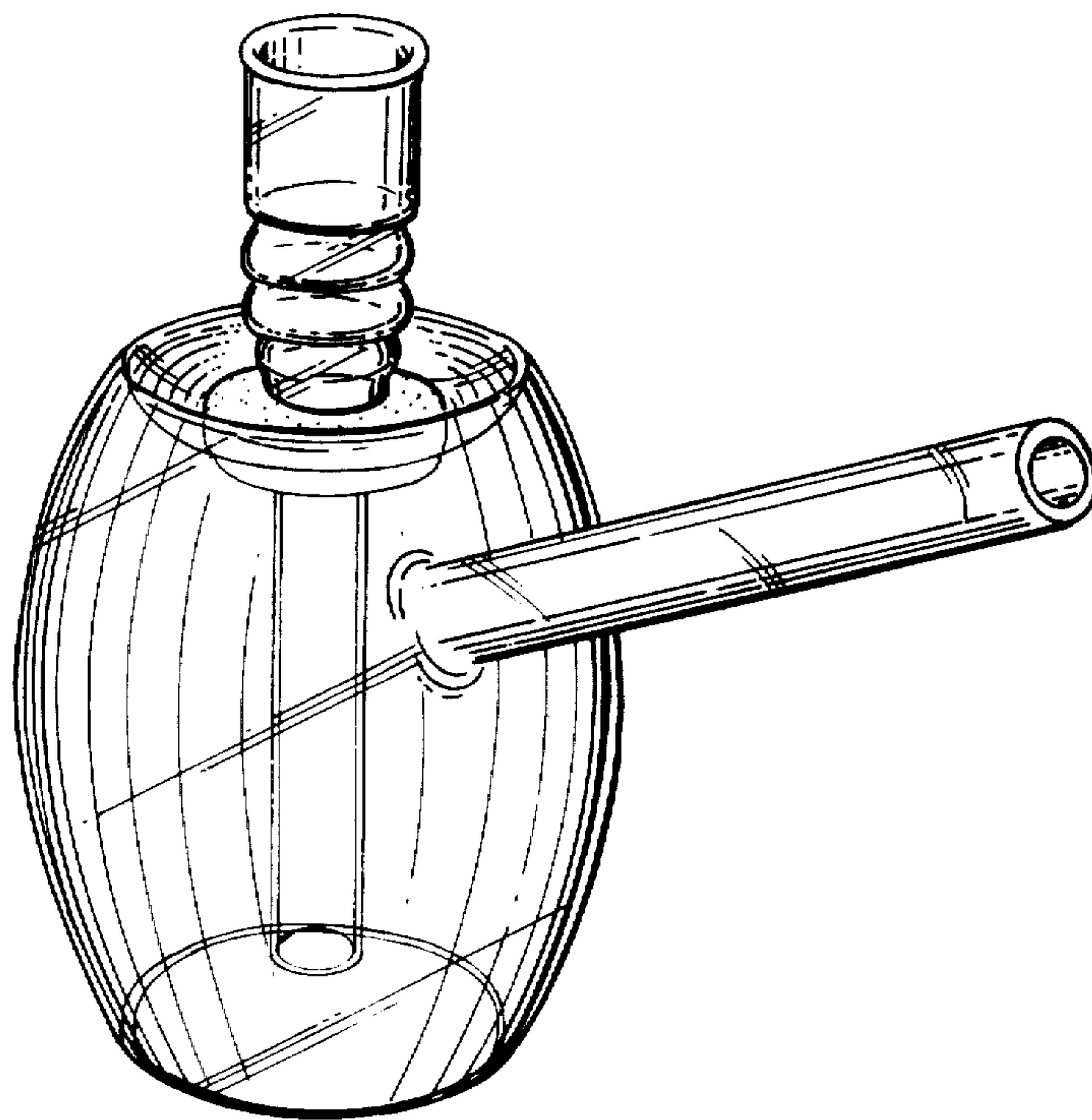
FIG. 1 is a perspective view of a pipe showing my new design;

FIG. 2 is a top plan view thereof;

FIG. 3 is a right elevational view thereof;

FIG. 4 is a rear elevational view thereof; and

FIG. 5 is a bottom plan view thereof.



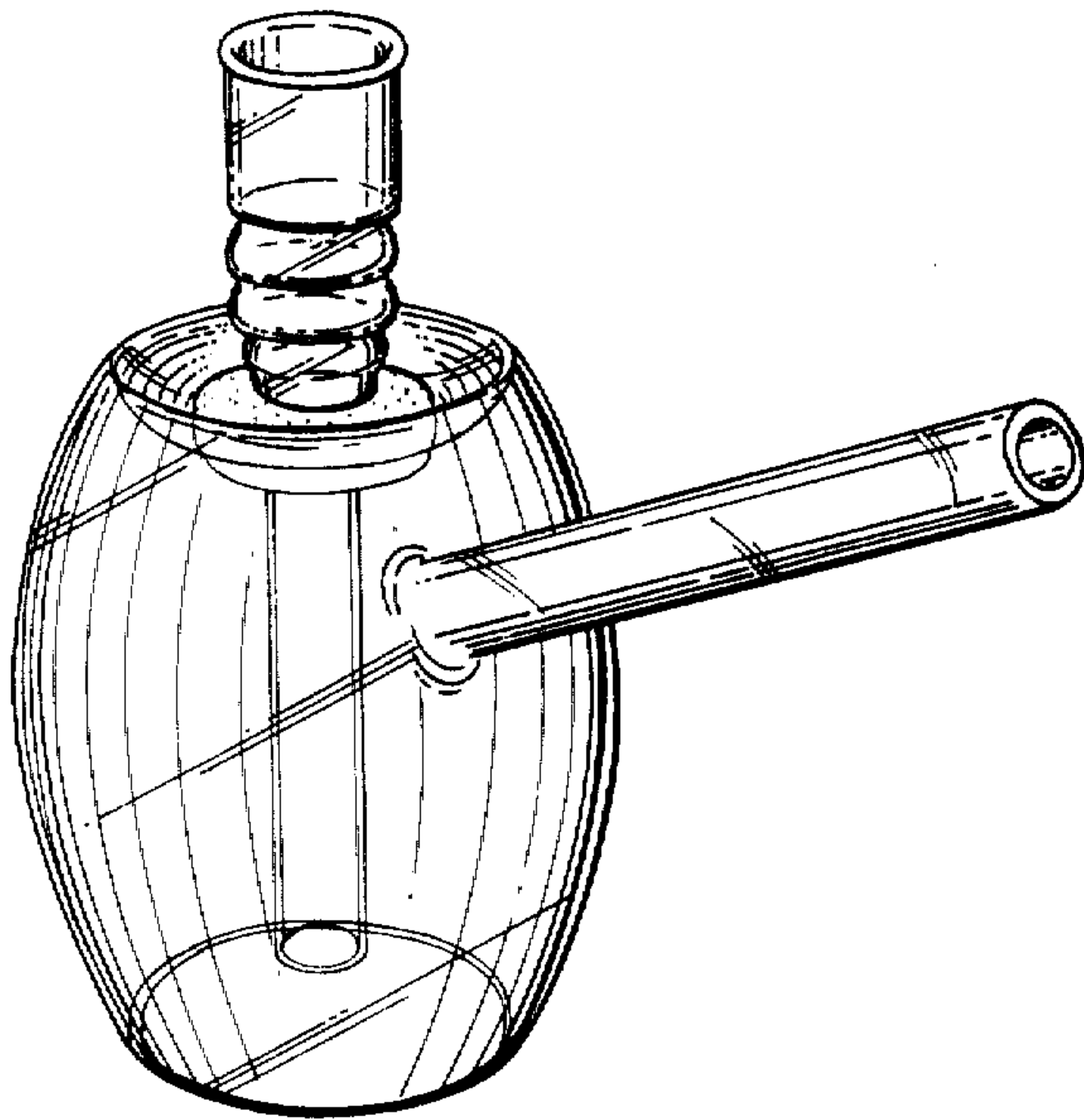


FIG. 1.

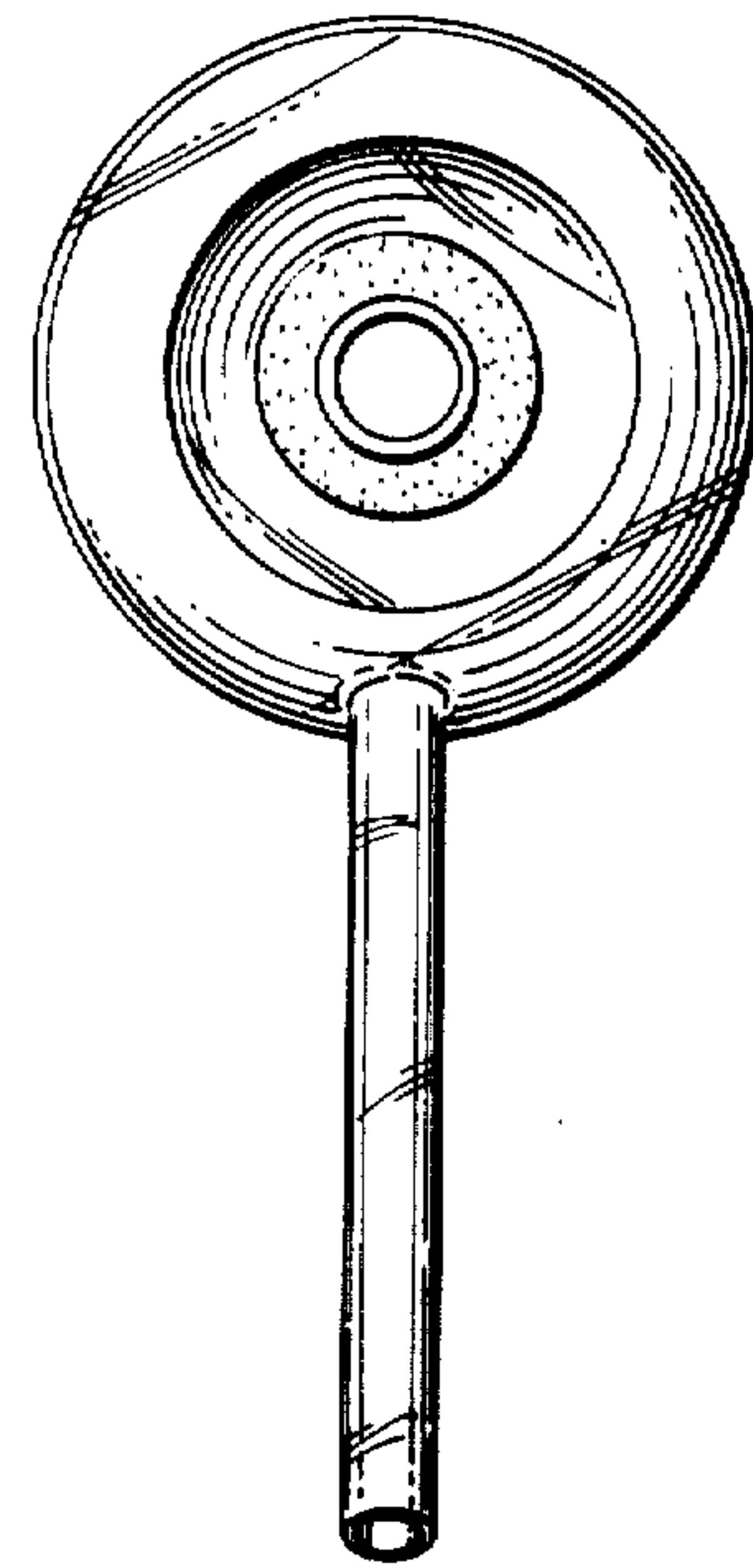


FIG. 2.

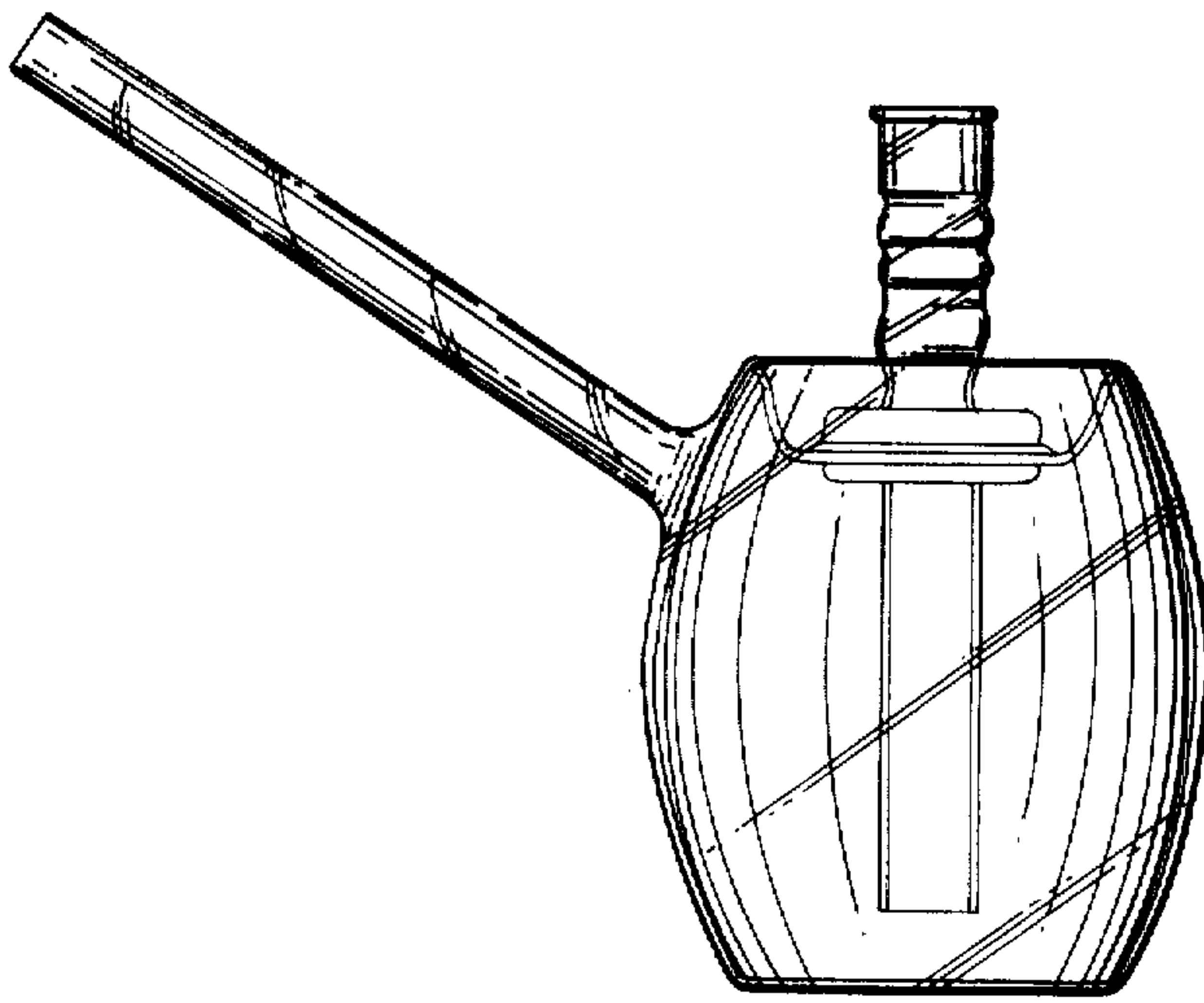


FIG. 3.

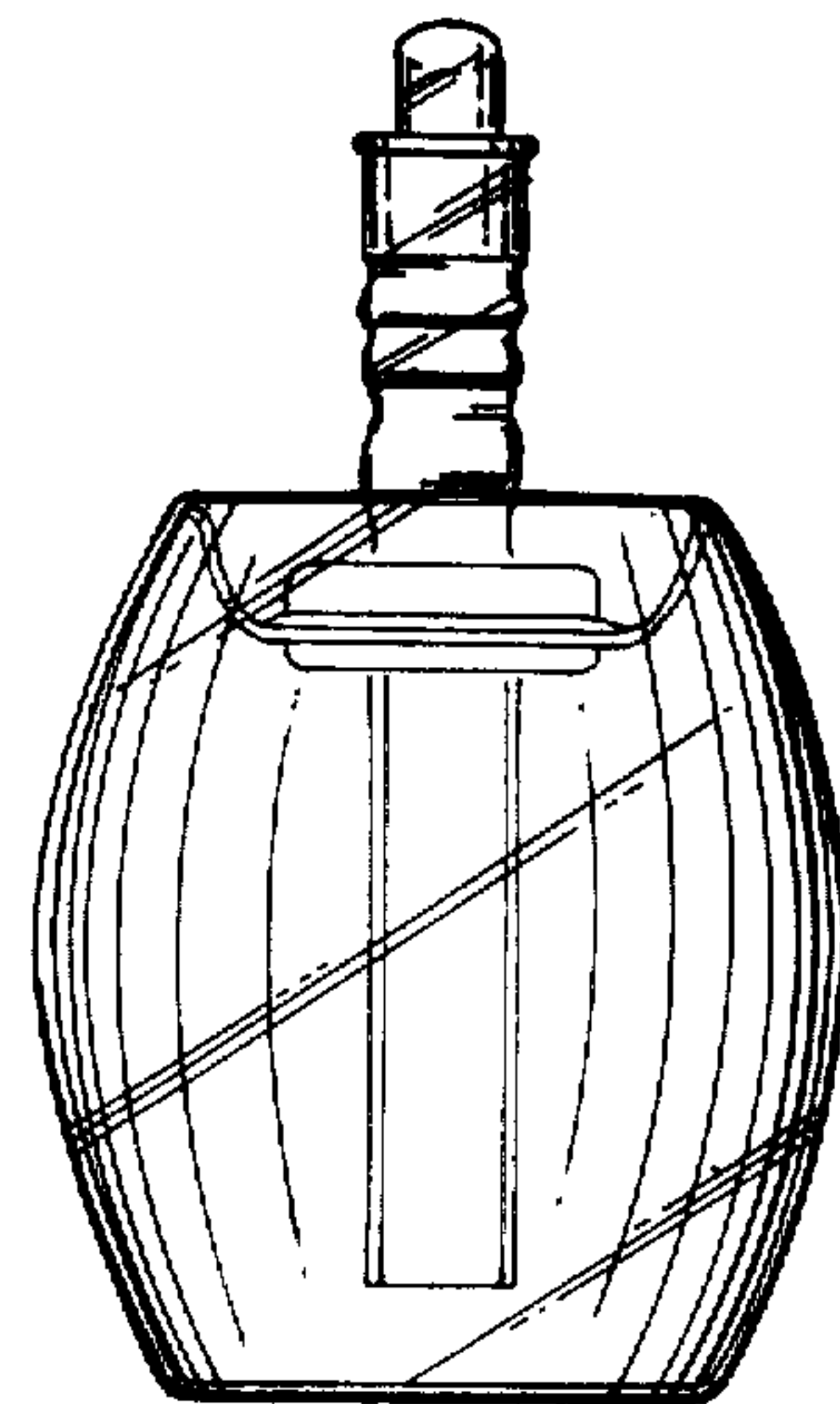


FIG. 4.

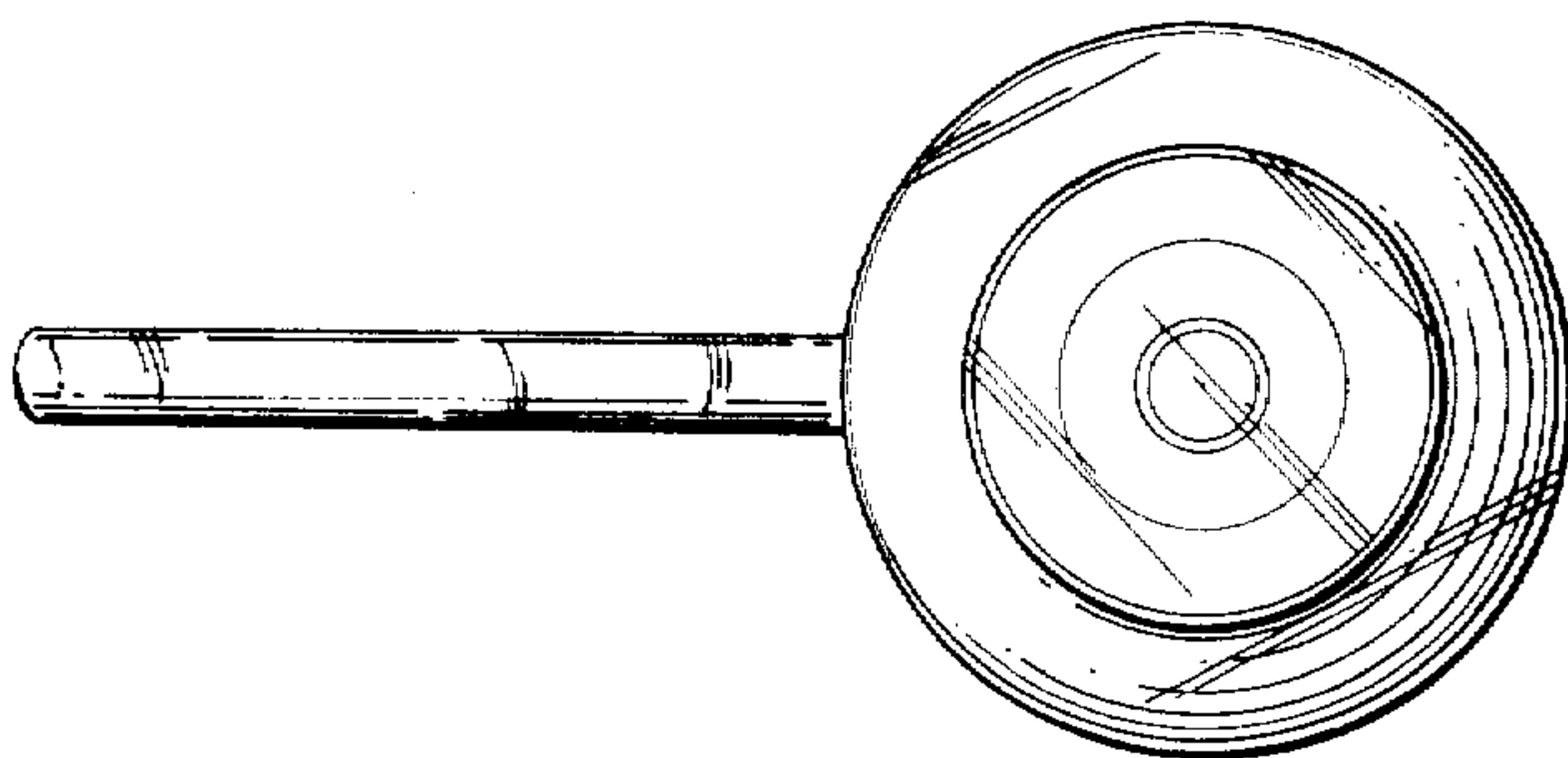


FIG. 5.