

- [54] DECORATIVE WALL LAMP
- [76] Inventor: Terry C. Stekelberg, R.R. #1,
Pardeeville, Wis. 53954
- [**] Term: 14 Years
- [21] Appl. No.: 963,846
- [22] Filed: Nov. 27, 1978
- [51] Int. Cl. D26—05
- [52] U.S. Cl. D26/87
- [58] Field of Search D48/4 B, 16 B; 362/432,
362/362, 363, 404, 405, 406, 407, 350, 351, 371;
D26/72, 85, 128, 129, 87

[56] **References Cited**
U.S. PATENT DOCUMENTS

- D. 79,099 7/1929 Reimer D26/85 X
- D. 231,630 5/1974 Sherry D26/85

FOREIGN PATENT DOCUMENTS

- 568028 1/1933 Fed. Rep. of Germany 362/363
- 408065 1/1934 United Kingdom 362/363

OTHER PUBLICATIONS

Home Lighting & Accessories, 8-72, p. 12—Swag Lamp (left).

Primary Examiner—Susan J. Lucas

[57] **CLAIM**

The ornamental design for a decorative wall lamp, as shown and described.

DESCRIPTION

FIG. 1 is a perspective view of a decorative wall lamp showing my new design.
FIG. 2 is a sectional view of the decorative wall lamp taken along line 2—2 of FIG. 3.
FIG. 3 is a top plan view of the decorative wall lamp of FIG. 1.
FIG. 4 is a bottom plan view of the decorative wall lamp of FIG. 1.
FIG. 5 is a rear view of the decorative wall lamp of FIG. 1.
The light bulb and socket are shown in broken lines for illustrative purposes only.

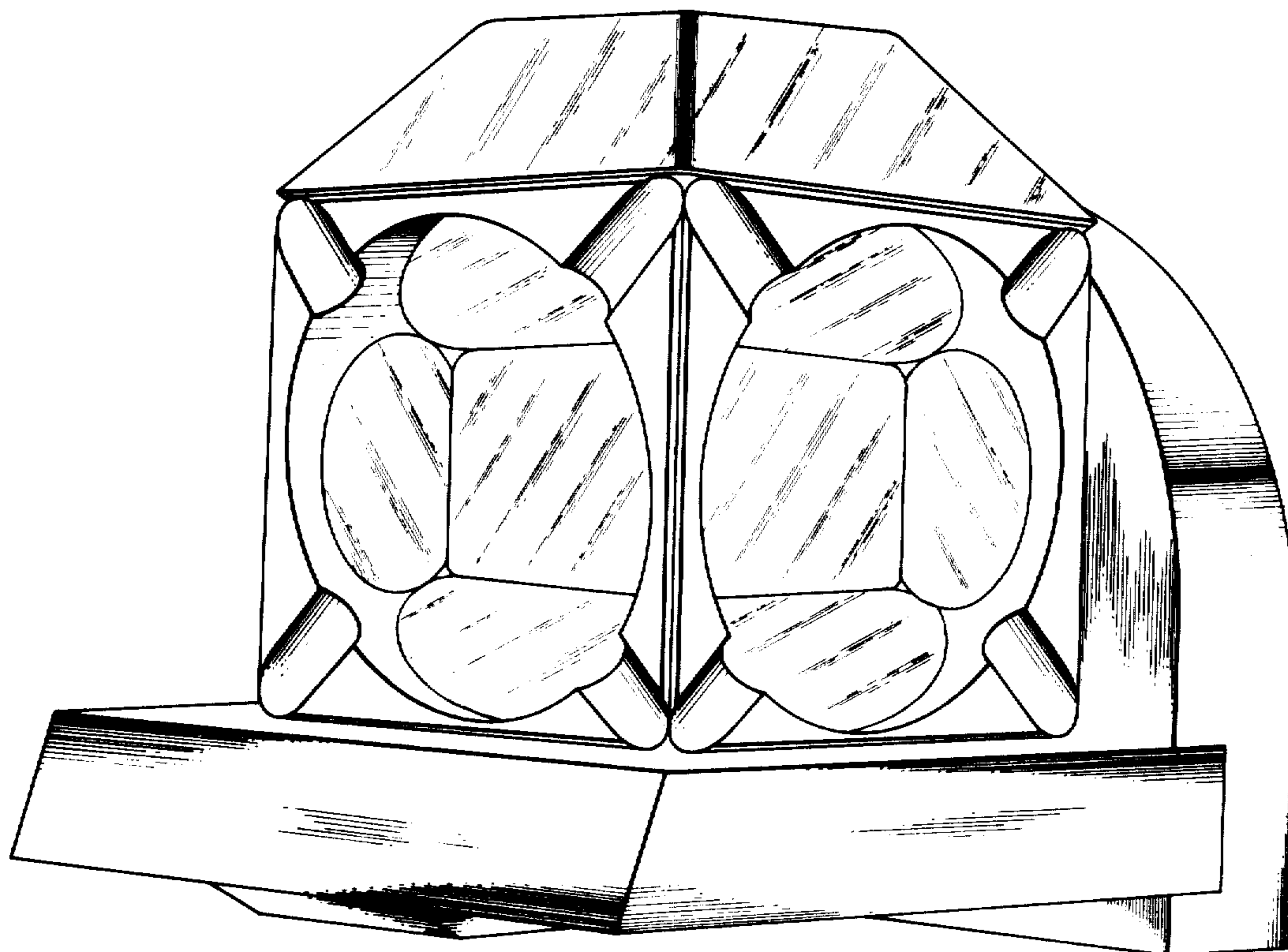


FIG. 1

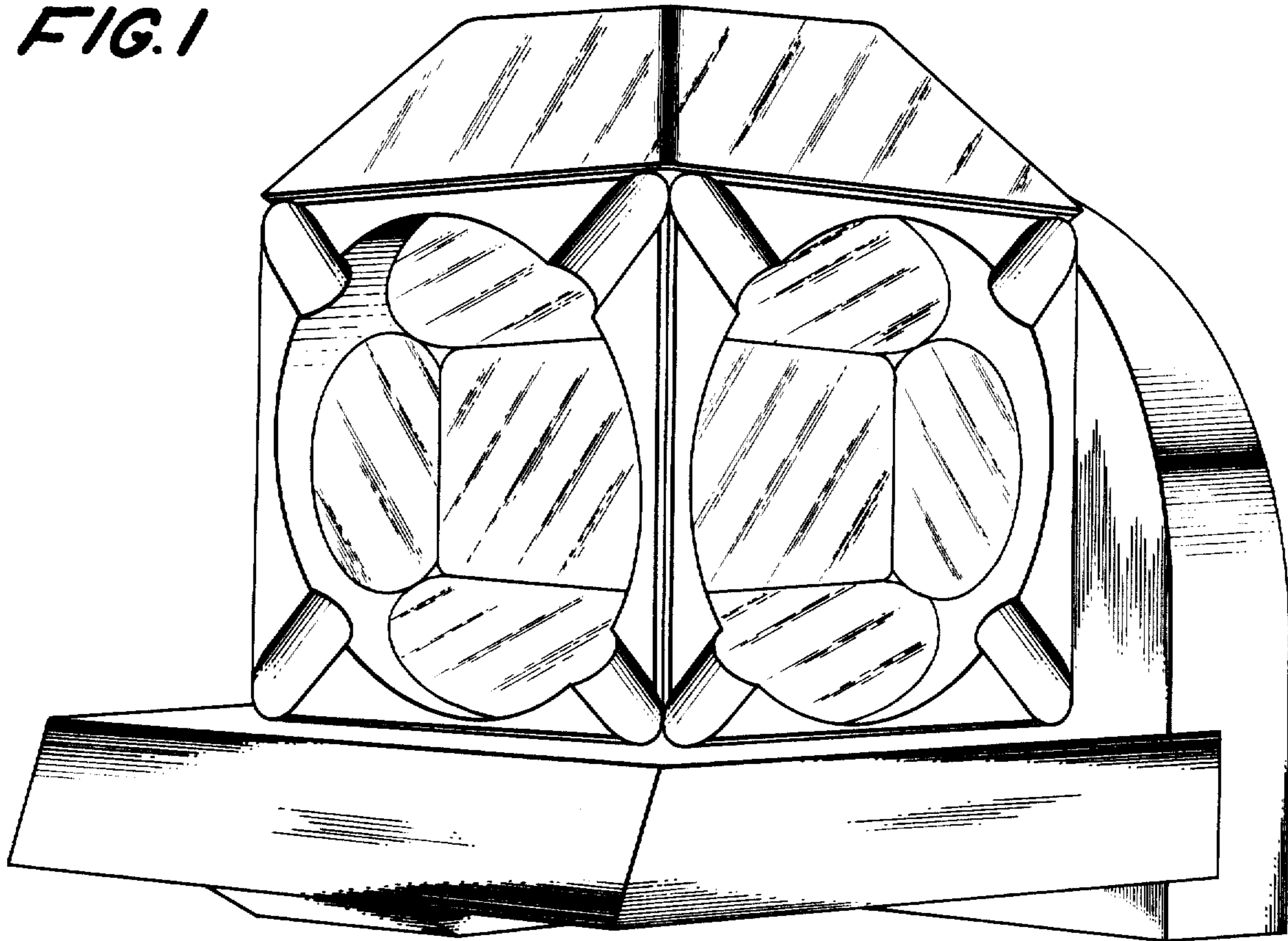


FIG. 2

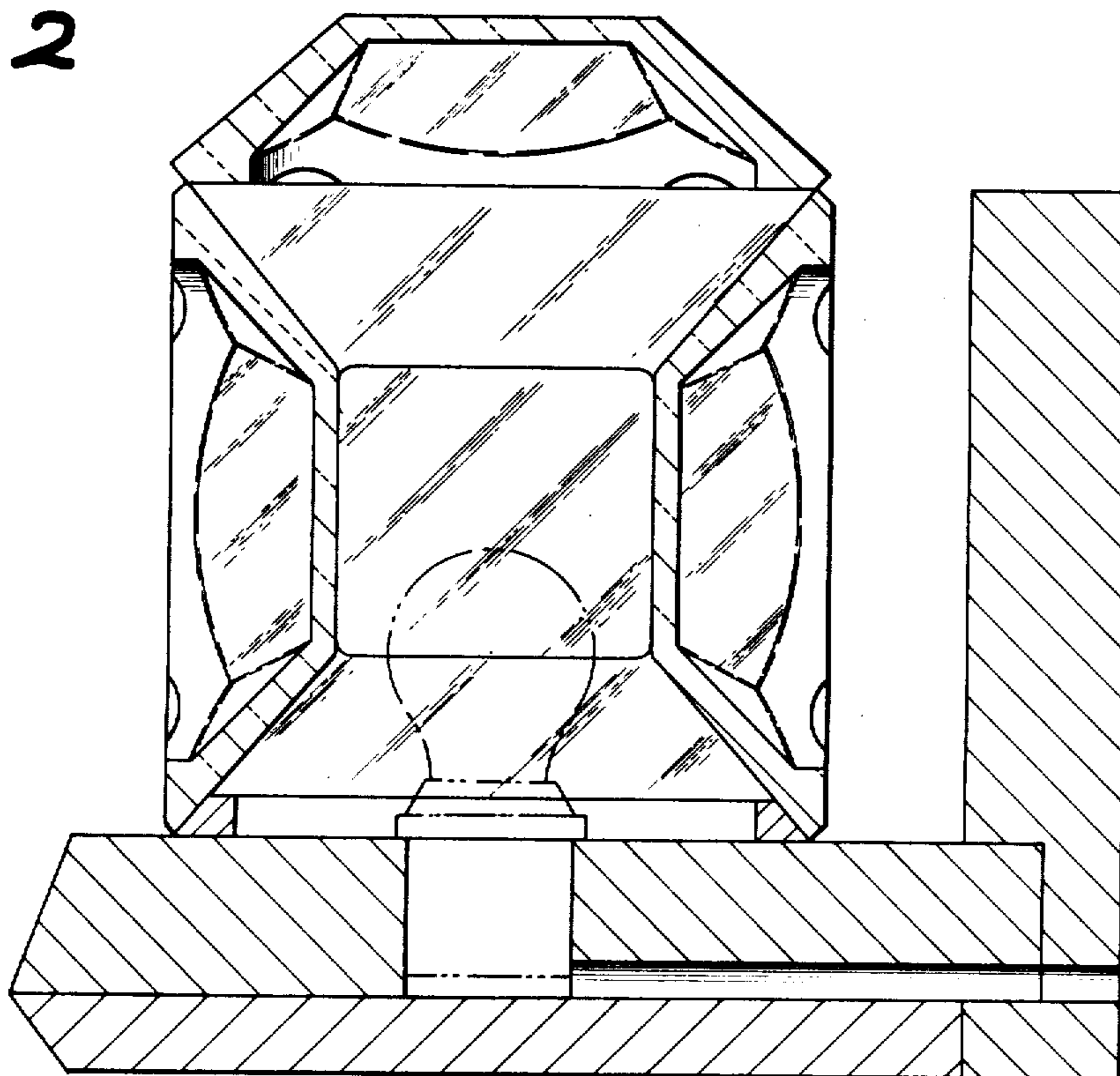
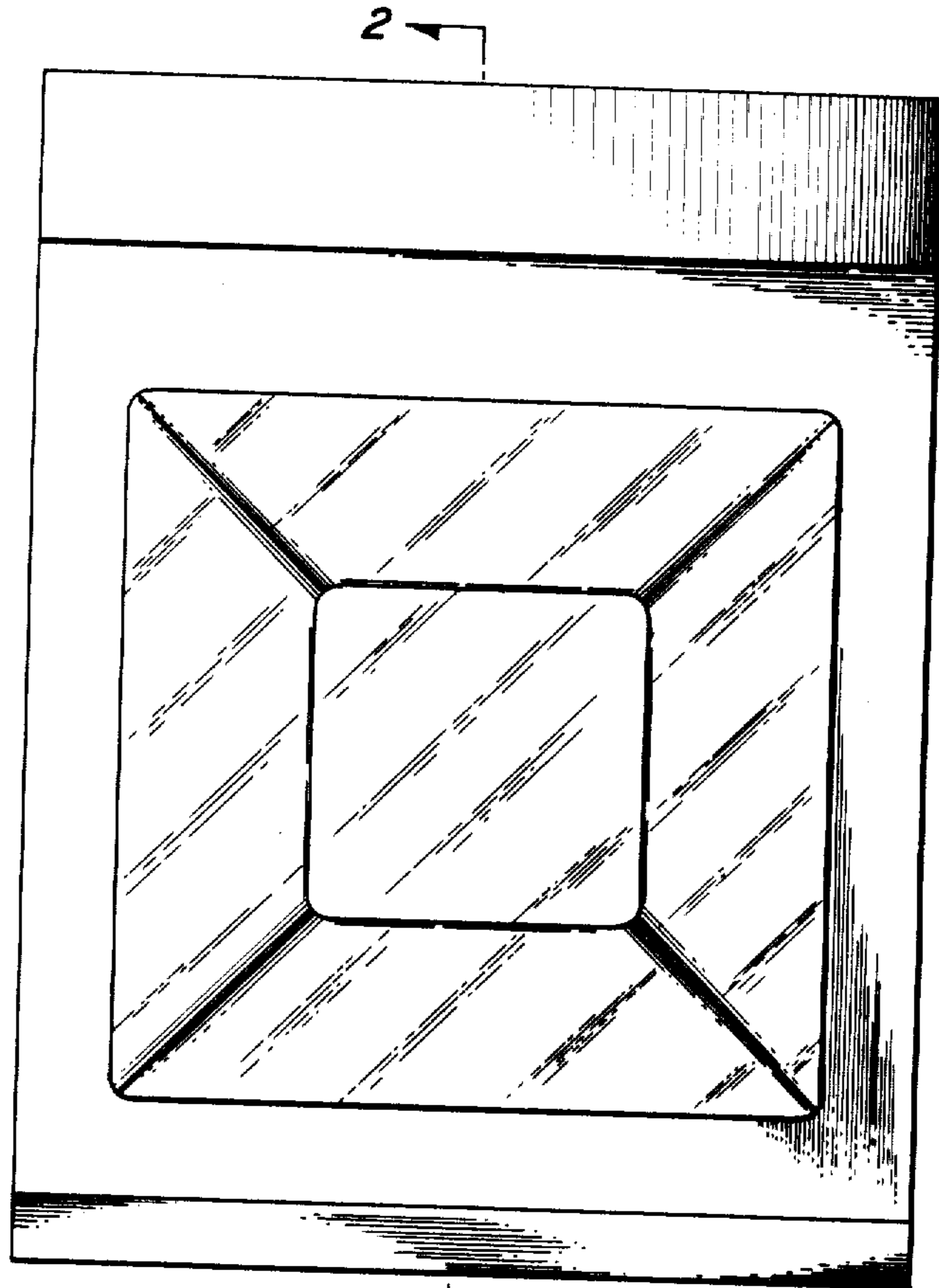


FIG. 3



2

FIG. 4

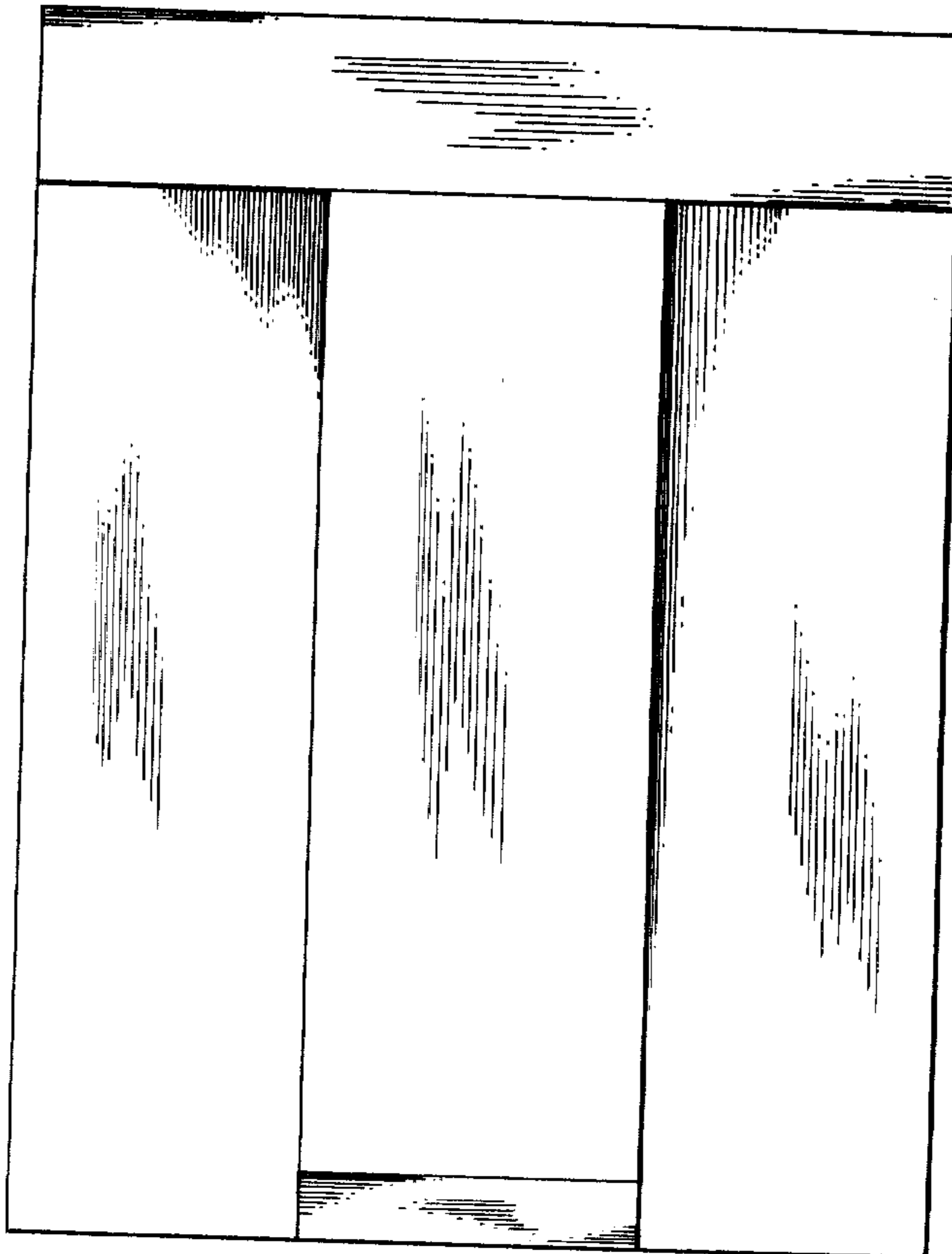


FIG. 5

