

[54] EMERGENCY SHELTER FOR UNDERGROUND INSTALLATION

[76] Inventor: James H. Ballard, 513 Bexar Ave., Hamilton, Ala. 35570

[**] Term: 14 Years

[21] Appl. No.: 130,076

[22] Filed: Mar. 13, 1980

[51] Int. Cl. D25-01

[52] U.S. Cl. D25/36; D25/19

[58] Field of Search 109/15; 52/169.6, 81; D25/1, 13, 18, 19, 31, 32, 36; D23/2

[56] References Cited

U.S. PATENT DOCUMENTS

- D. 132,569 5/1942 Turner D23/2
- D. 242,446 11/1976 McNabb D25/36
- 2,936,504 5/1960 Harris D25/36 X

- 3,164,111 1/1965 Lann 109/1.5
- 3,196,813 7/1965 McHugh, Jr. 52/169.6 X

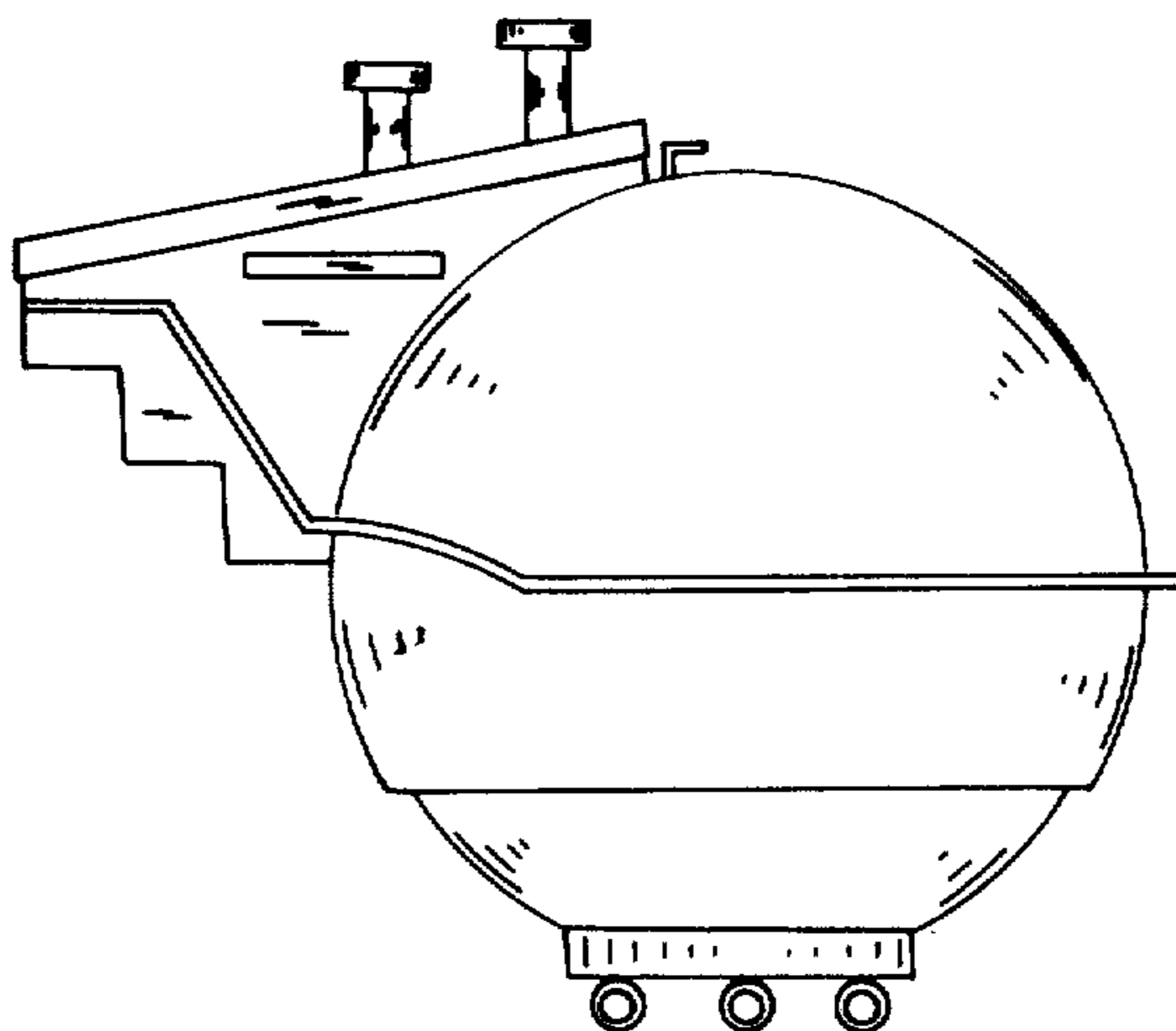
Primary Examiner—A. Hugo Word
Attorney, Agent, or Firm—C. A. Phillips

[57] CLAIM

The ornamental design for an emergency shelter for underground installation, substantially as shown and described.

DESCRIPTION

FIG. 1 is a bottom plan view of the ornamental design for an emergency shelter for underground installation. FIG. 2 is a top plan view of the design. FIG. 3 is a side elevational view of the design taken from one side of the design. A view taken from the opposite side of the design would be the mirror image of this view. FIG. 4 is a rear elevational view of the design. FIG. 5 is a front elevational view of the design.



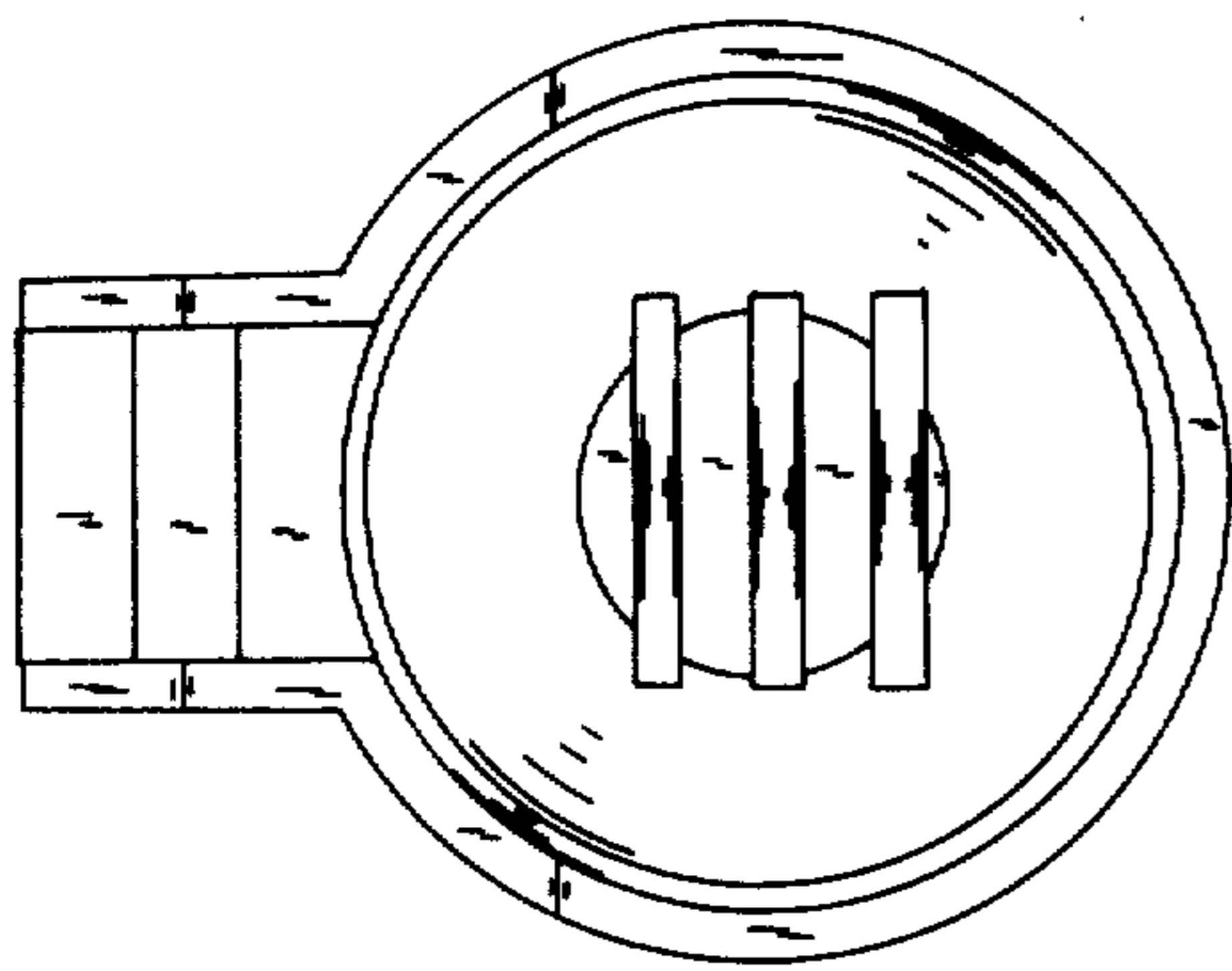


FIG. 1

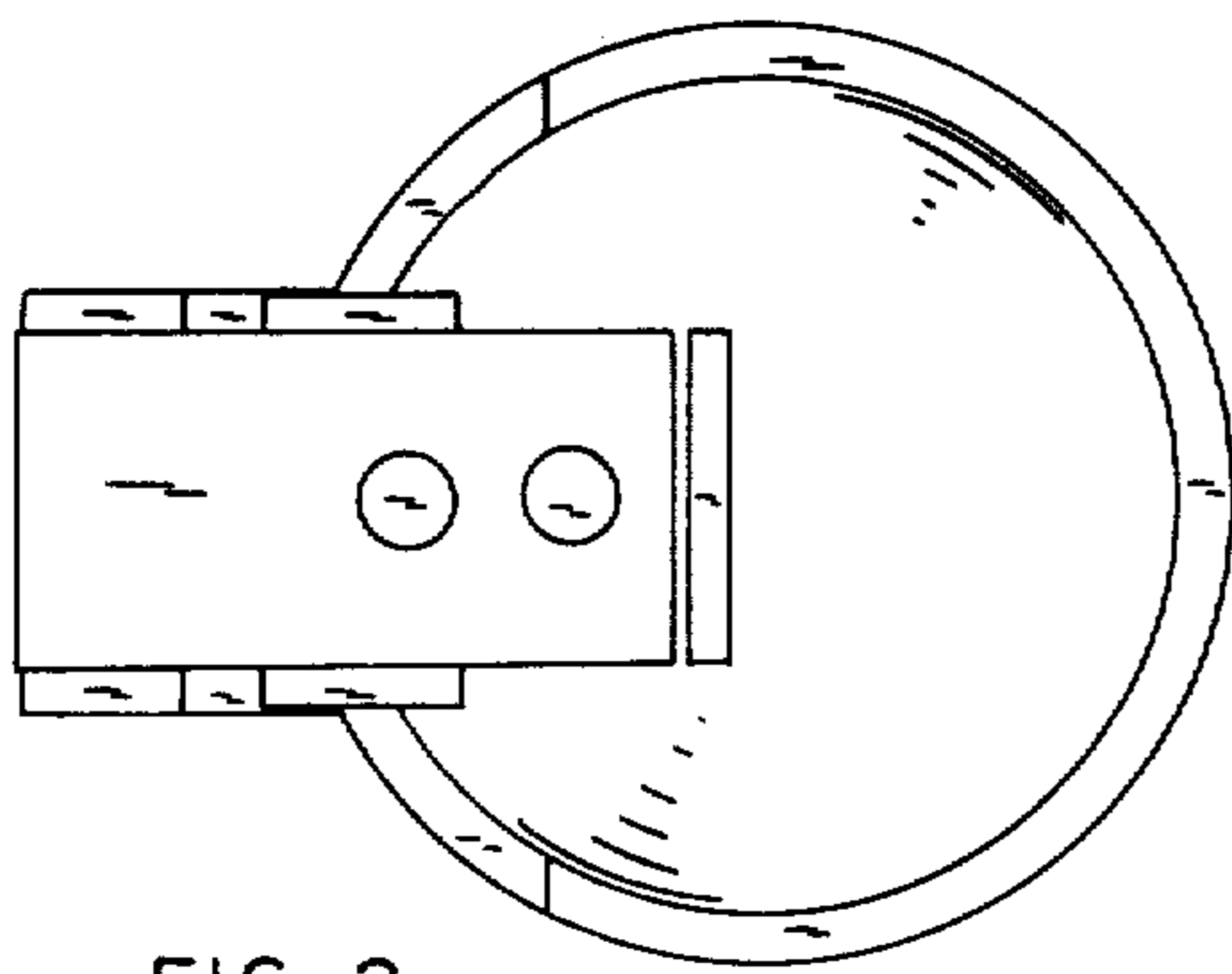


FIG. 2

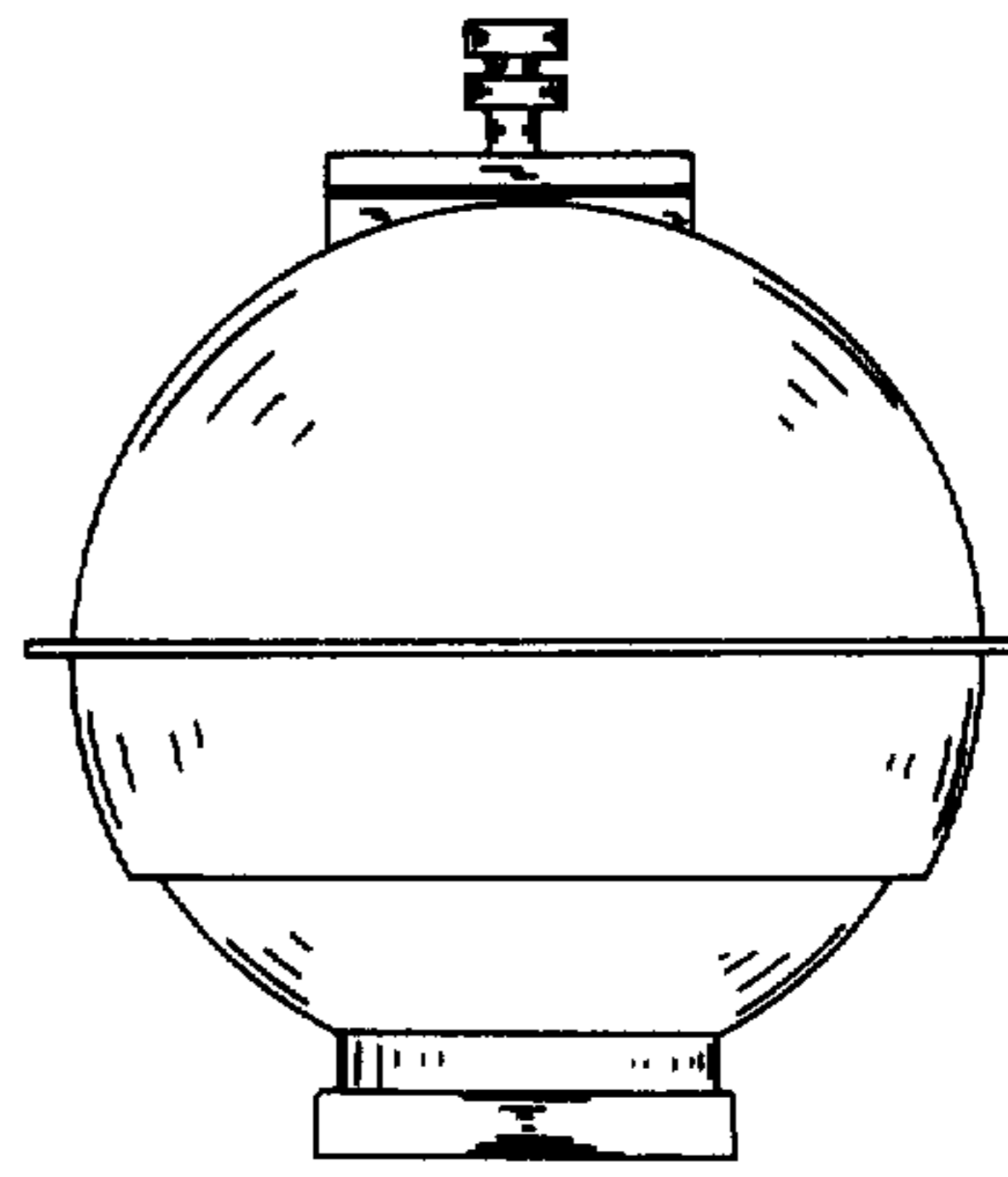


FIG. 4

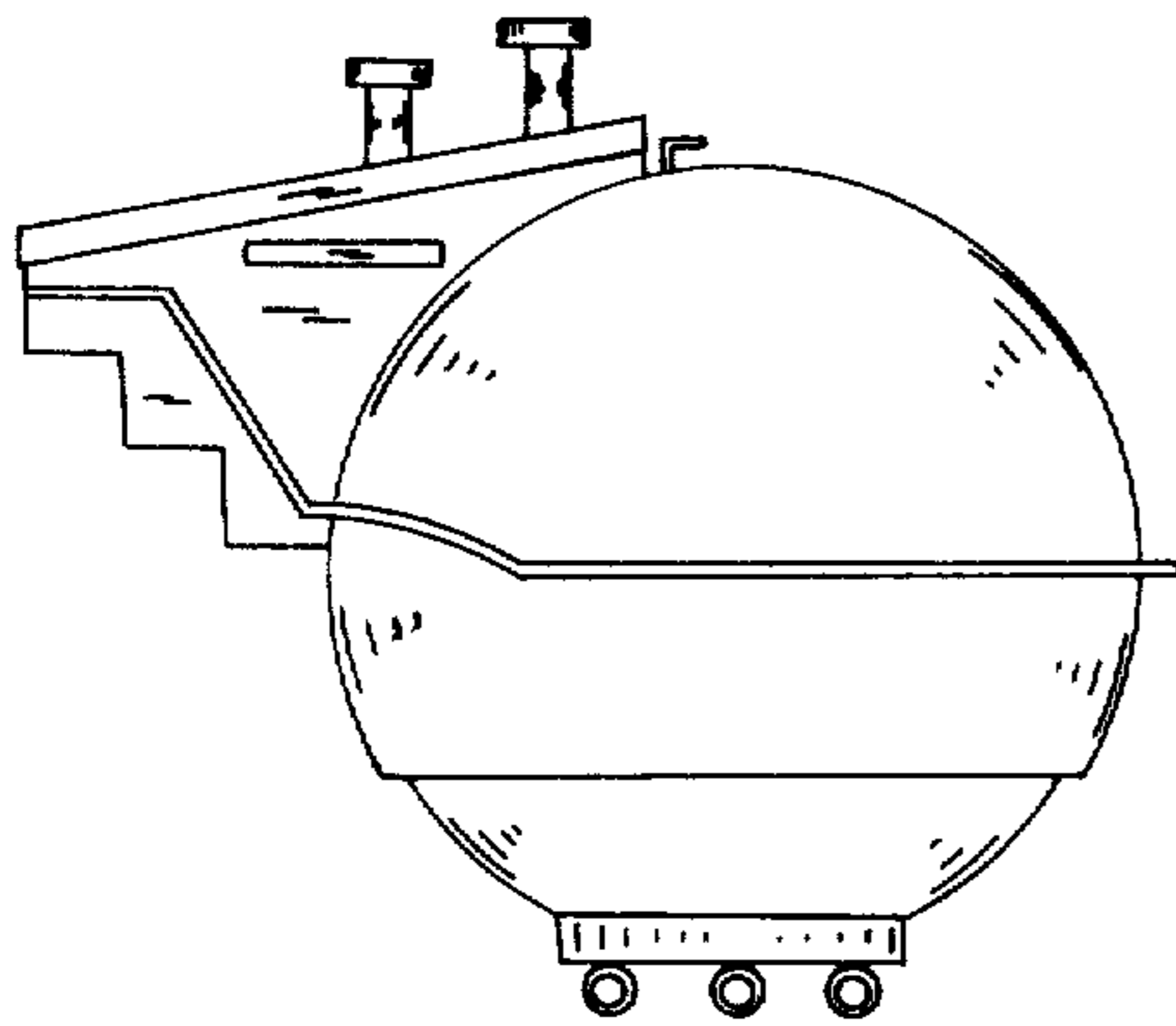


FIG. 3

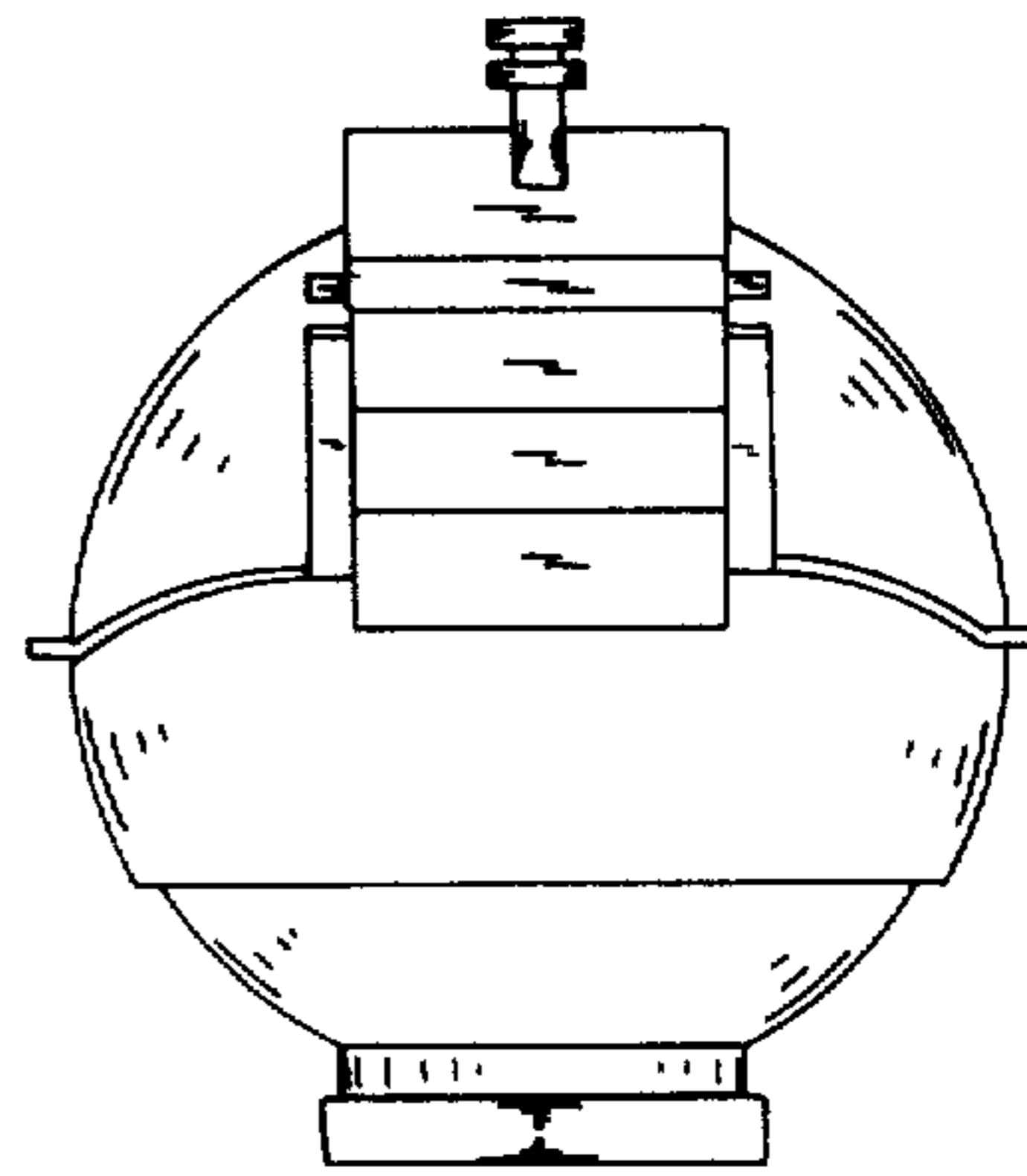


FIG. 5