

[54] **RACK FOR HOLDING DENTAL INSTRUMENTS**

2,194,417 3/1940 Bowes ..... 211/60 T UX  
3,270,416 9/1966 Massa ..... 211/69 X

[76] Inventor: **Robert A. Anson**, 1423 Stony Brook Rd., Stony Brook, N.Y. 11790

*Primary Examiner*—Bernard Ansher  
*Attorney, Agent, or Firm*—Kevin Redmond

[\*\*] Term: **14 Years**

[57] **CLAIM**

[21] Appl. No.: **885,100**

The design of a rack for holding dental instruments, as shown and described.

[22] Filed: **Mar. 9, 1978**

**DESCRIPTION**

[51] Int. Cl. .... **D24—02**

FIG. 1 is a right side elevation of a rack for holding dental instruments showing my new design; FIG. 2 is a left side elevation thereof; FIG. 3 is a front elevation thereof; FIG. 4 is a rear elevation thereof; FIG. 5 is bottom plan view thereof; and FIG. 6 is a front perspective thereof.

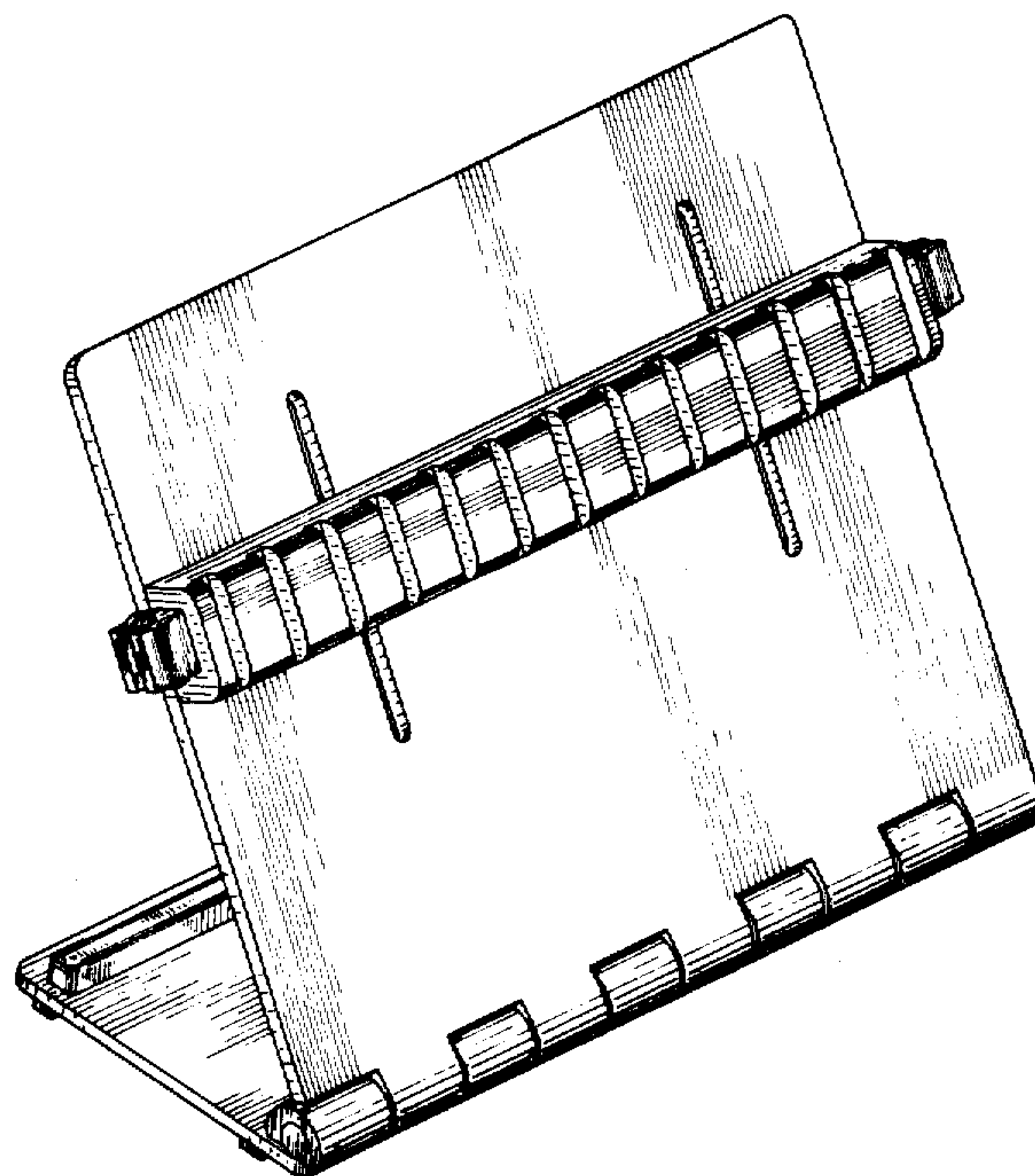
[52] U.S. Cl. .... **D24/16; D6/157; D6/188**

[58] Field of Search ..... D6/157, 180, 188; 211/60 T, 69; D24/16; 312/209; D24/99, 29, 17

[56] **References Cited**

**U.S. PATENT DOCUMENTS**

- D. 180,106 4/1957 Seifert ..... D24/16 X
- D. 227,727 7/1973 Beder ..... D6/180
- D. 240,537 7/1976 Sronce ..... D24/16
- D. 247,598 3/1978 Kearney ..... D6/188



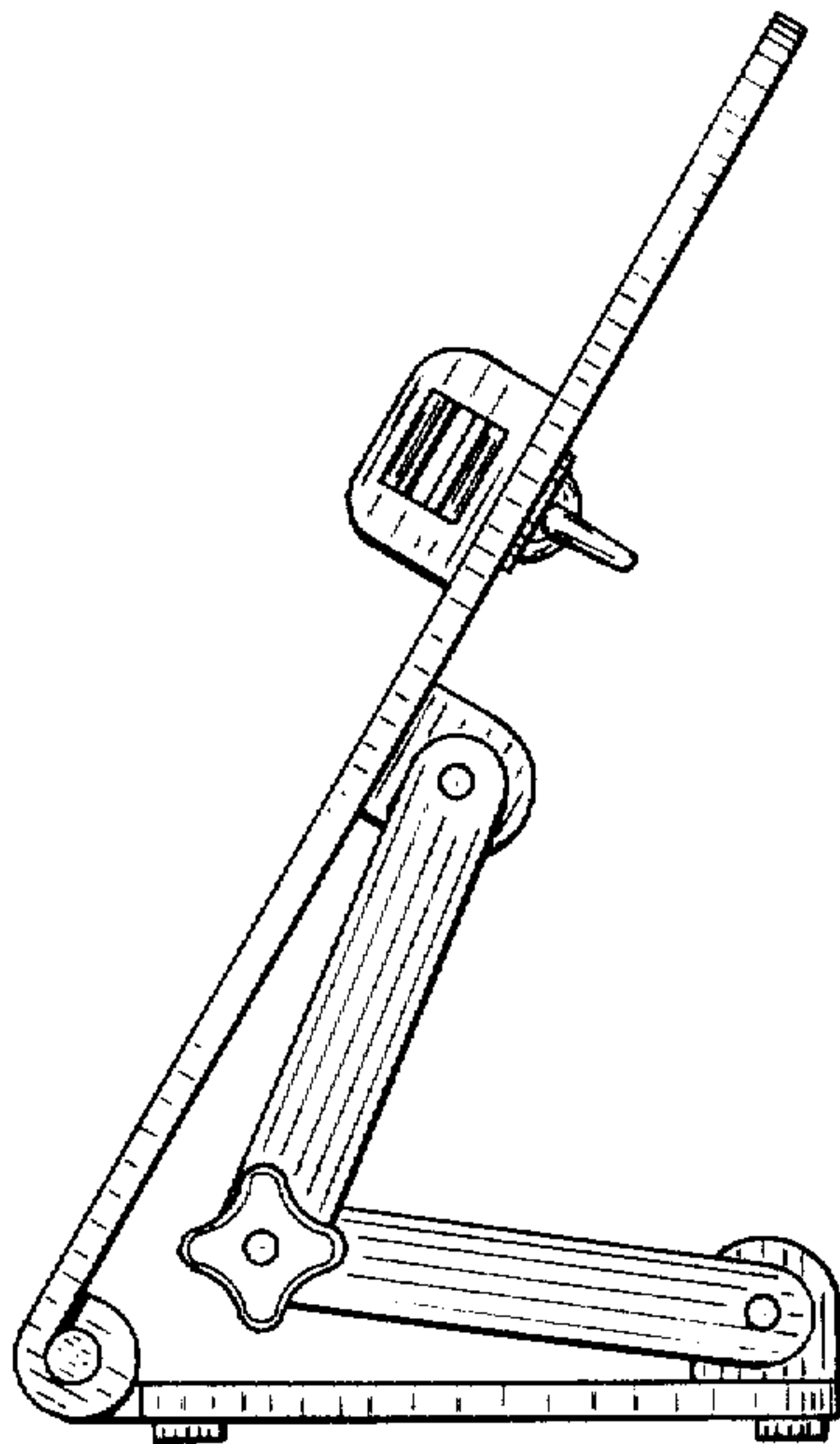


Fig. 1

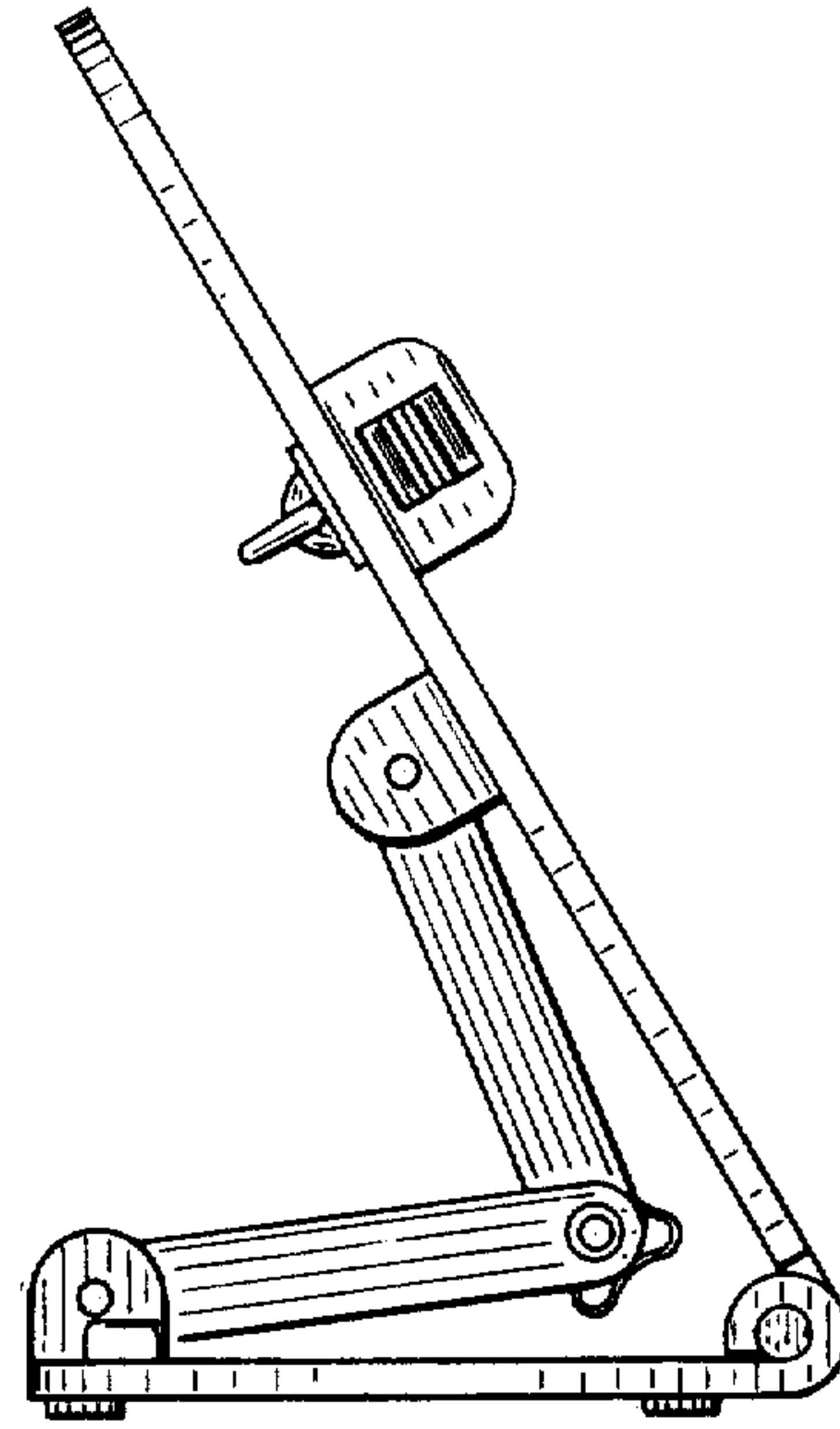


Fig. 2

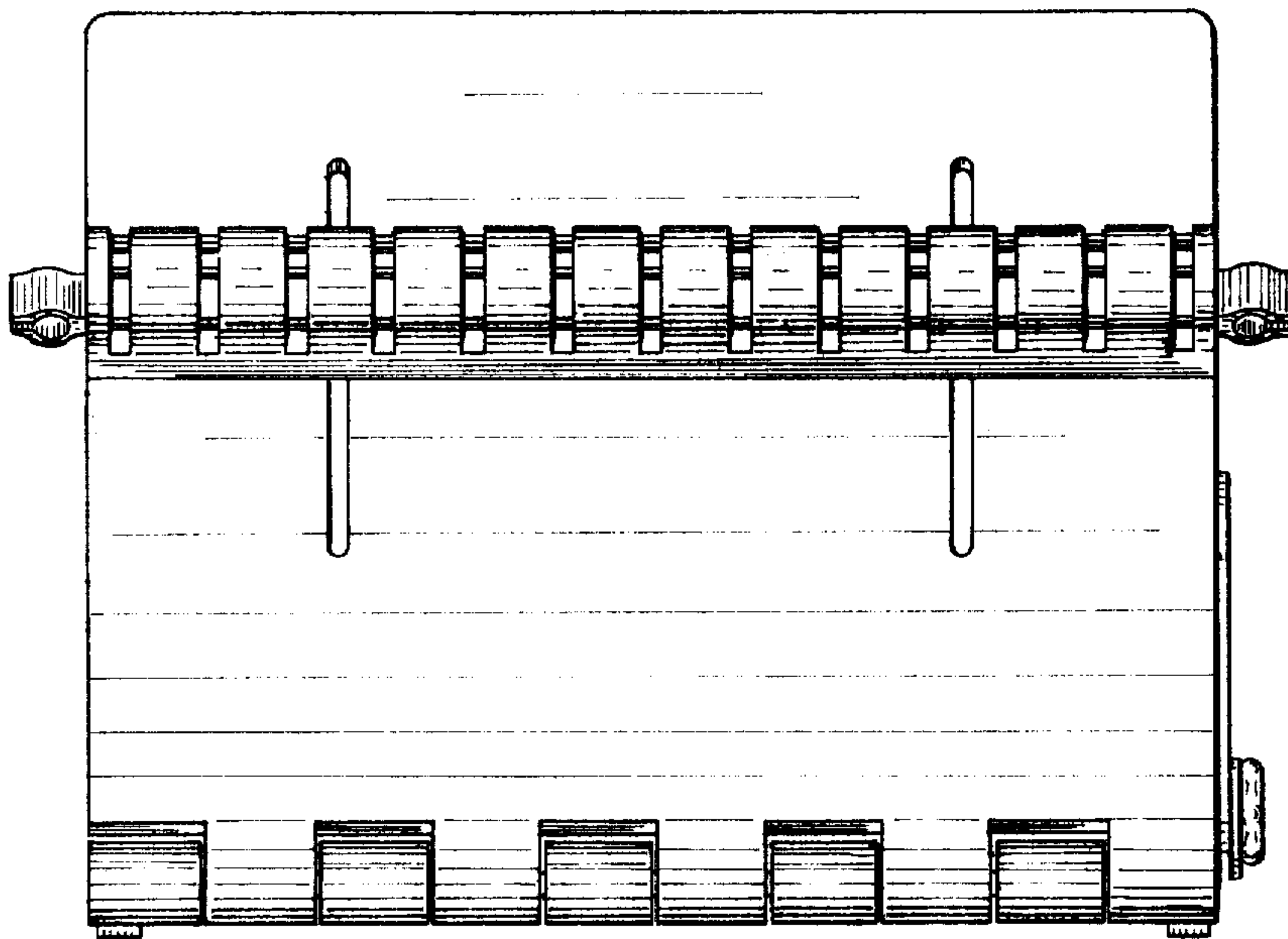


Fig. 3

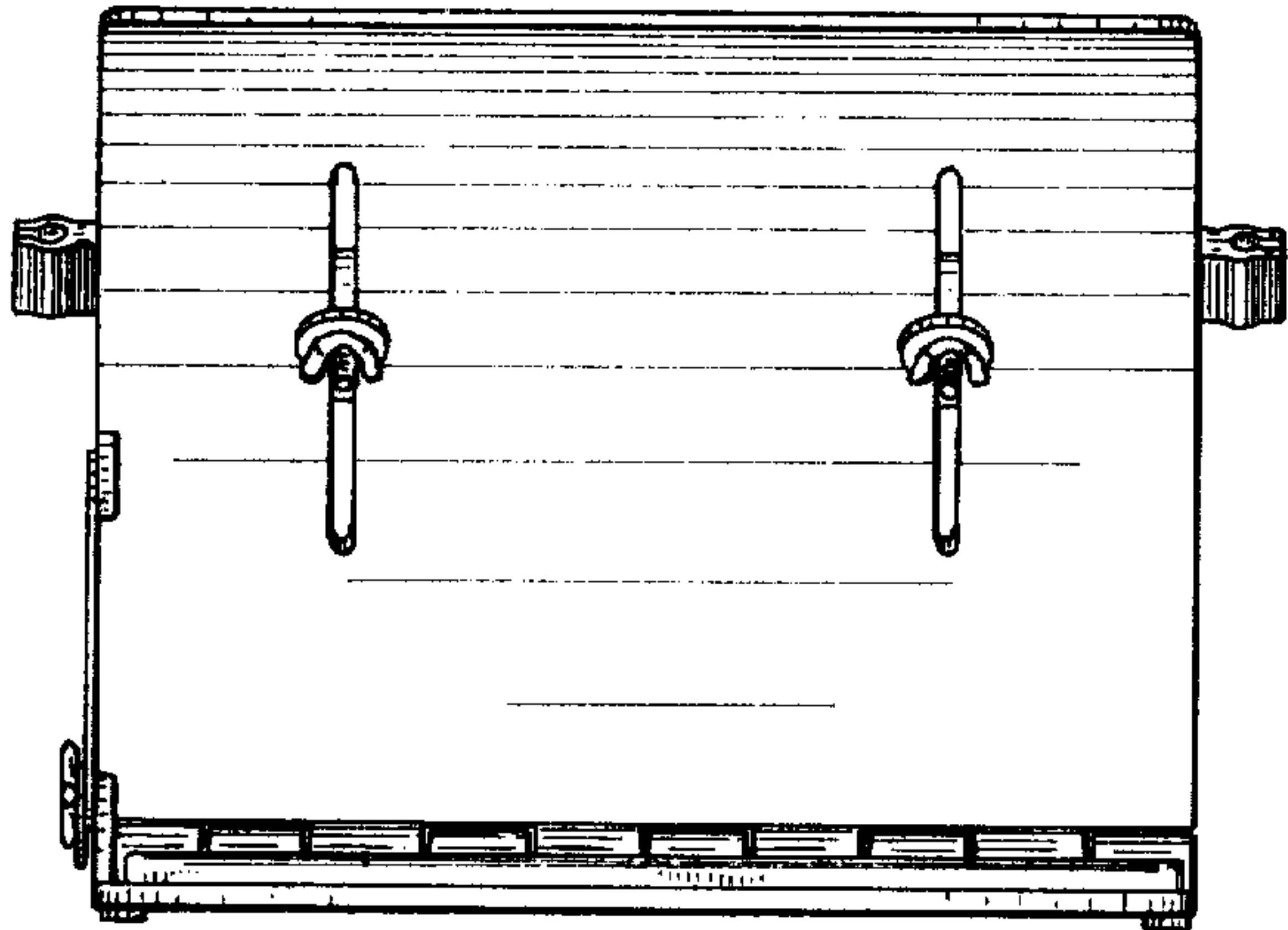


Fig. 4

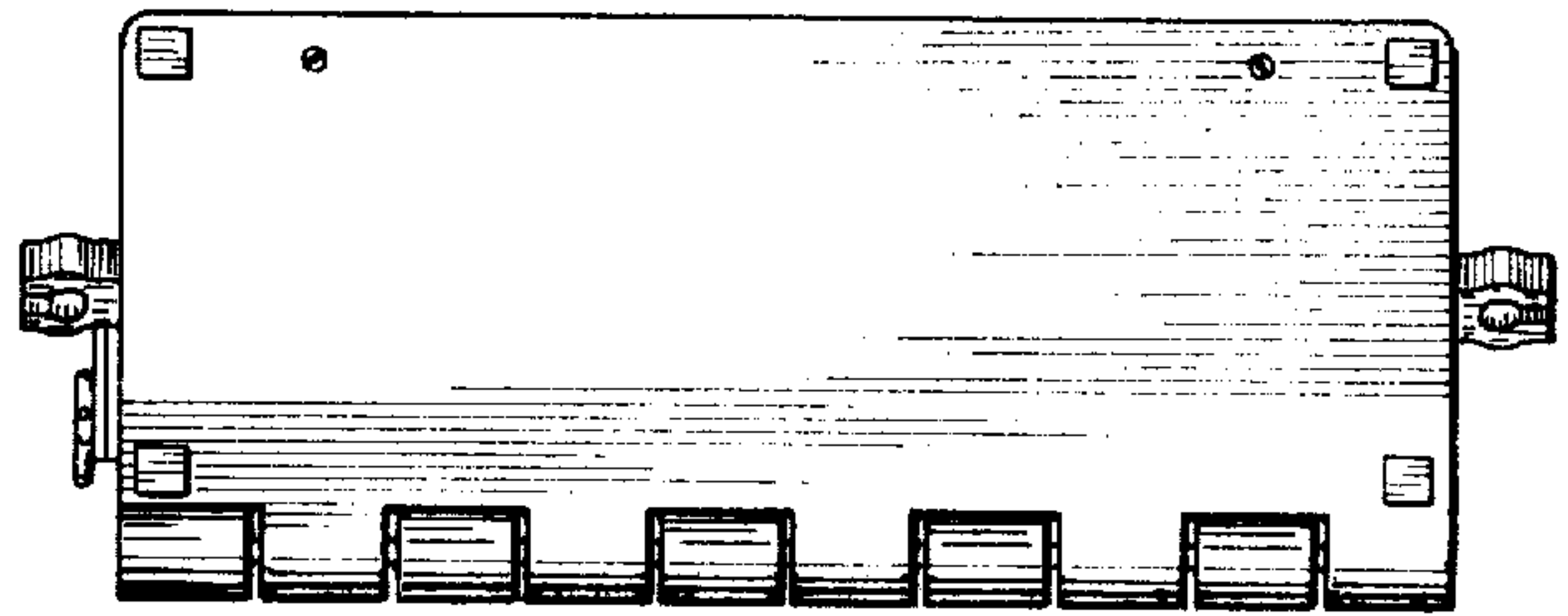


Fig. 5

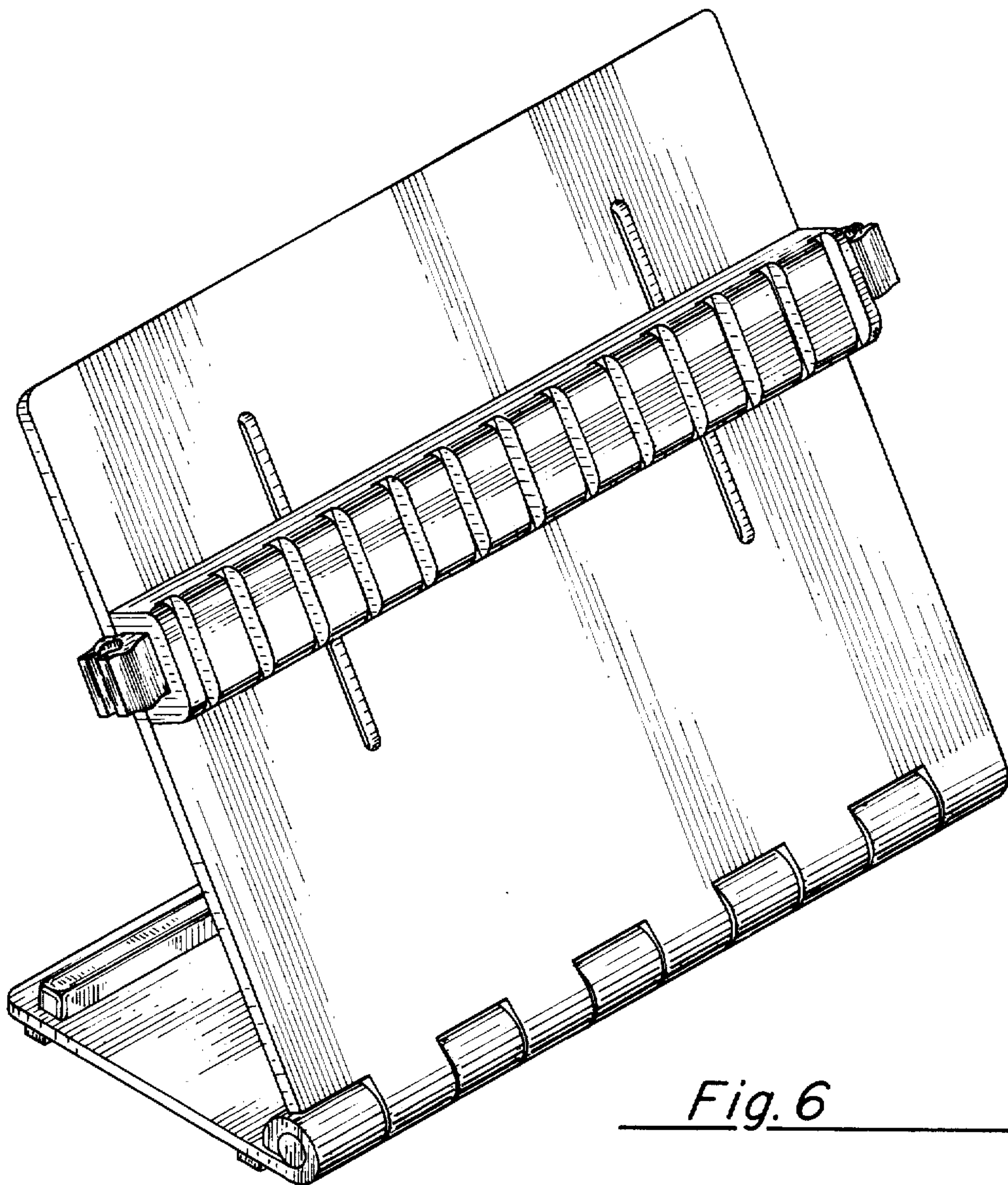


Fig. 6