

[54] HUMIDIFIER FOR A HOT AIR FURNACE OR THE LIKE

[75] Inventor: William B. Morrow, Hillsville, Va.

[73] Assignee: Aqua-Mist, Inc., Winston-Salem, N.C.

[\*\*] Term: 14 Years

[21] Appl. No.: 70,518

[22] Filed: Aug. 24, 1979

[51] Int. Cl. .... D23-04

[52] U.S. Cl. .... D23/147

[58] Field of Search ..... D23/139-167; 126/113; 261/100, DIG. 15

[56] References Cited

U.S. PATENT DOCUMENTS

|            |        |          |       |           |
|------------|--------|----------|-------|-----------|
| D. 253,845 | 1/1980 | Morrow   | ..... | D23/147   |
| D. 253,846 | 1/1980 | Morrow   | ..... | D23/147   |
| 3,171,401  | 3/1965 | McDuffee | ..... | 126/113   |
| 3,334,877  | 8/1967 | Payno    | ..... | 126/113 X |

|           |        |             |       |               |
|-----------|--------|-------------|-------|---------------|
| 3,431,903 | 3/1969 | Irwin       | ..... | 126/113       |
| 3,450,124 | 6/1969 | Muller, Jr. | ..... | 126/113       |
| 3,599,942 | 8/1971 | Herr        | ..... | 261/DIG. 15 X |
| 3,689,037 | 9/1972 | Payne       | ..... | 126/113       |
| 3,739,767 | 6/1973 | Peters      | ..... | 126/113       |

OTHER PUBLICATIONS

Domestic Engineering, Jun. 1963, p. 134, "Lennox Industries" item.

Primary Examiner—James R. Largen

Attorney, Agent, or Firm—Mason, Fenwick & Lawrence

[57] CLAIM

The ornamental design for a humidifier for a hot air furnace or the like, as shown and described.

DESCRIPTION

FIG. 1 is a perspective view taken from the bottom, rear and left side of a humidifier for a hot air furnace or the like showing my new design;

FIG. 2 is a perspective view taken from the top, front and right side thereof; and

FIG. 3 is a front elevational view thereof.

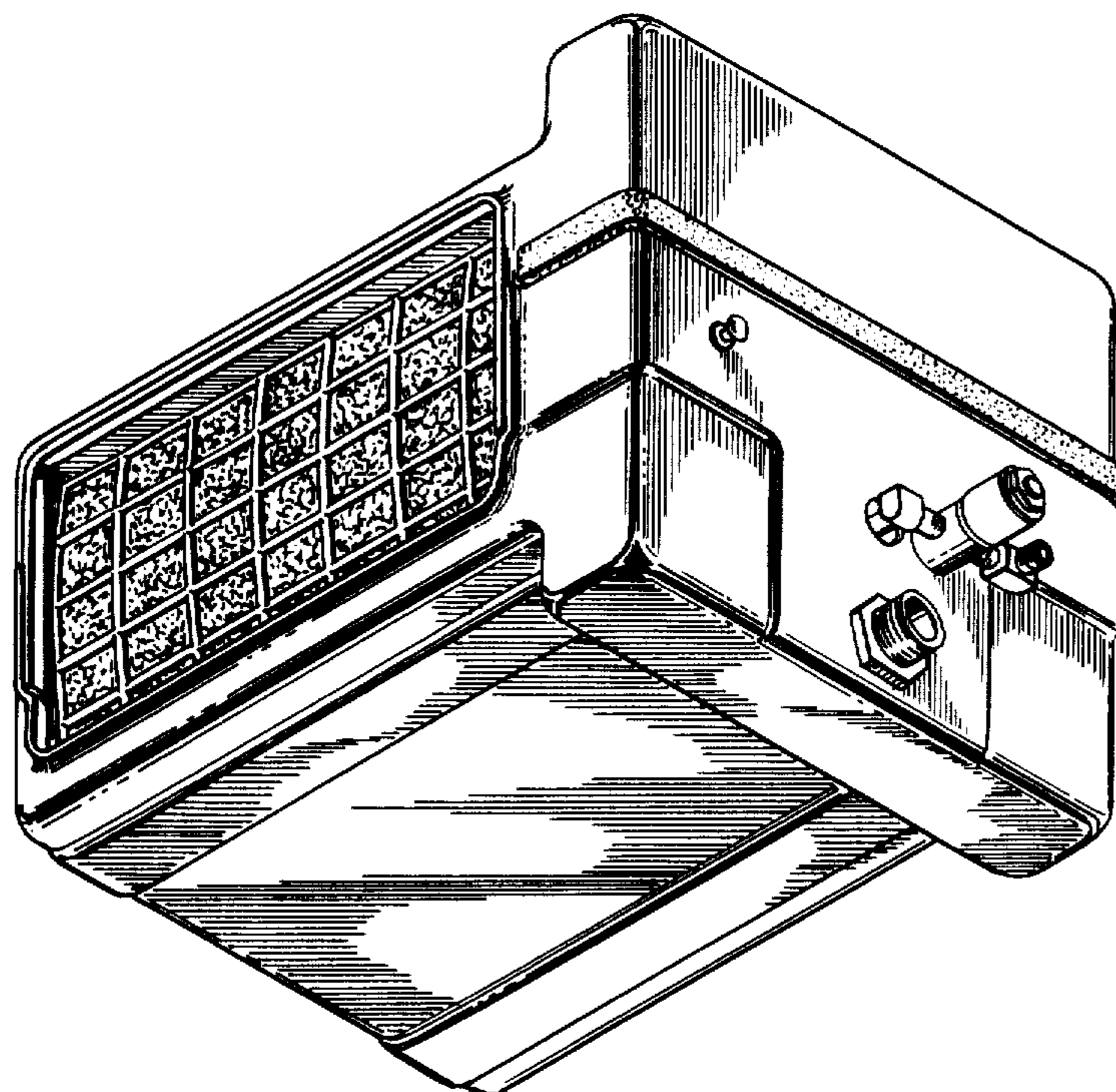


Fig-1

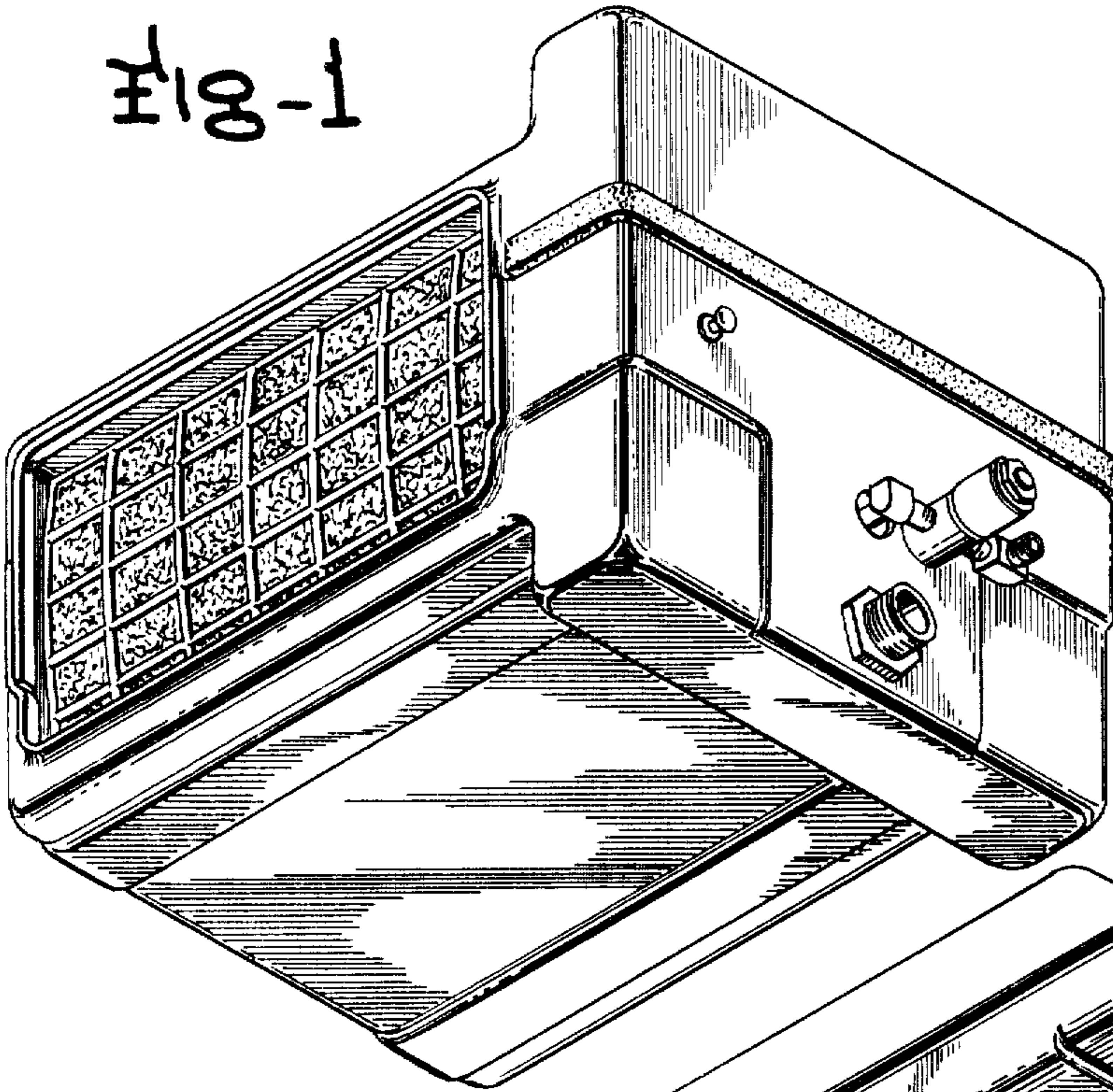


Fig-2

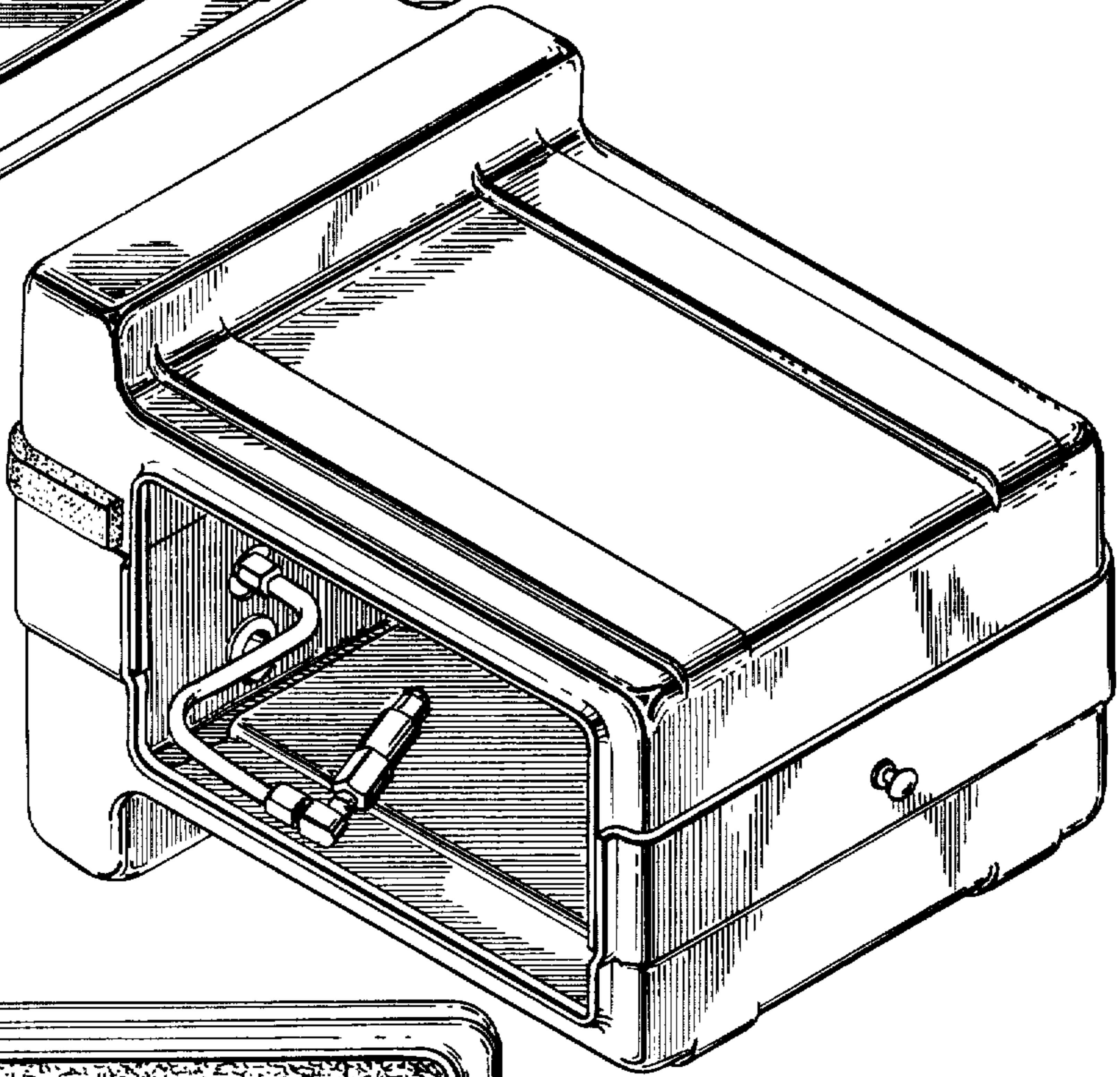


Fig-3

