

[54] **SAFETY SUCTION FITTING FOR HYDRO-THERAPY SPAS**
 [76] **Inventor: Gerald W. Moreland, 11651 Pickett La., Garden Grove, Calif. 92640**
 [**] **Term: 14 Years**
 [21] **Appl. No.: 91,478**
 [22] **Filed: Nov. 5, 1979**
 [51] **Int. Cl. D23-01**
 [52] **U.S. Cl. D23/42**
 [58] **Field of Search D23/34-45; 239/457; 4/492, 540-543, 567-570, 601; 128/66**

3,745,994 7/1973 Kane 128/66
 3,890,655 6/1975 Mathis 4/542
 3,905,358 9/1975 Jacuzzi 128/66
 3,946,449 3/1976 Mathis 4/542
 3,985,303 10/1976 Steimle 239/587 X
 4,082,091 4/1978 Raab 128/66

*Primary Examiner—James R. Largen
 Attorney, Agent, or Firm—Knobbe, Martens, Olson, Hubbard & Bear*

[57] **CLAIM**

The ornamental design for a safety suction fitting for hydro-therapy spas, as shown and described.

DESCRIPTION

FIG. 1 is a front perspective view of a safety suction fitting for hydro-therapy spas showing my new design; FIG. 2 is a rear perspective view thereof; and FIG. 3 is a cross sectional view taken on line 3-3 of FIG. 2.

The fragmentary broken line representation of a spa wall in FIG. 3 is for purposes of illustration only.

[56] **References Cited**
U.S. PATENT DOCUMENTS
 D. 244,462 5/1977 Mathis D23/34
 3,391,870 7/1968 Nash 239/456 X
 3,540,438 11/1970 Jacuzzi 128/66
 3,605,735 9/1971 Soden 128/66
 3,677,474 7/1972 Lorenzen 239/587

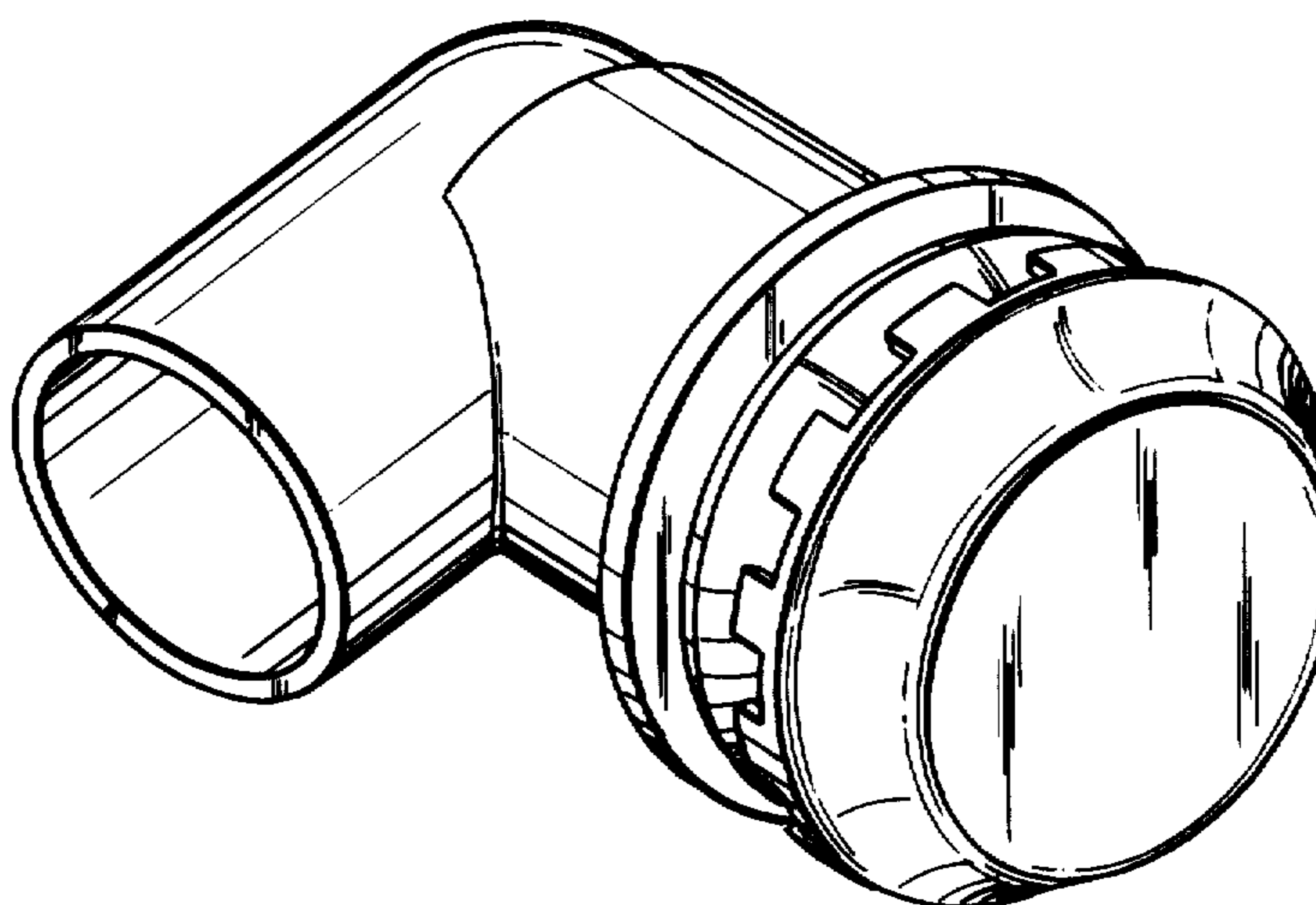


Fig. 1

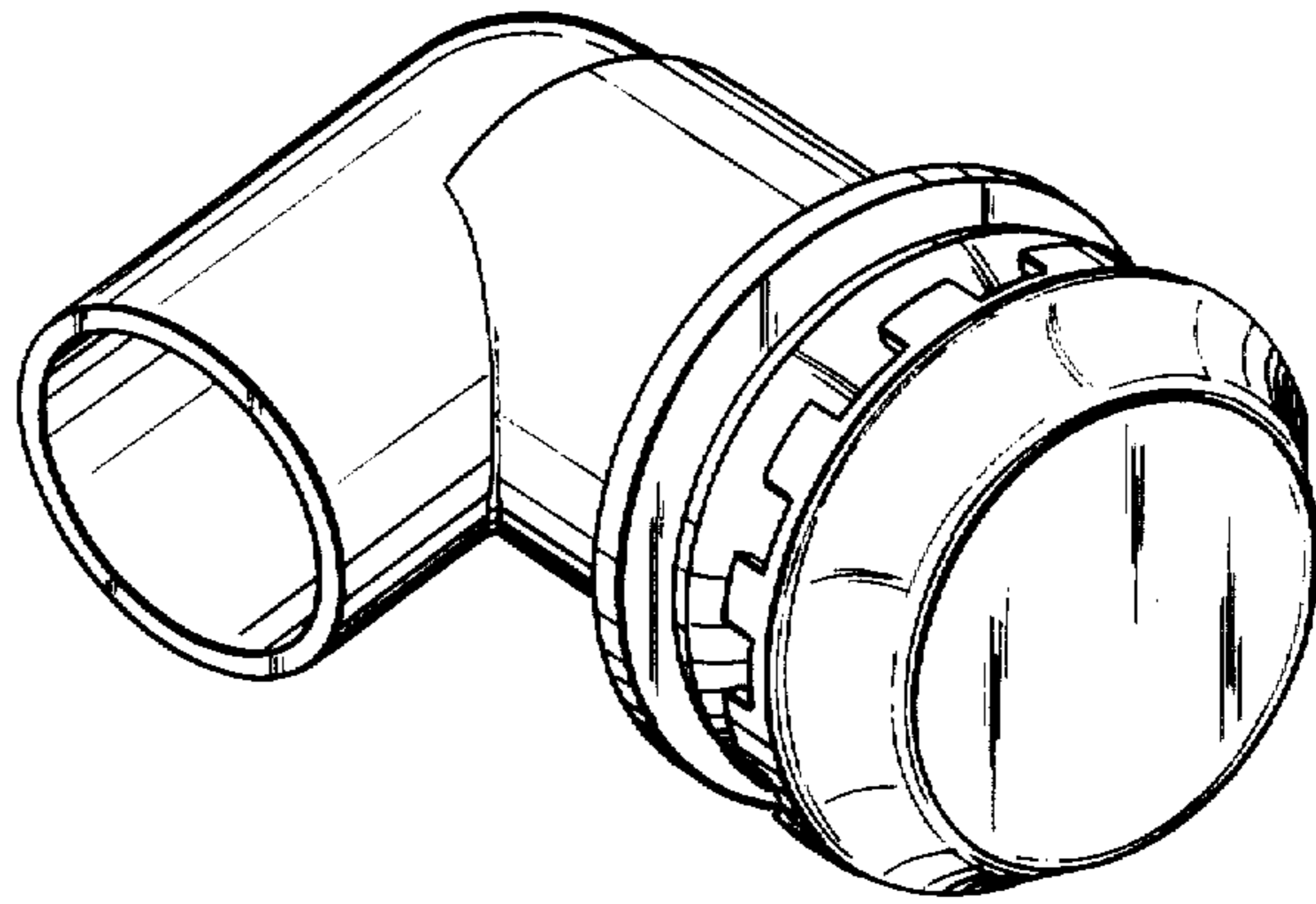


Fig. 2

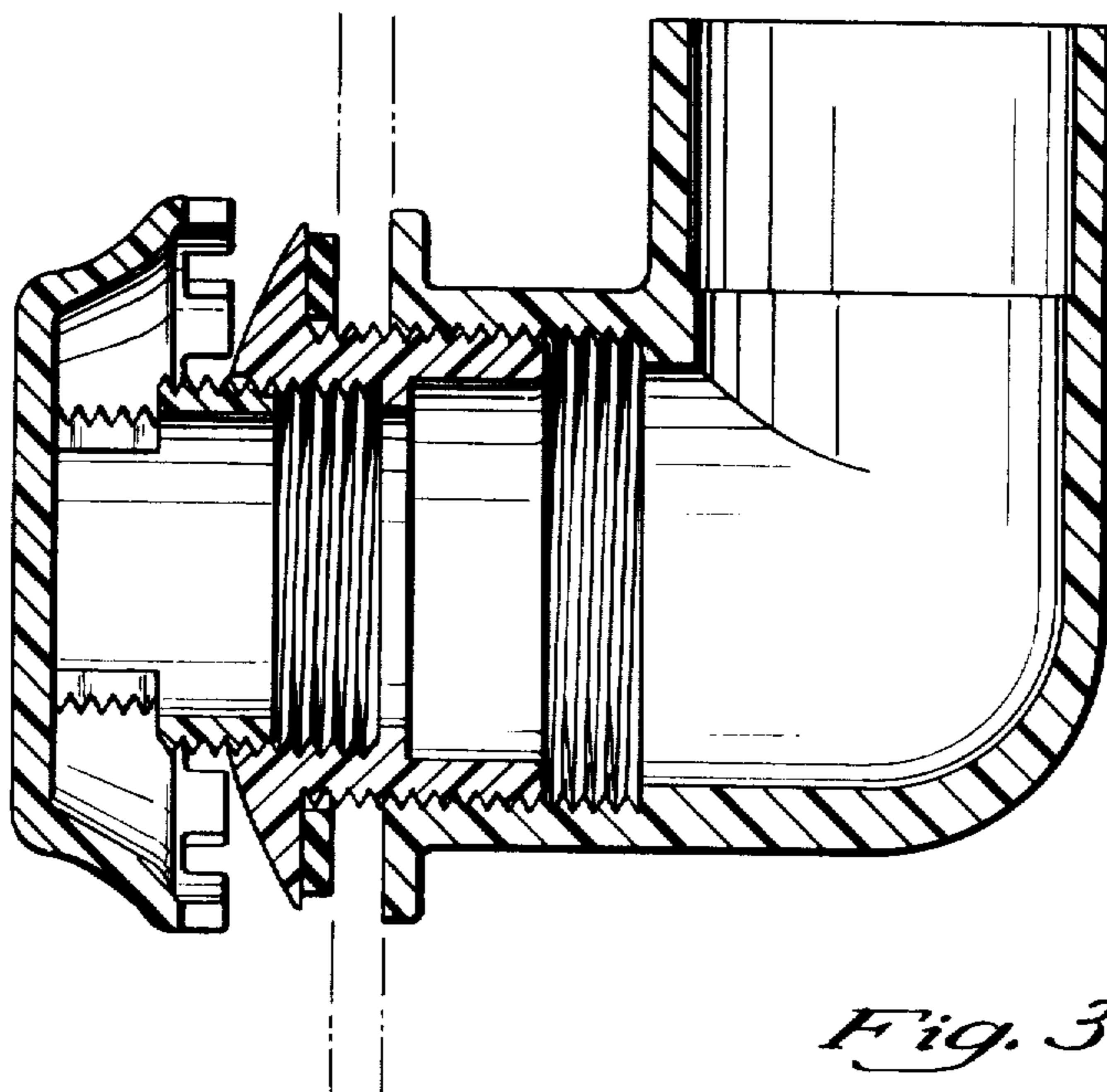
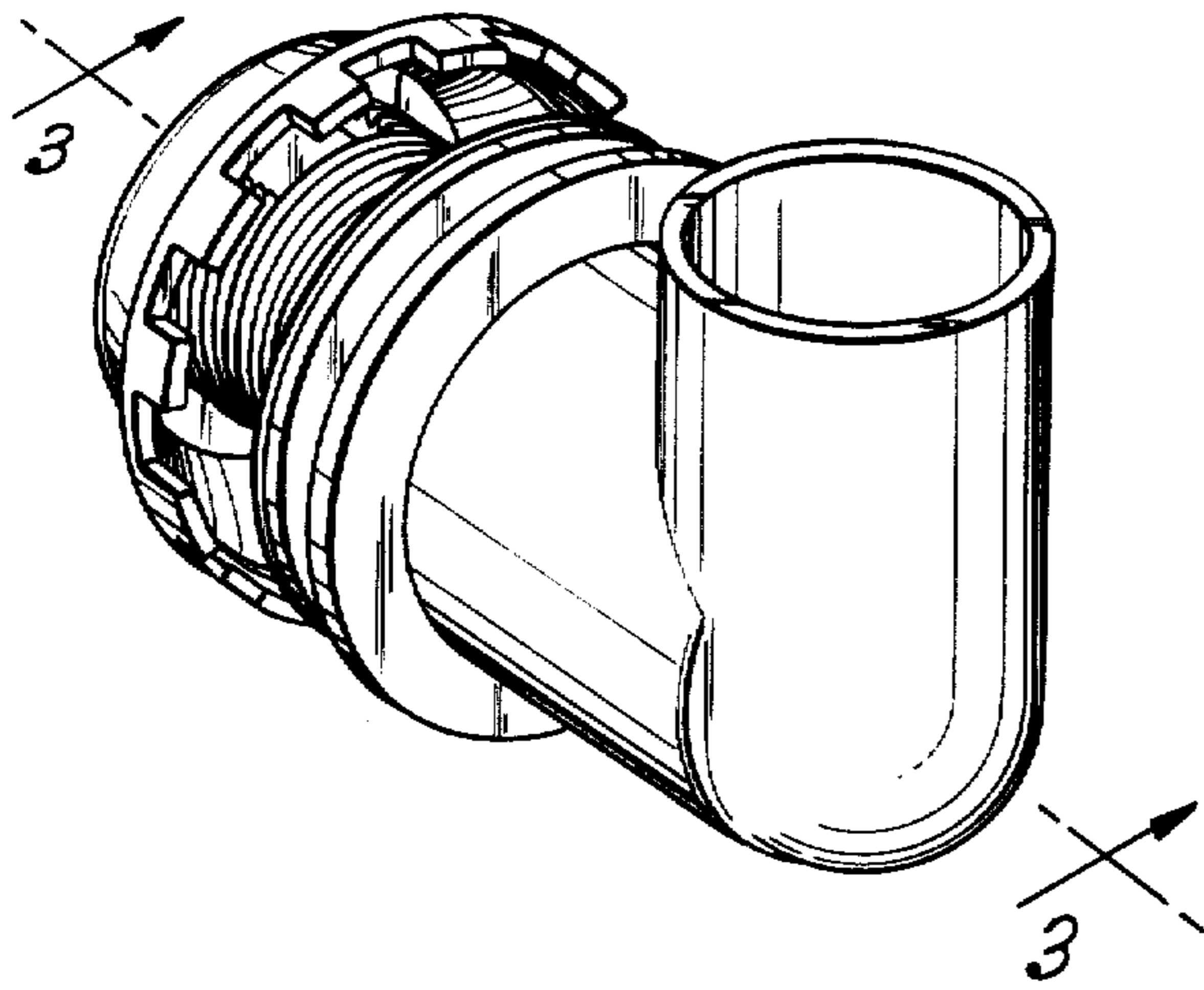


Fig. 3