

[54] **SHOWERHEAD**

[75] Inventor: **Odo Klose**, Wuppertal, Fed. Rep. of Germany

[73] Assignee: **Friedrich Grohe Armaturenfabrik GmbH & Co.**, Hemer, Fed. Rep. of Germany

[\*\*] Term: **14 Years**

[21] Appl. No.: **70,171**

[22] Filed: **Aug. 27, 1979**

[30] **Foreign Application Priority Data**

Mar. 26, 1979 [DE] Fed. Rep. of Germany ..... MR6936

[51] Int. Cl. .... **D23-01**

[52] U.S. Cl. .... **D23/35**

[58] Field of Search ..... **D23/34-39;**  
239/451, 456, 446, 447

[56] **References Cited**

**U.S. PATENT DOCUMENTS**

D. 115,795 7/1939 Reinecke ..... D23/35  
D. 164,822 10/1951 Russell ..... D23/35

D. 235,445 6/1975 MacKay ..... D23/35  
2,874,001 2/1959 Webb ..... D23/35 X  
3,344,994 10/1967 Fife ..... 239/460  
3,384,307 5/1968 Moen ..... 239/460  
3,403,860 10/1968 Shames et al. .... 239/460  
3,563,469 2/1971 Stacey ..... 239/460 X  
3,836,083 9/1974 Bell ..... 239/460 X

**OTHER PUBLICATIONS**

Domestic Engineering, Nov. 1963, p. 68.  
House & Garden, Apr. 1949, p. 157, "Self-cleaning Showerhead", item.

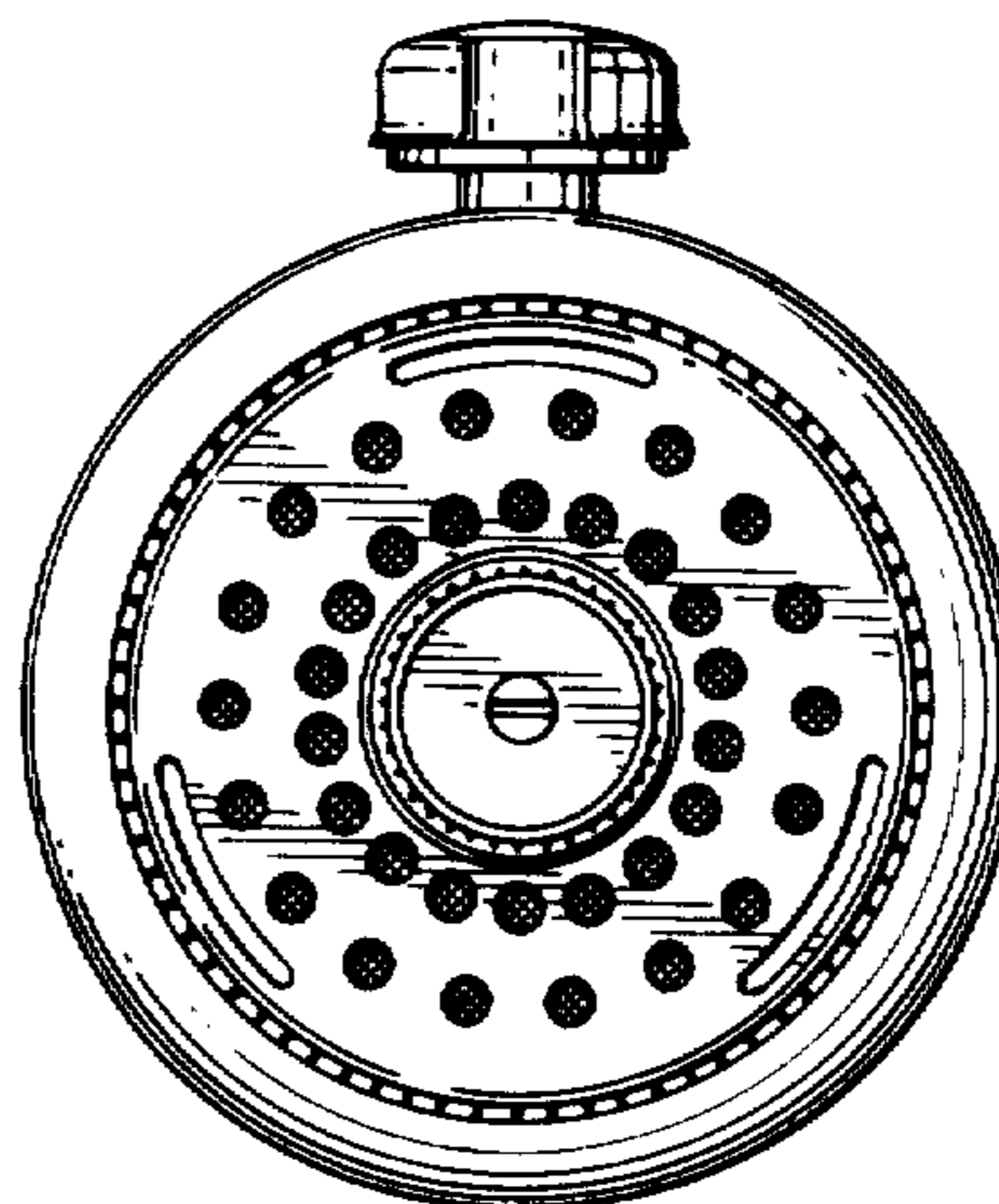
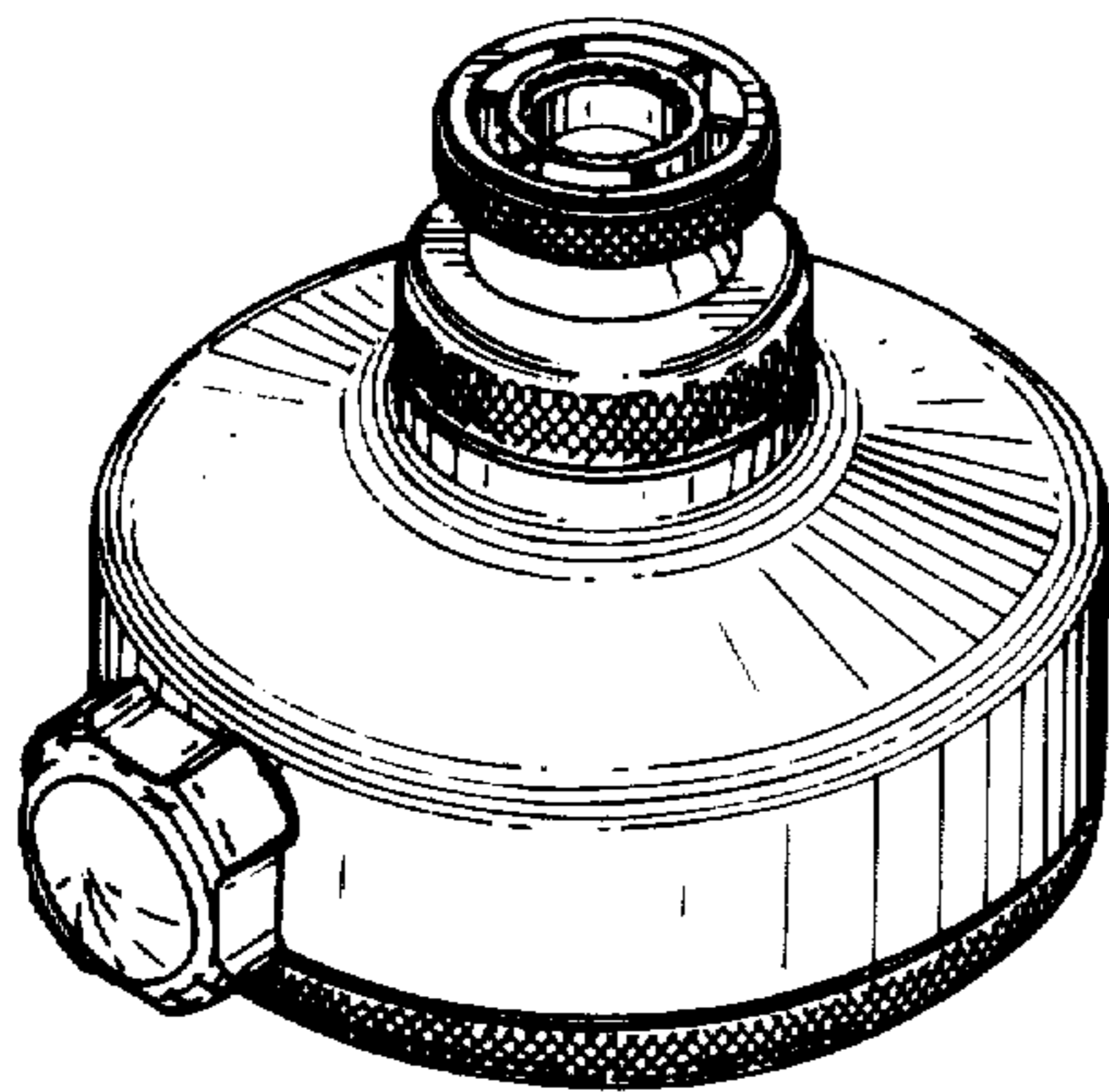
*Primary Examiner*—James R. Largen  
*Attorney, Agent, or Firm*—James B. Raden; Donald J. Lenkszus

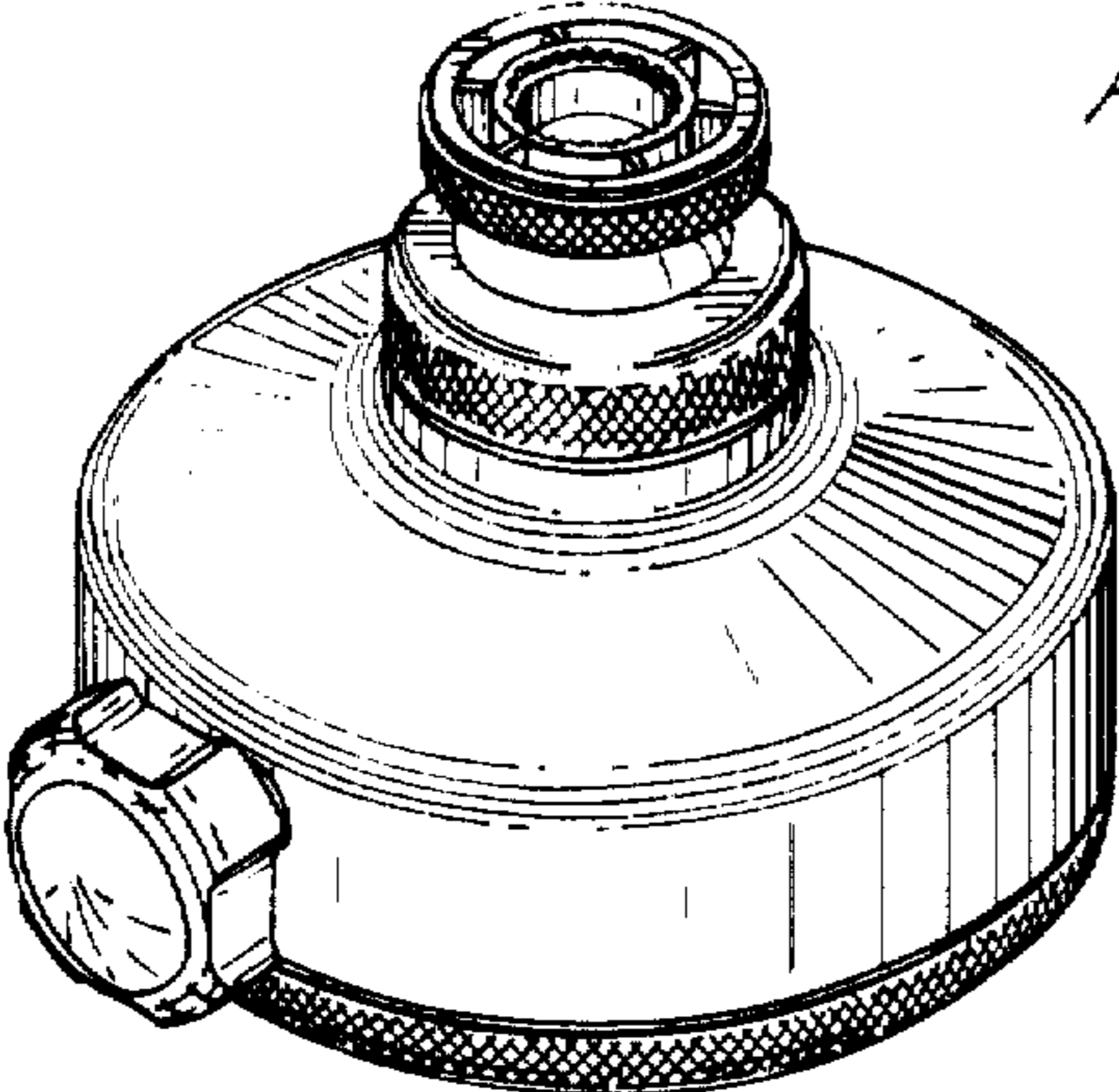
[57] **CLAIM**

The ornamental design for a showerhead, substantially as shown and described.

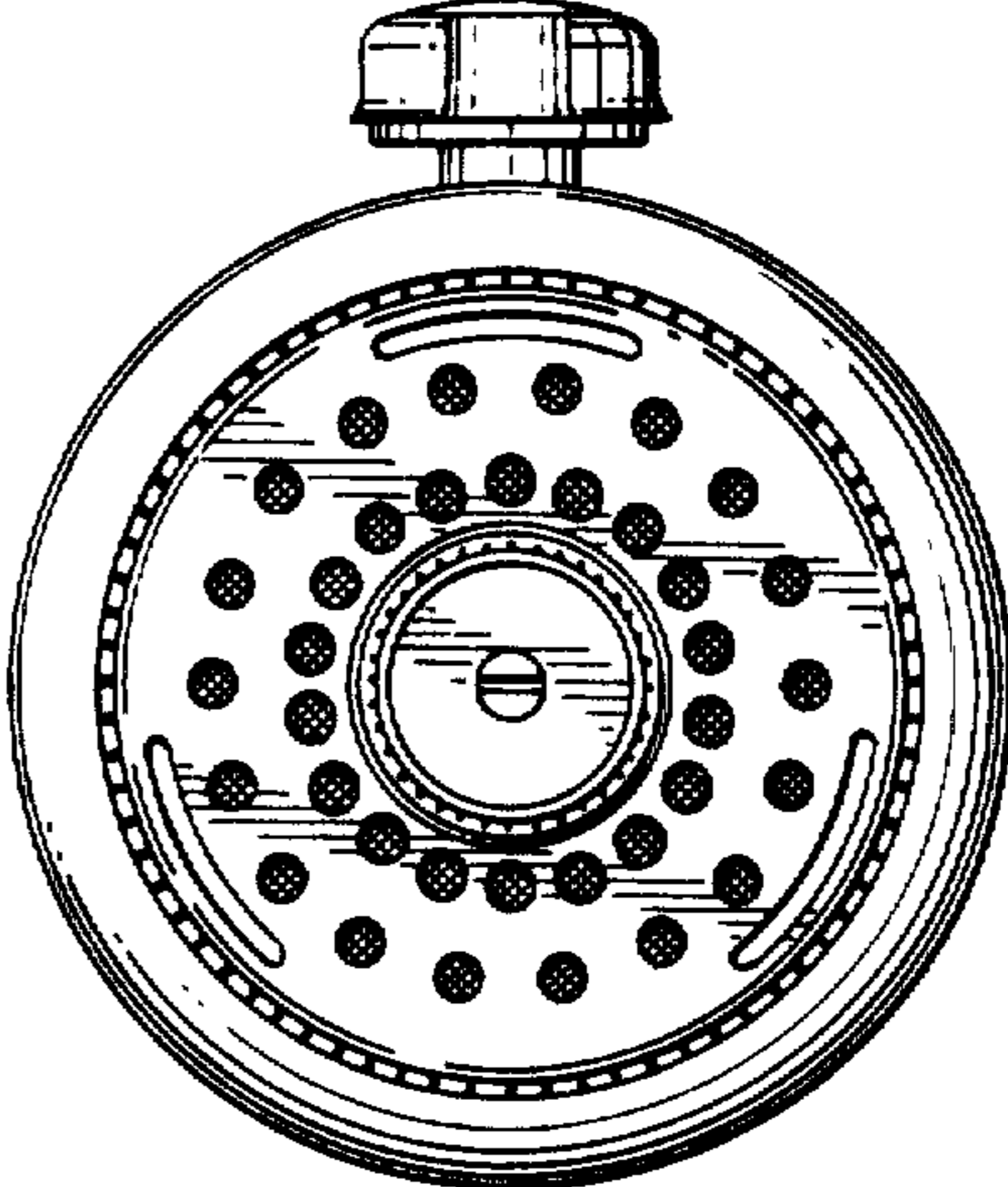
**DESCRIPTION**

FIG. 1 is a perspective view taken from the top, rear and right side of a showerhead showing my new design; FIG. 2 is a bottom plan view thereof; FIG. 3 is a front elevational view thereof; and FIG. 4 is a left side elevational view thereof.

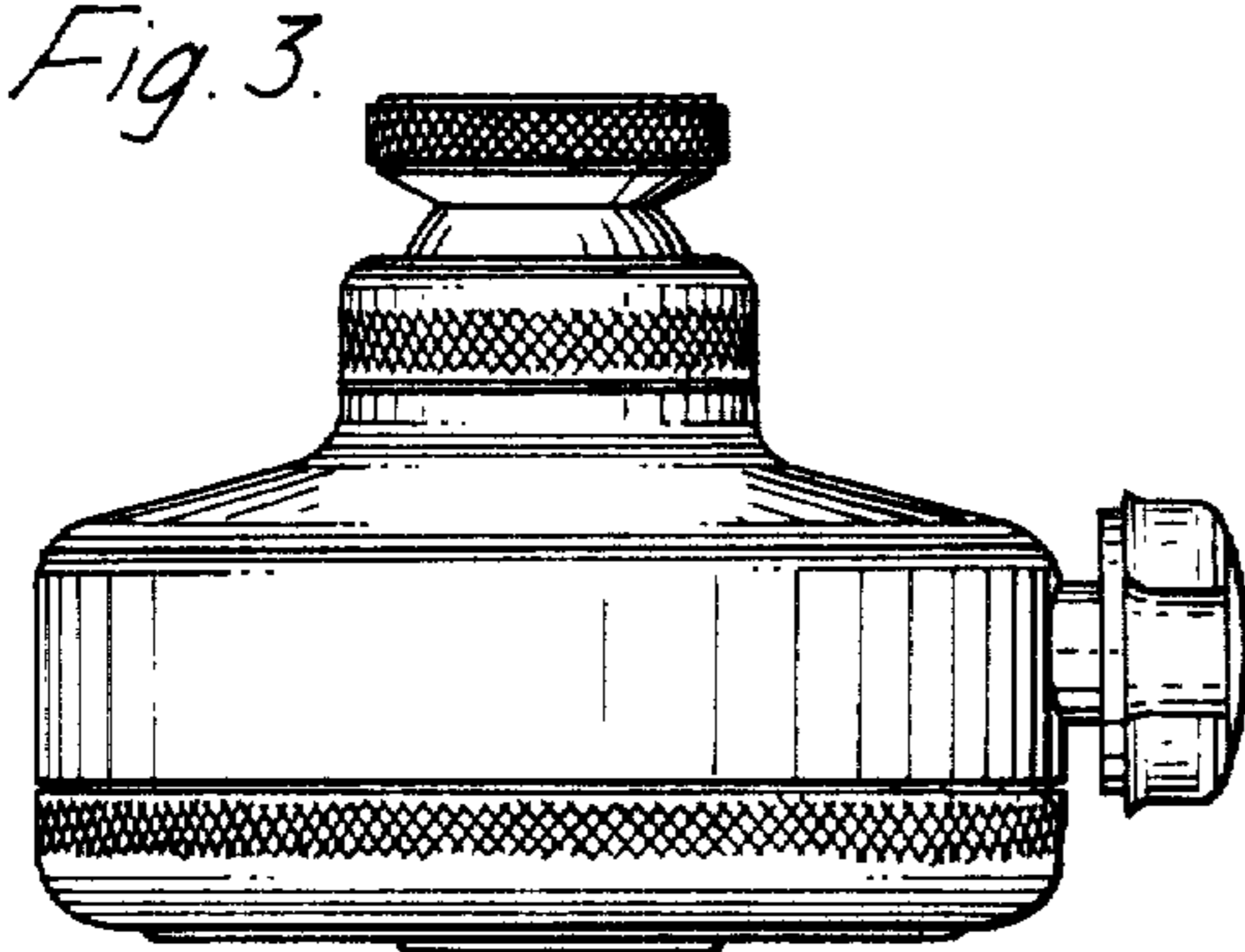




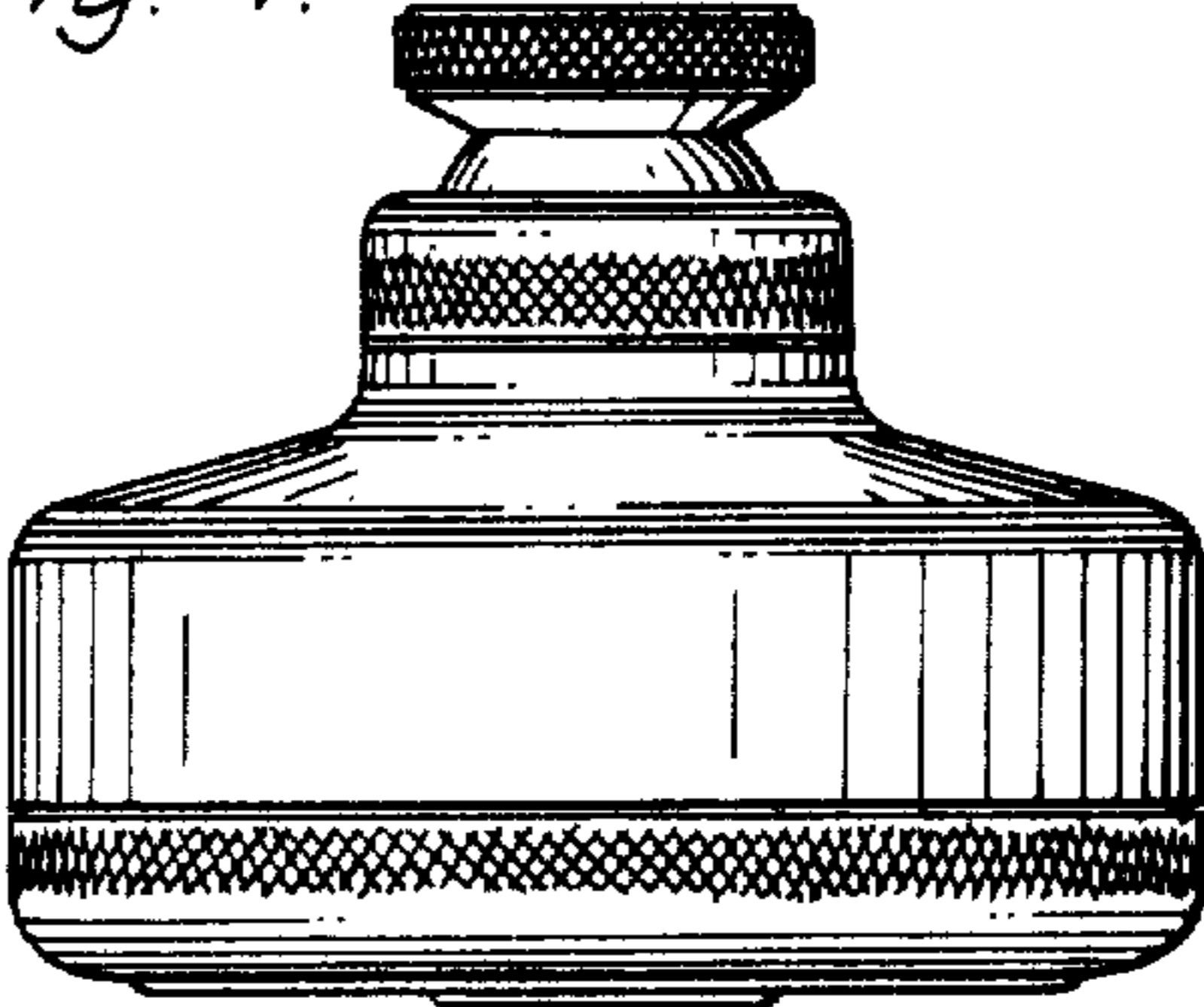
*Fig. 1.*



*Fig. 2.*



*Fig. 3.*



*Fig. 4.*