

[54] CAN PIERCING SPRAYING TOOL

[76] Inventor: Larry O. Siefken, R.R. 1, Box 75, Palmer, Iowa 50571

[**] Term: 14 Years

[21] Appl. No.: 930,583

[22] Filed: Aug. 2, 1978

[51] Int. Cl. D23-01

[52] U.S. Cl. D23/34; D23/17

[58] Field of Search D23/34, 17; 239/271

[56] References Cited

U.S. PATENT DOCUMENTS

D. 202,686	10/1965	Gilmour	D23/34
D. 216,976	3/1970	Lee	D23/17
D. 243,532	3/1977	Fyffe	D23/17
4,106,701	8/1978	Siefken	239/271

Primary Examiner—Alan P. Douglas
Attorney, Agent, or Firm—Zarley, McKee, Thomte, Voorhees & Sease

[57] CLAIM

The ornamental design of a can piercing spraying tool, substantially as shown.

DESCRIPTION

FIG. 1 is a perspective view of the can piercing spraying tool showing my new design.

FIG. 2 is a top plan view.

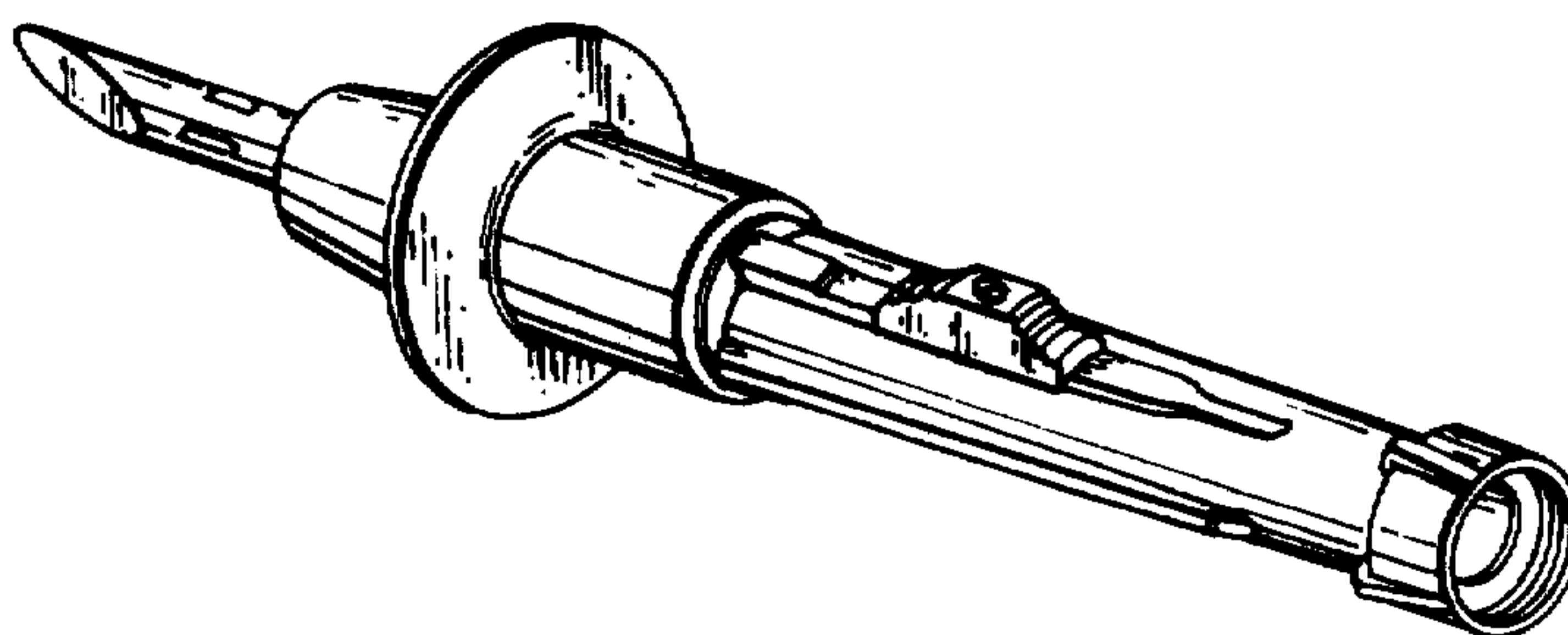
FIG. 3 is an end elevational view taken from the left side as viewed in FIG. 1.

FIG. 4 is a side elevational view.

FIG. 5 is a side elevational view showing the opposite side from the side shown in FIG. 4.

FIG. 6 is an end elevational view taken from the right end as viewed in FIG. 1.

FIG. 7 is a bottom plan view.



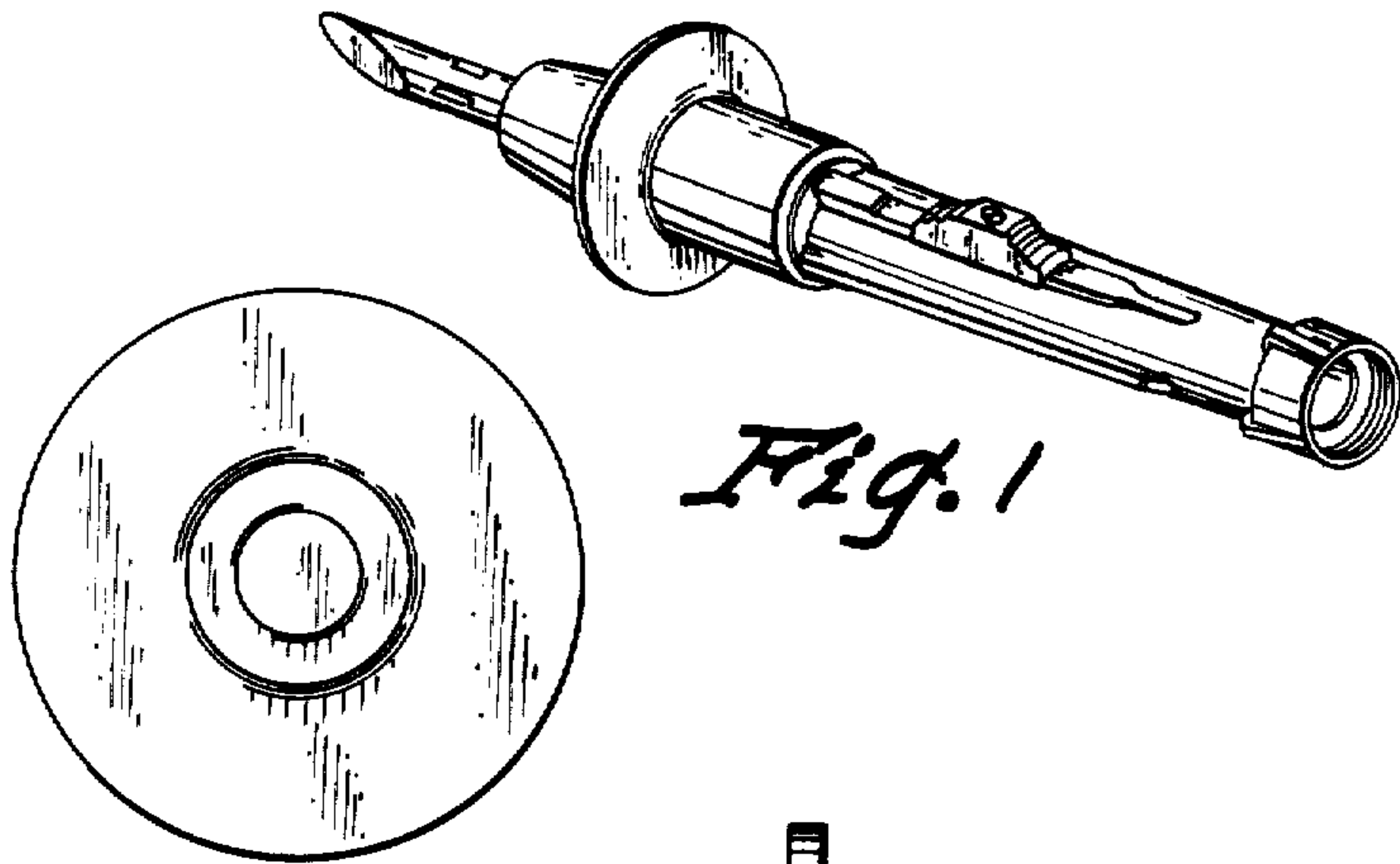


Fig. 1

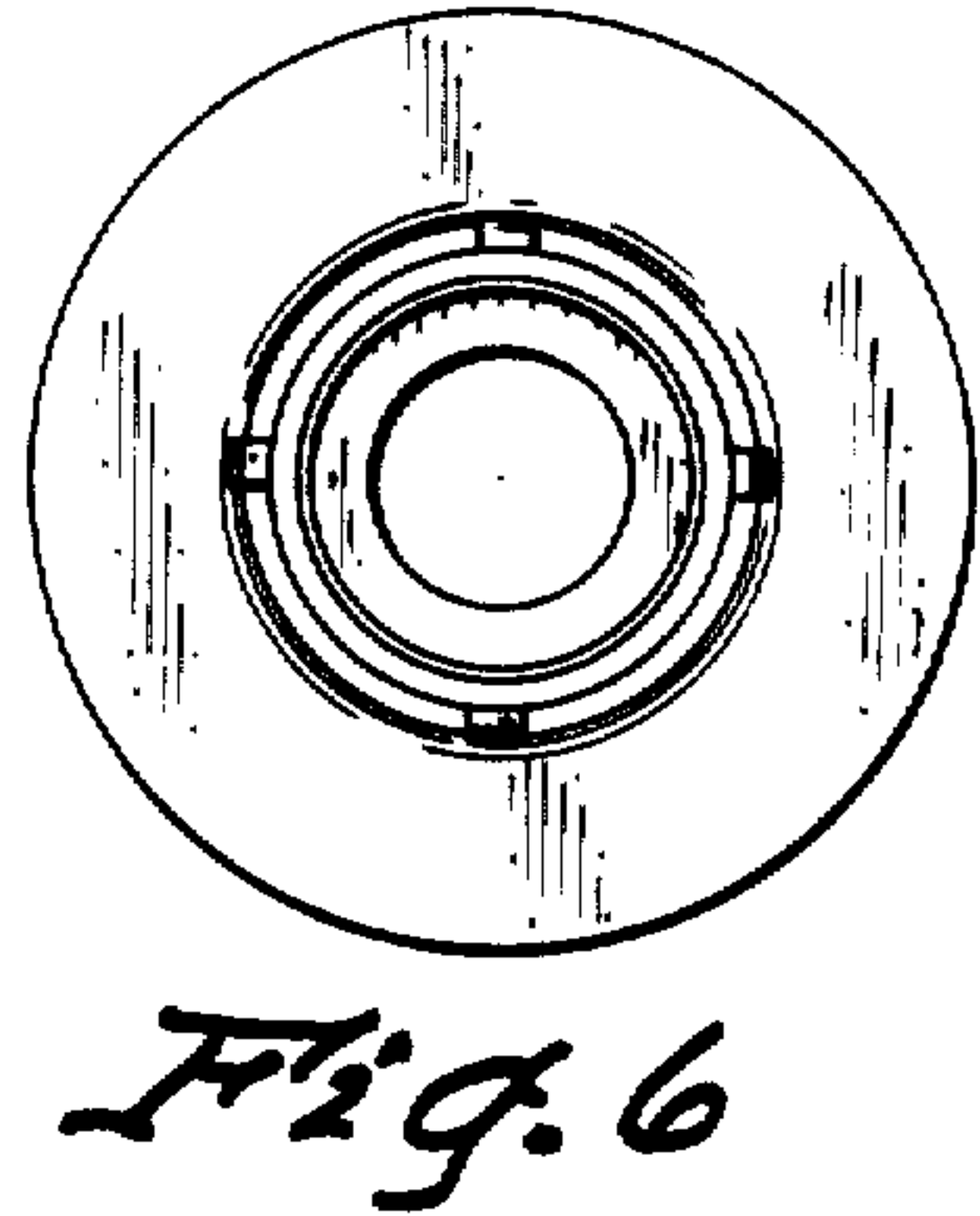


Fig. 6

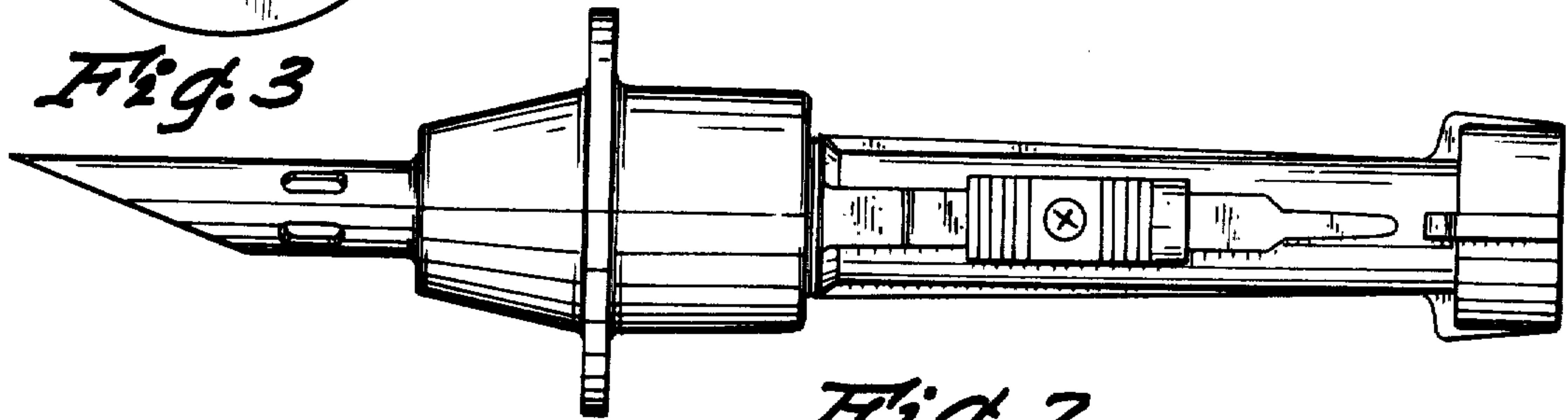


Fig. 2

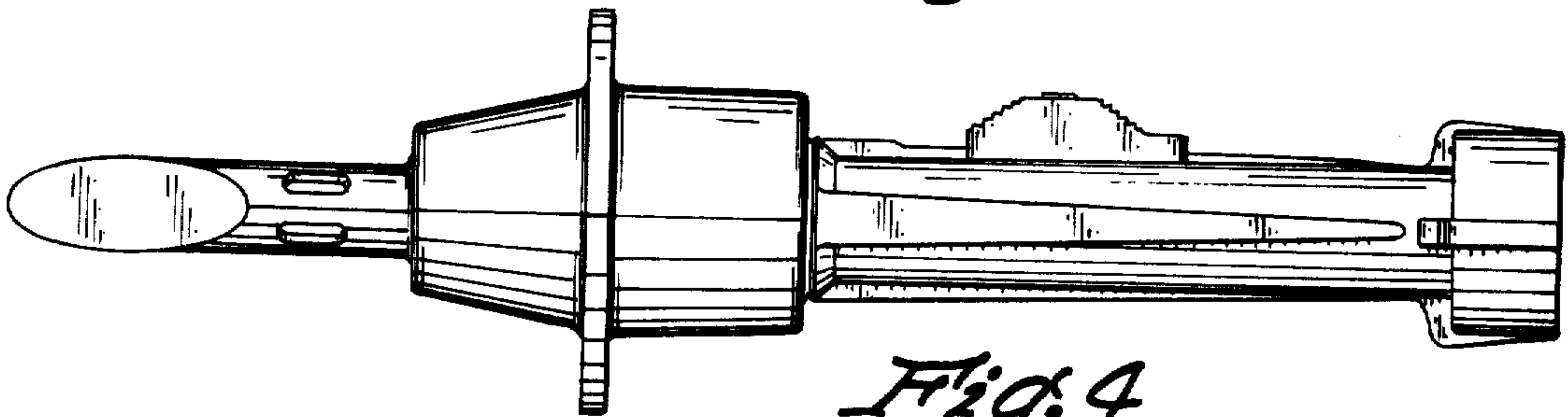


Fig. 4

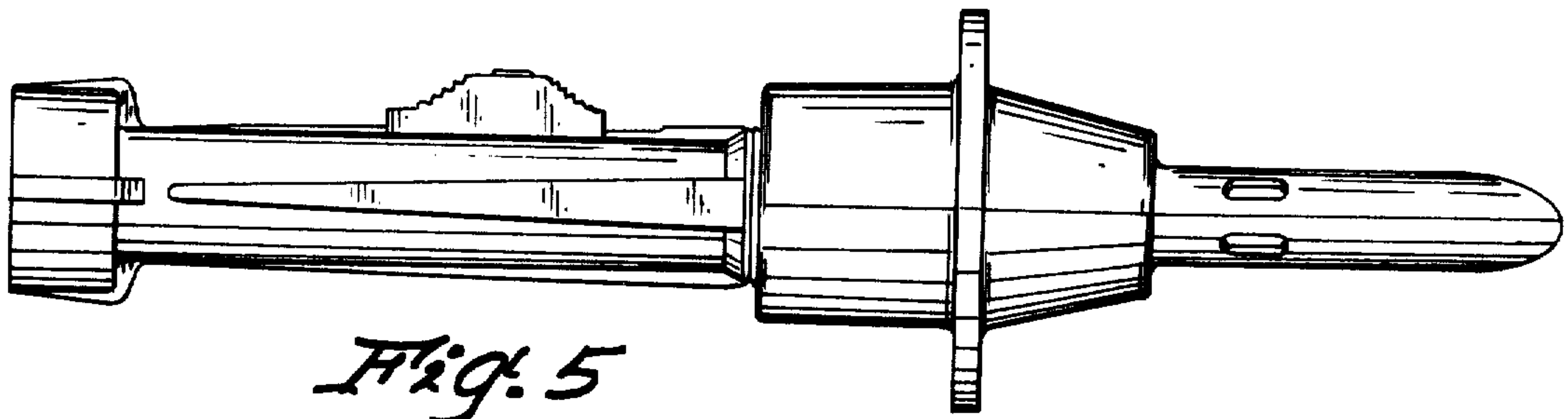


Fig. 5

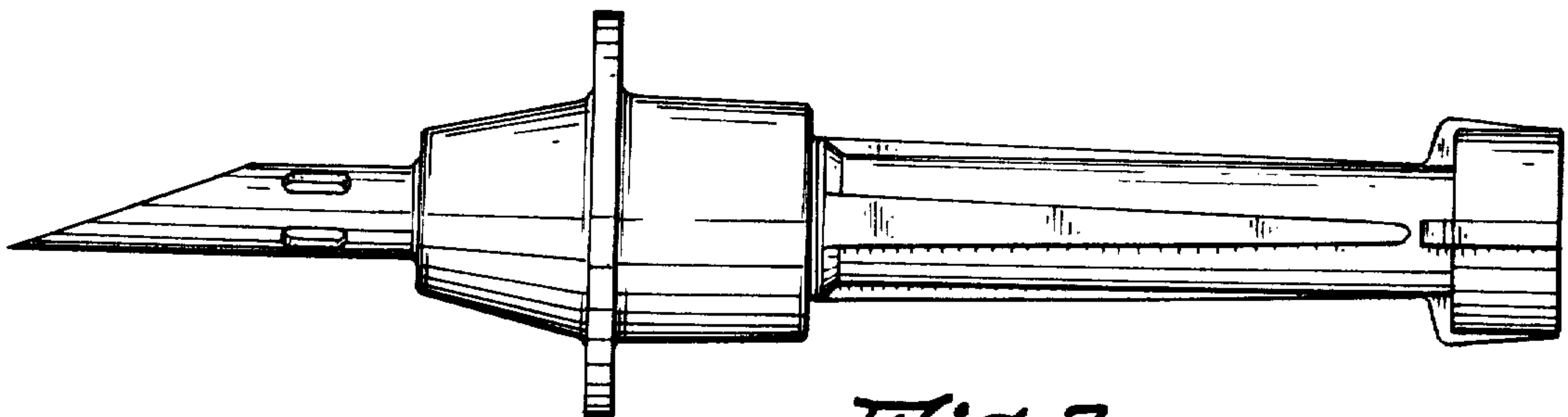


Fig. 7