

[54] **VACUUM FILTER**

[76] **Inventor:** Roy T. Eddleman, 60916 Terminal Annex, Los Angeles, Calif. 90054

[**] **Term:** 14 Years

[21] **Appl. No.:** 80,437

[22] **Filed:** Oct. 1, 1979

[51] **Int. Cl.** D23—01

[52] **U.S. Cl.** D23/4; D7/68

[58] **Field of Search** D23/3, 4, 8, 40-43; D7/47, 68, 858, 129; 210/406, 474, 477

[56]

References Cited

U.S. PATENT DOCUMENTS

65,515	6/1867	Speneer	210/406
D. 142,255	8/1945	Frost	D7/68
D. 153,202	3/1949	Beller	D7/68
2,449,238	9/1948	Lightfoot, Jr.	210/406 X
3,437,211	4/1969	Lindsey	210/474 X

Primary Examiner—James R. Lagen
Attorney, Agent, or Firm—Edgar W. Averill, Jr.

[57]

CLAIM

The ornamental design for a vacuum filter, as shown.

DESCRIPTION

FIG. 1 is a perspective view of the vacuum filter showing my new design.

FIG. 2 is a side elevational view thereof.

FIG. 3 is a top plan view thereof.

FIG. 4 is a bottom plan view thereof.

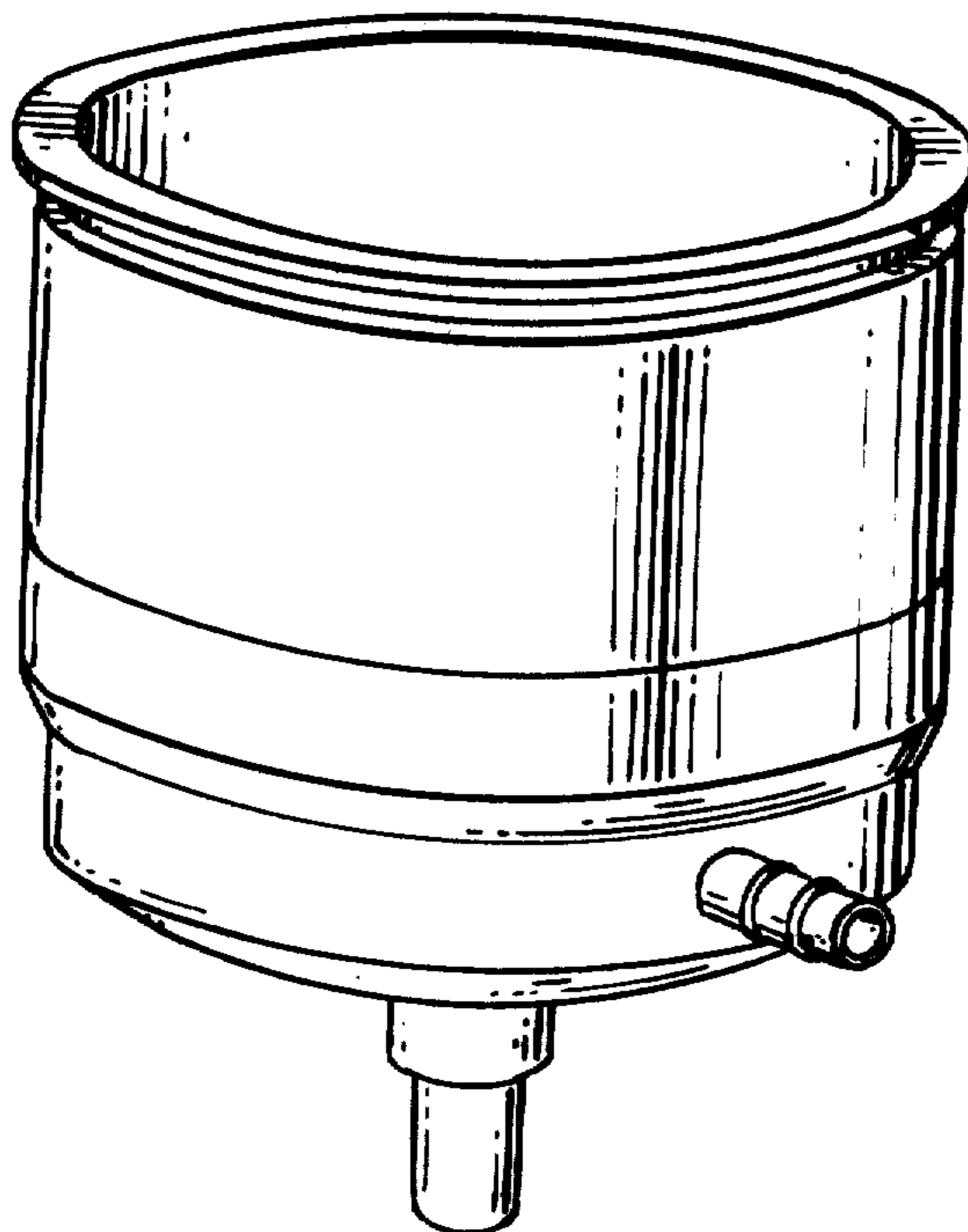


FIG. 1.

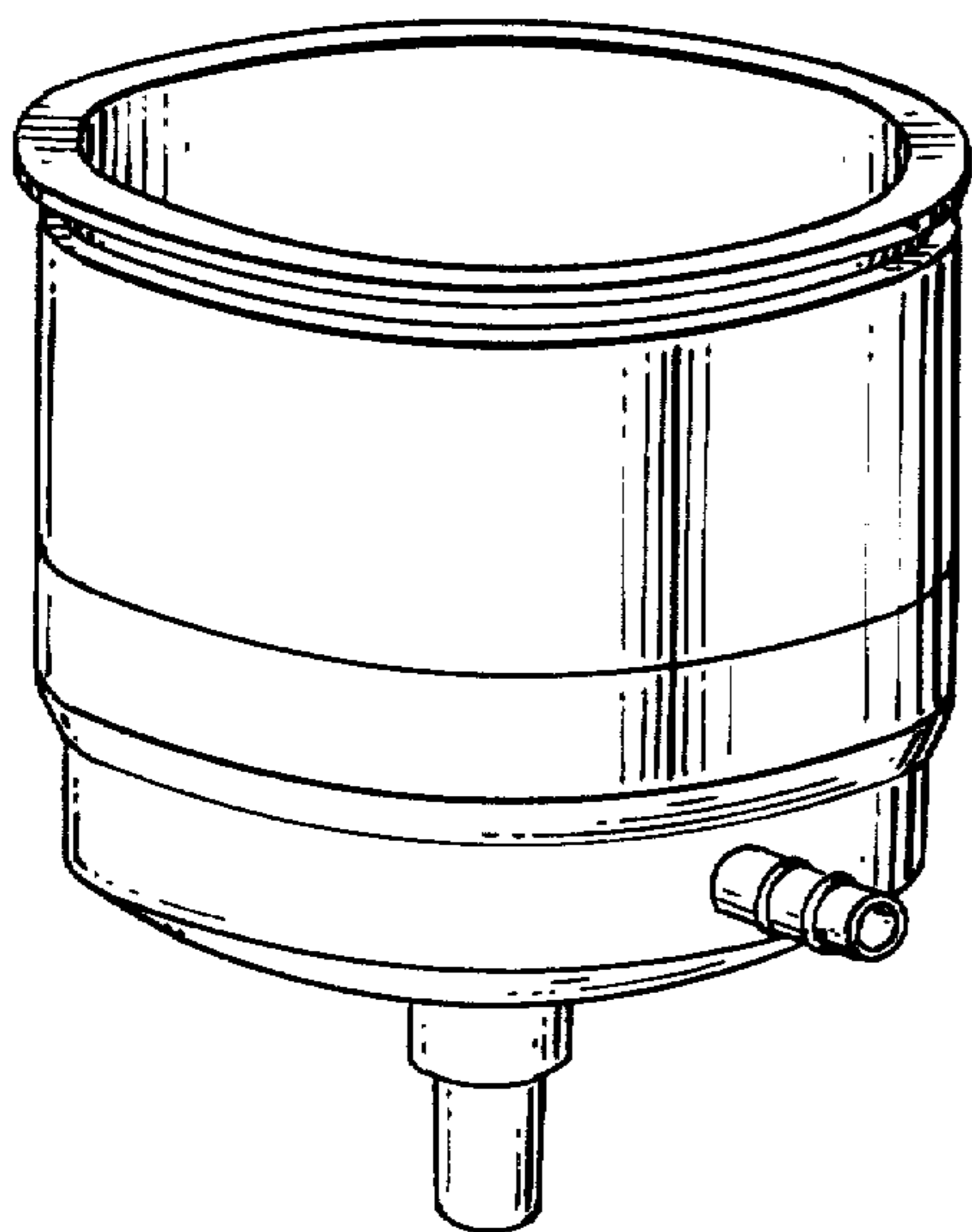


FIG. 3.

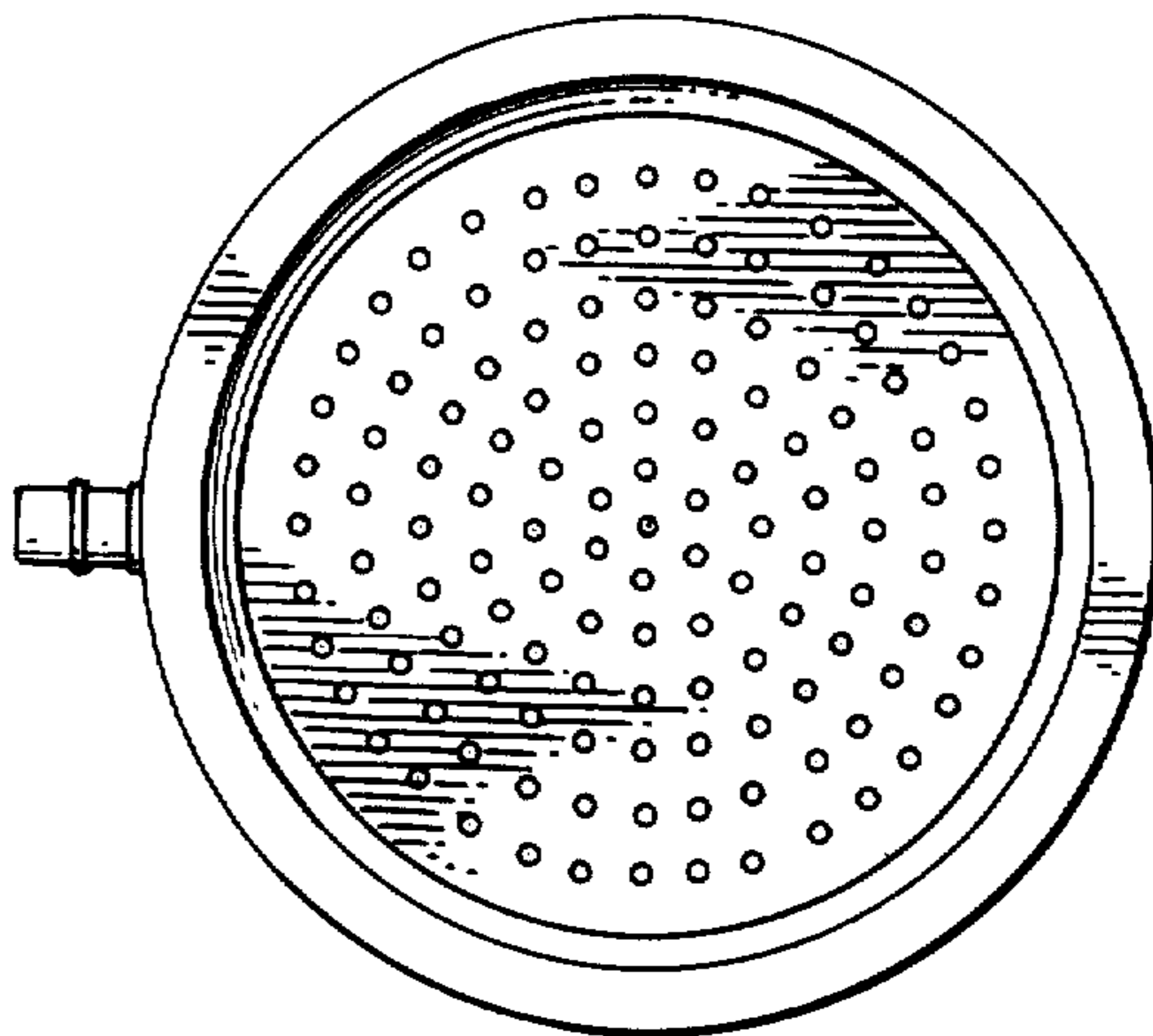


FIG. 2.

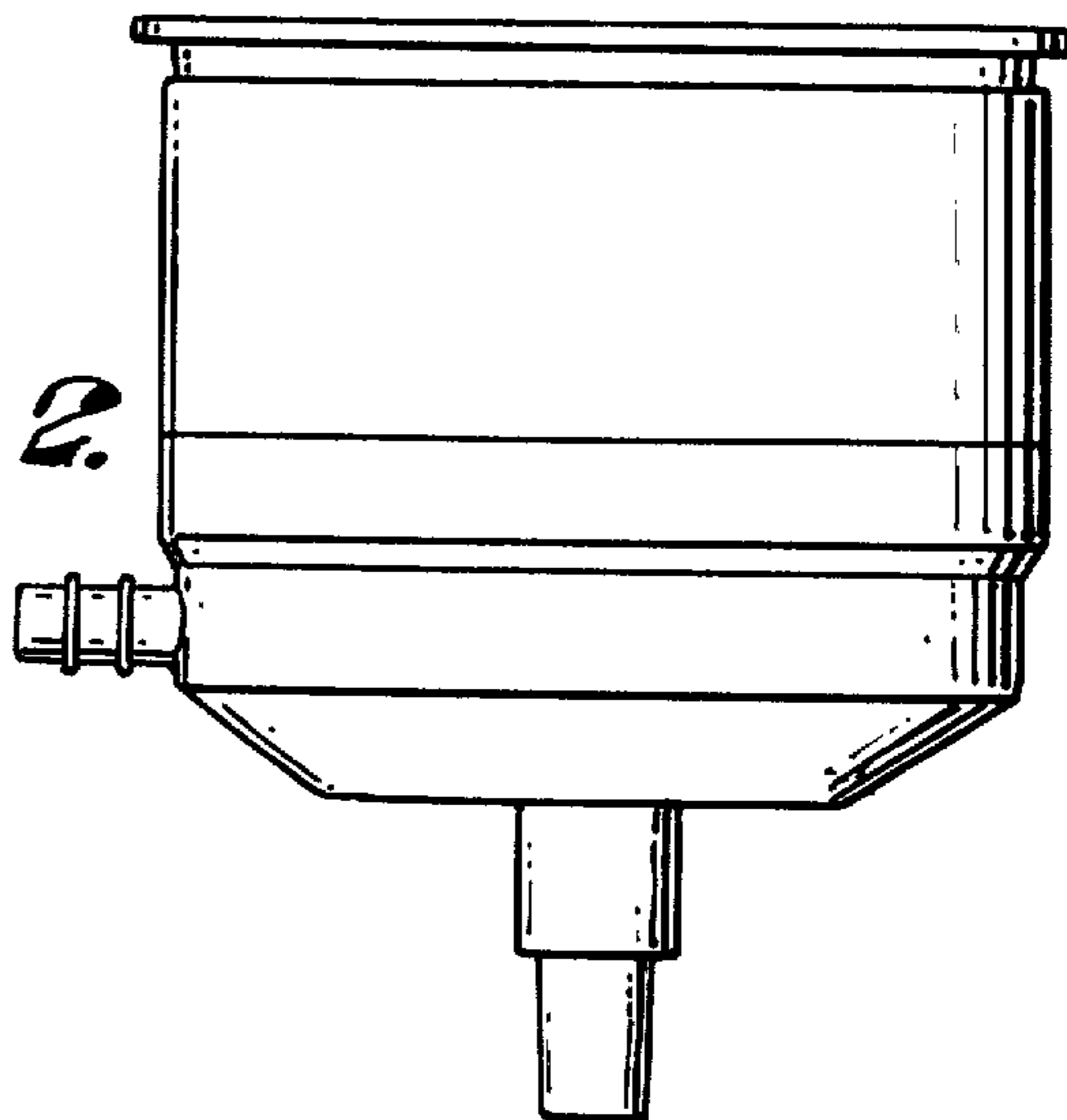


FIG. 4.

